

Model#

P04003418N1A

2-way, Guided Pilot Diaphragm solenoid valve, Normally Closed

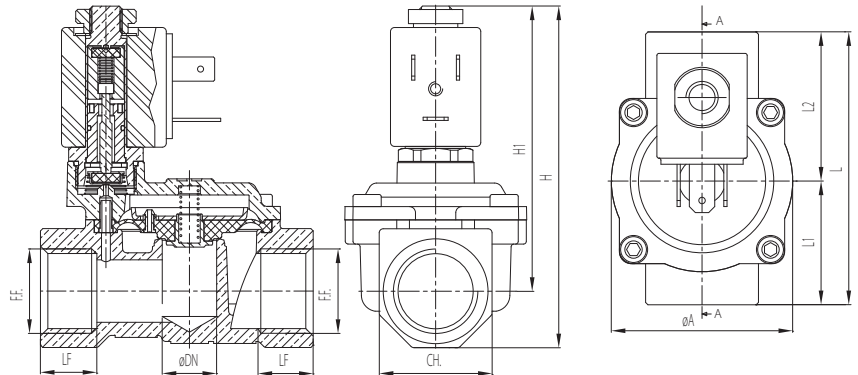
Technical Specifications

| | | |
|---------------------|-------------------------------|---------------------|
| Pipe Size (Inch) | Orifice Size (Inch) | Flow Factor (CV) |
| 3/4" | 11/16" | 6.7 |
| Voltage | Power | Min. Pressure (PSI) |
| 120VAC | 11.5VA | 3 |
| Temperature Range | Medium Examples | Sealing Material |
| -4° - 194° F | Light Oils, Air, Water | NBR |



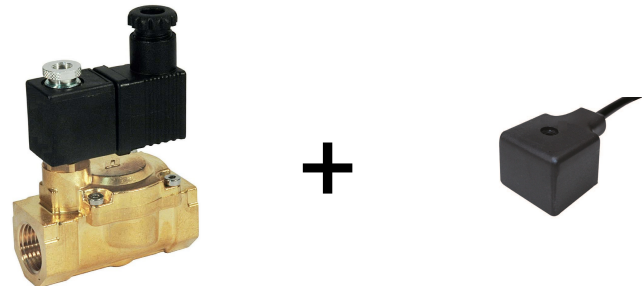
Valve Dimensions

| | |
|--------|----------|
| (F.F): | 3/4" |
| (DN): | 11/16" |
| (L): | 2 15/16" |
| (L1): | 1 9/16" |
| (L2): | 1 3/8 " |
| (ØA): | 2 1/8" |
| (LF): | 1/2" |
| (H1): | 2 15/16" |
| (H): | 3 9/16" |
| (CH): | 1 5/16" |



Electrical Connection

| | |
|--------------------------|---------------|
| Rating: | NEMA 4/ IP 65 |
| Strain Relief Connector: | Model 040 |



Note: Valve is pictured above with a sample coil, which may or may not reflect exact specifications of this particular build.