

OptiPure™

Snapshot

The QT-1+ is a dual-cartridge water treatment system with two 15" Qwik-Twist cartridges that reduces sediment down to 0.5-microns and reduces chlorine, taste & odor at a flow rate of 2.25 gpm for 22,500-gallons. The system includes a 5-micron pre-filter for added protection on water supplies with excessive dirt and sediment.

System Benefits

- Improves the quality and consistency of cold and hot beverages.
- Reduces maintenance frequency and cost, and extends equipment life.
- Gradient-density sediment filtration protects against dirt, rust and other debris down to 0.5-microns.
- Additional 5-micron pre-filter provides further protection on water supplies with excessive sediment.
- High-capacity activated-carbon filtration makes water taste great and protects equipment against corrosive chlorine.
- Sturdy, powder-coated mounting bracket and full-flow inlet shut-off valve simplify installation.
- Built-in pressure gauge allows visual monitoring of when filters need to be changed.
- Inlet shut-off valve makes filter replacement quick and simple.
- Utilizes Qwik-Twist cartridges that make changing filters quick, easy and sanitary.
- NSF Certified under Standard 42.

Model: **QT-1+**
Part #: 160-52051

ITEM #: _____ QTY: _____
JOB NAME/NUMBER _____



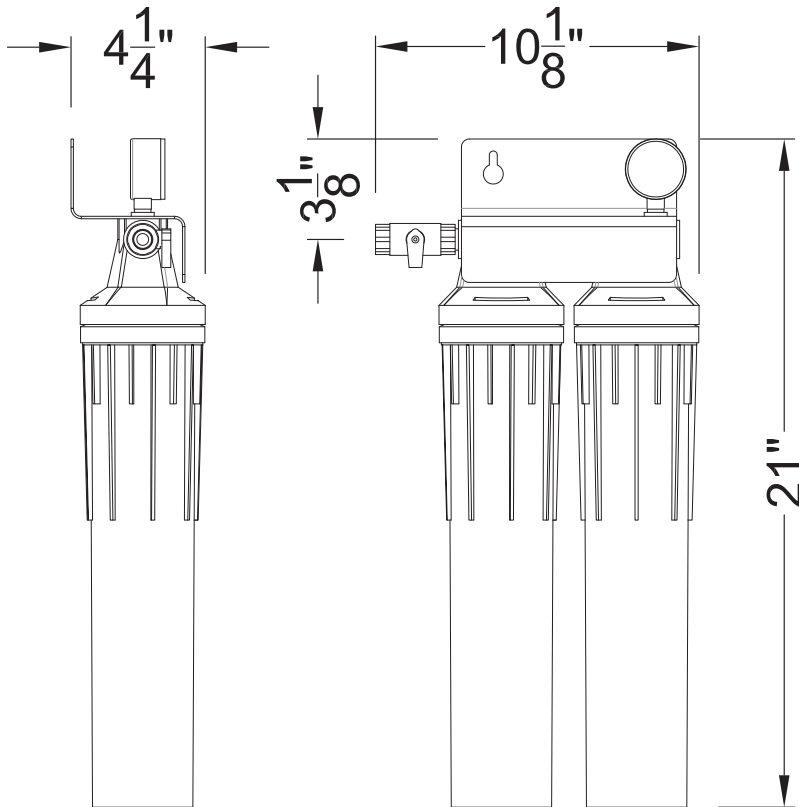
Application

FOUNTAIN BEVERAGES - Single carbonator. Includes QT pre-filter for water supplies with high turbidity levels.

COFFEE & TEA - Applications where water hardness is not a problem.

Installation Tips

- Feed-water connection to system should be COLD only.
- Do not exceed system specifications for temperature and pressure.
- Allow 3" clearance below system for filter cartridge removal and replacement.
- Detailed installation, operation and maintenance manual included with each system.
- No activation procedure or flushing required for system to perform as specified.



System Tested and Certified by NSF International against NSF/ANSI Standard 42 Aesthetic Effects - Particulate Reduction (Class I) and the reduction of Chlorine, Taste and Odor.



WARNING:
Cancer and Reproductive Harm -
www.P65Warnings.ca.gov.

► Warranty

All system components and assembly except for filter cartridges, separation membranes, permeate pumps, electric motors, diaphragm pumps, and rotary vane pumps shall be warranted against defects in workmanship for a period of 60 months from the date of original shipment. For complete warranty information, contact OptiPure customer service or go to www.optipurewater.com.

Dealer/Distributor Info:

► Specifications

| System | |
|---|------------------------------|
| Dimensions (Height x Width x Depth, Inches) | 21"h x 10.1"w x 4.3"d |
| Connection - Inlet & Outlet | 3/8" FNPT |
| Operating Pressure Range | 10 - 125 psi (0.7 - 8.6 bar) |
| Inlet Water Temperature Range | 35° - 100° F (2° - 38° C) |
| Shipping Weight | 12 lbs. |
| Performance | |
| Chlorine, Taste and Odor Reduction Capacity | 22,500 gals. (85,162 L) |
| Service Flow Rate | 2.25 gpm (8.50 lpm) |
| Sediment Reduction | 0.5 microns (nominal) |

► Replacement Cartridge(s)

| Model | Part Number | Qty |
|-------|-------------|-----|
| S5-Q | 300-05802 | 1 |
| CTO-Q | 300-05830 | 1 |

► Options

| Model | Description | Part Number |
|-----------------|--------------------|-------------|
| Flush Valve Kit | QT Flush Valve Kit | 160-52912 |
| Gauge Kit | QT Gauge Kit | 160-52904 |

It is recommended that pre/post-filters and mineral addition cartridges are changed every 6 months, when capacity is reached or when feedwater pressure or flow becomes inadequate.

Membrane life varies depending on feedwater conditions and pre-filter maintenance. It is 12-18 months under typical conditions, but it can be as long as 3-5 years.

This product is for commercial use only and must be installed and maintained according to manufacturer's guidelines.

Do not use on water that is microbiologically unsafe or of unknown quality without adequate disinfection before or after the system.

OptiPure, A Division of Aquion, Inc.

101 S. Gary Ave., Suite A
Roselle, IL 60172

p: 972.881.9797 e: info@optipure.net
www.optipurewater.com