

950 SERIES | GENERAL PURPOSE VALVE



GENERAL INFORMATION

Valve Highlights

- 3/4" and 1" NPT ports
- Normally open and normally closed options available
- Solenoid piloted diaphragm valve
- Manual solenoid override
- Optional flow control feature available

Component Material Combinations

- Brass base nut is standard
- Stainless steel nut is optional
- Copper shading ring in AC units
- Internal components are stainless steel
- Valve body material: Glass filled nylon

Connection Types

- 1/4" spade
- Lead wires
- 1/2" conduit male
- 1/2" conduit female

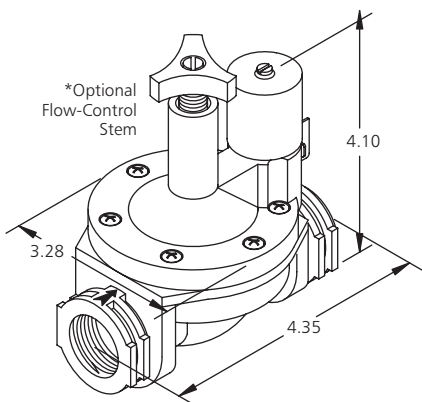
Electrical Characteristics

- Standard coil class: A (221°F/105°C)
- Power consumption: 5 watts AC, 6 watts DC
- DC voltages: 12, or 24
- AC voltages: 12, 24, 120, or 240
- UL certification on "A" and "I" connection options

Operating Characteristics

- Operating temperature range: Up to 120°F/49°C
- Operating pressure: 10 – 150 PSI
- Max fluid temperature: 180°F/82°C
- 3/4" port max flow: 40 GPM at 150 PSI
- 1" port max flow: 45 GPM at 150 PSI

DIMENSIONAL DRAWING [INCHES]

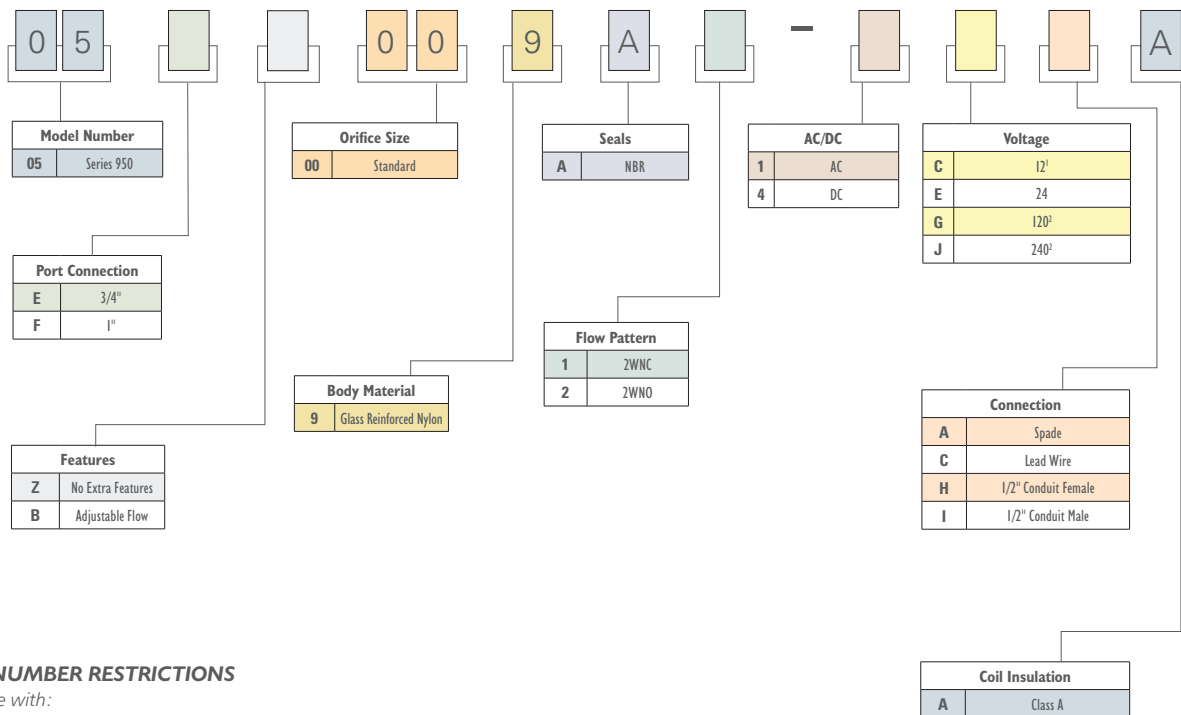


MODES OF OPERATION



See page 74 for details on modes of operations.

PART NUMBER SELECTION GUIDE FOR SERIES 950



PART NUMBER RESTRICTIONS

Available with:

¹DC only, ²AC only