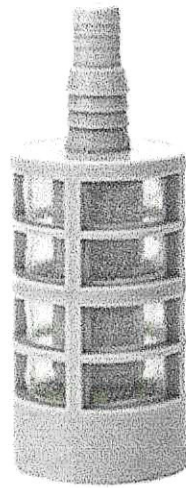
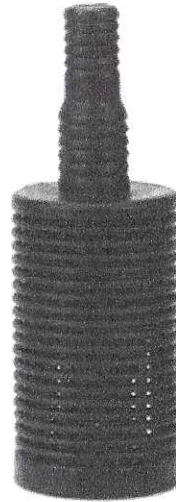




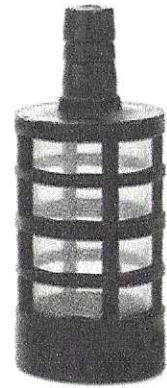
85.300.050



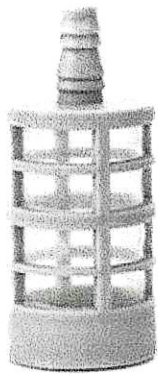
D4003



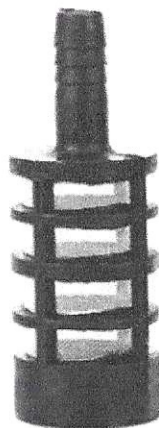
DD5003



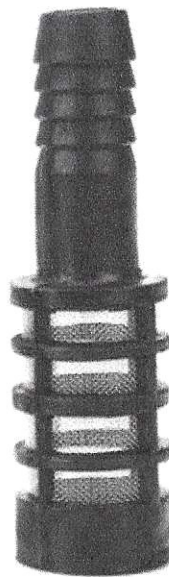
D-4006



D4006-2



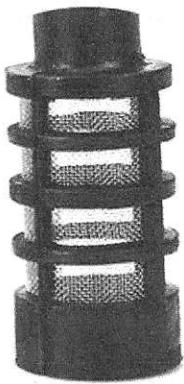
D4002



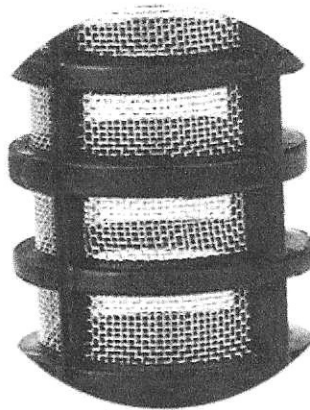
33-103122



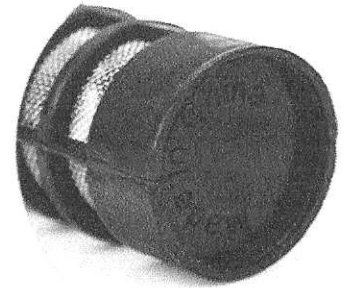
33-103121



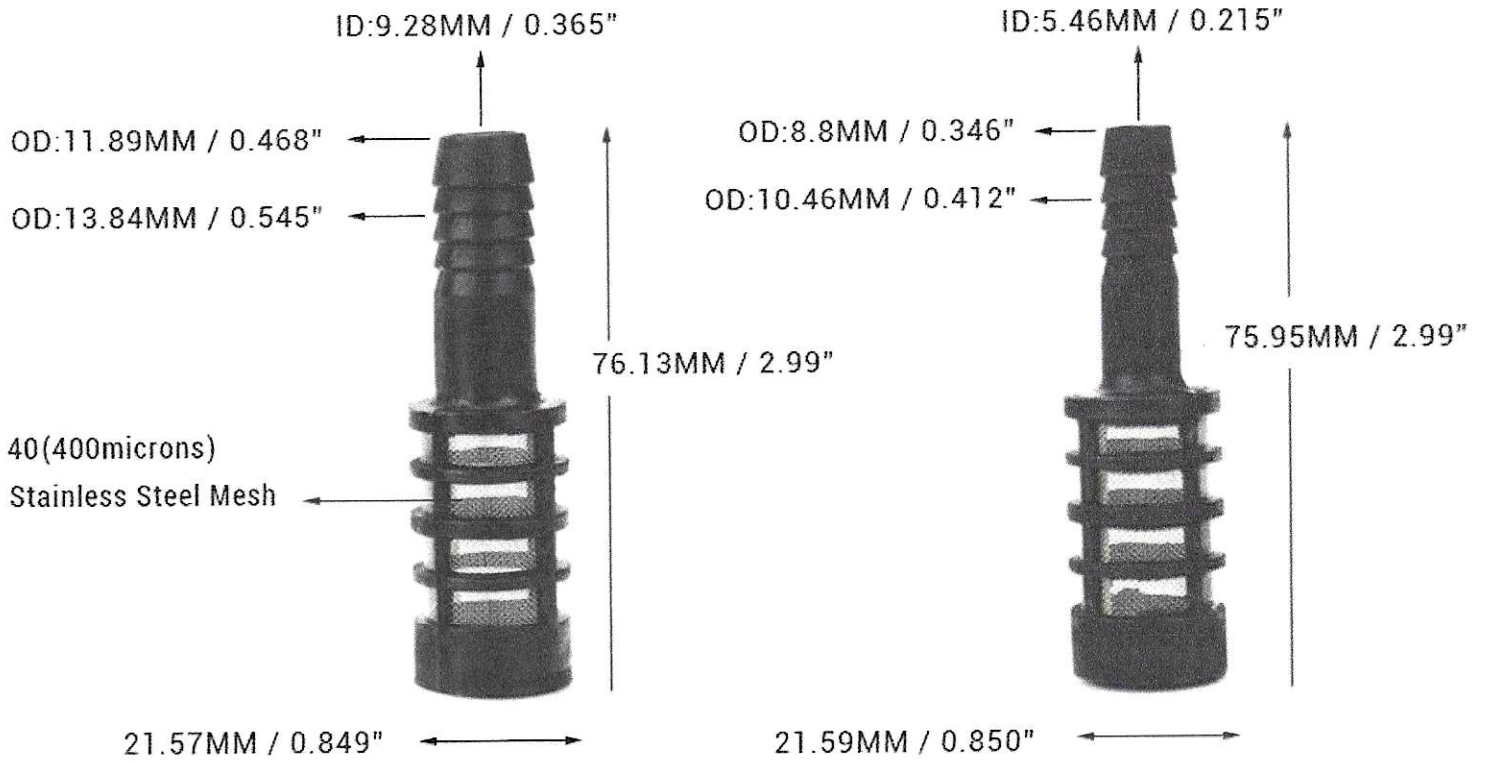
Housing Material:Nylon



304 Stainless Steel Mesh
Mesh Size:60,customizable.



End Cap Material:Nylon

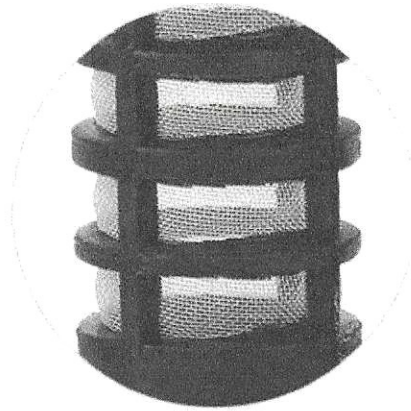


33-103122

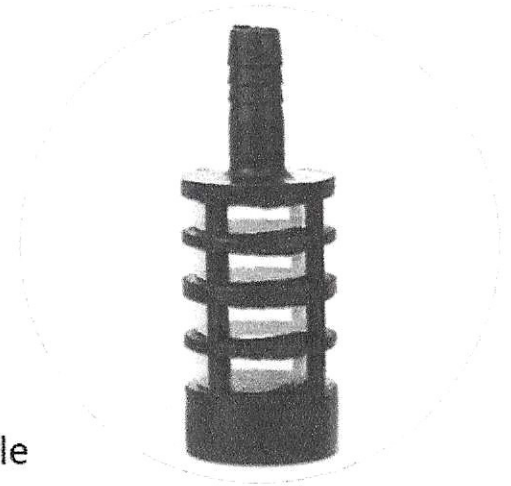
33-103121



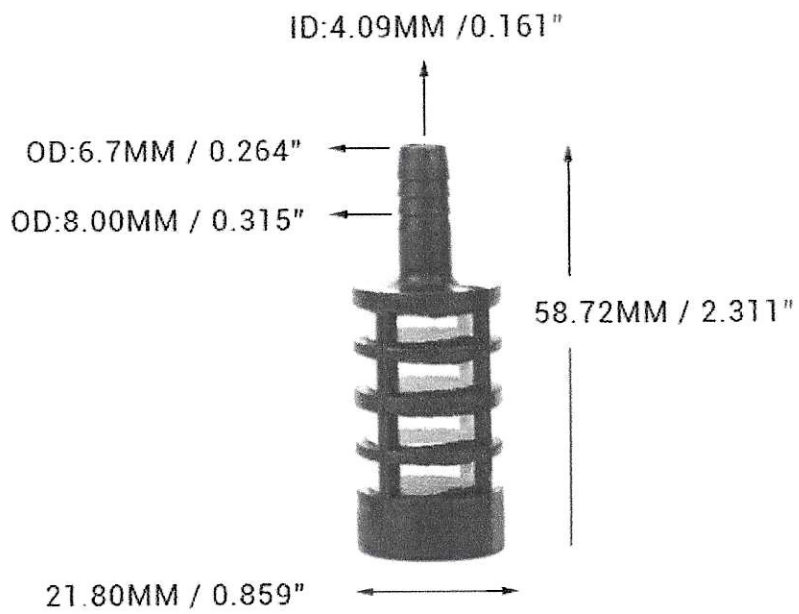
End Cap Material:Nylon



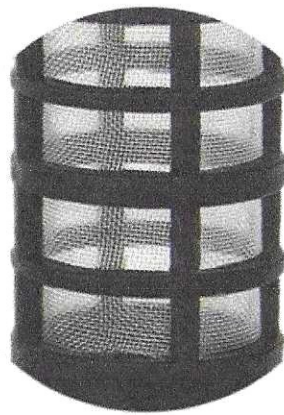
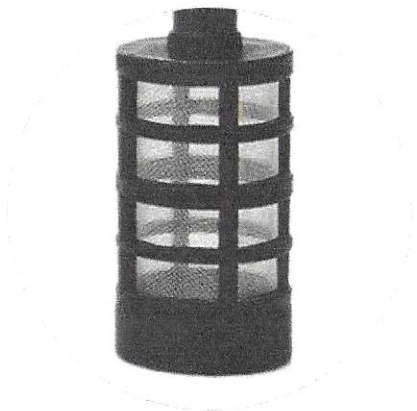
Nylon Mesh
Mesh Size:80, Customizable



Housing Material:Nylon



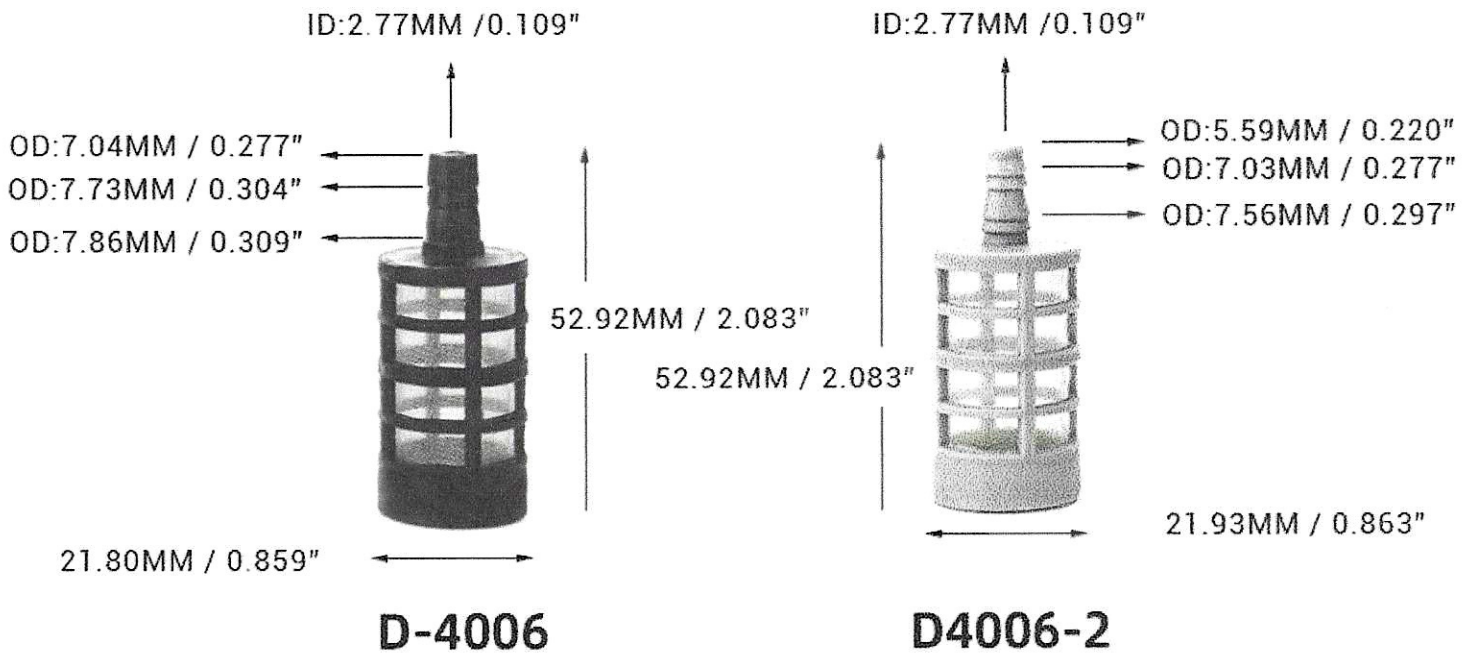
D4002

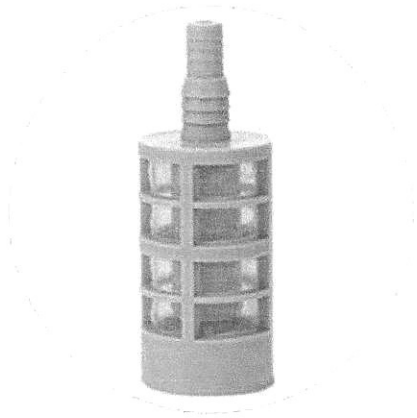


Nylon Mesh
Mesh Size:80, Customizable

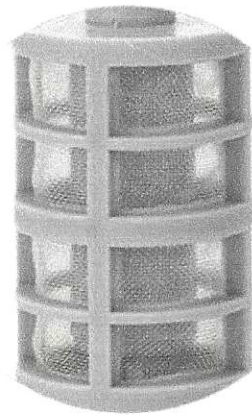
Housing Material:Nylon

End Cap Material:Brass

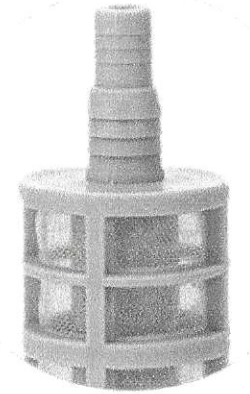




Housing Material:Nylon

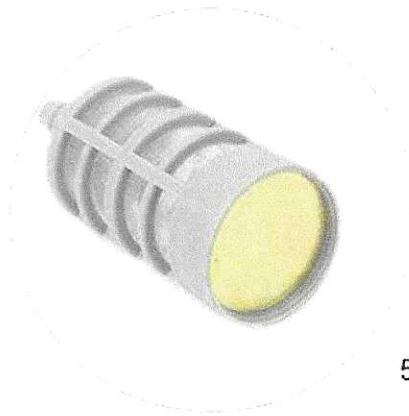


Nylon Mesh
Mesh Size:80, Customizable



Check Valve Inside

ID:3.25MM / 0.128"



End Cap Material:Brass

57.98MM / 2.282"

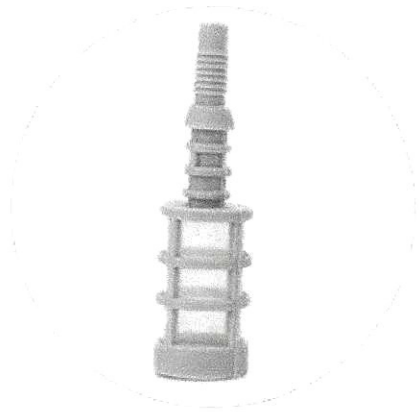


OD:6.29MM / 0.247"

OD:7.94MM / 0.314"

21.84MM / 0.863"

D4003



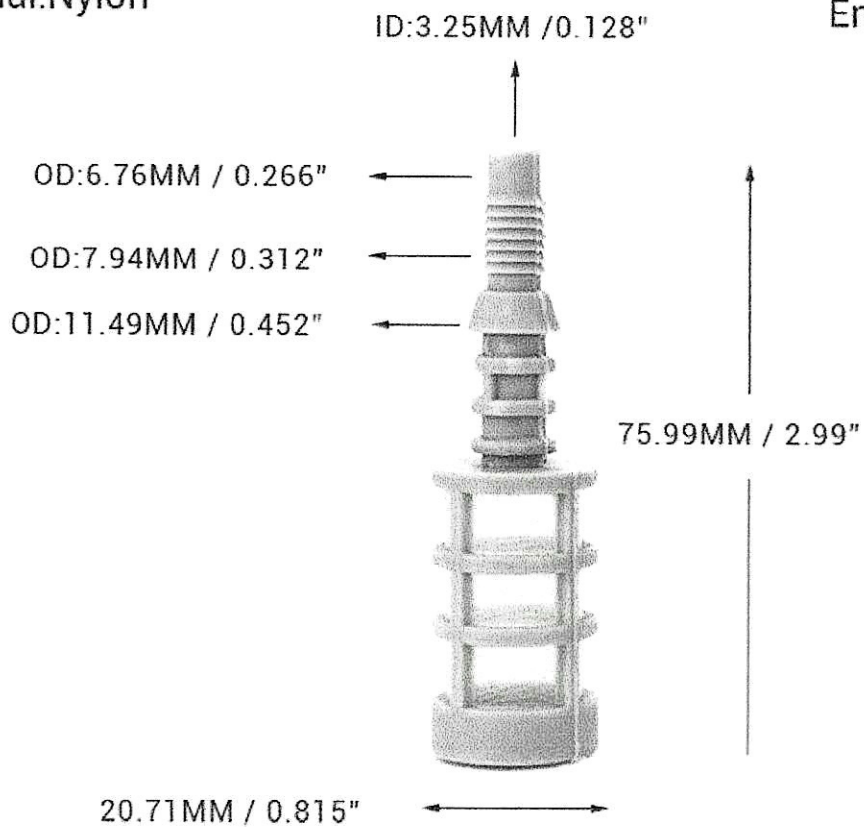
Housing Material:Nylon



Nylon Mesh
Mesh Size:80, Customizable



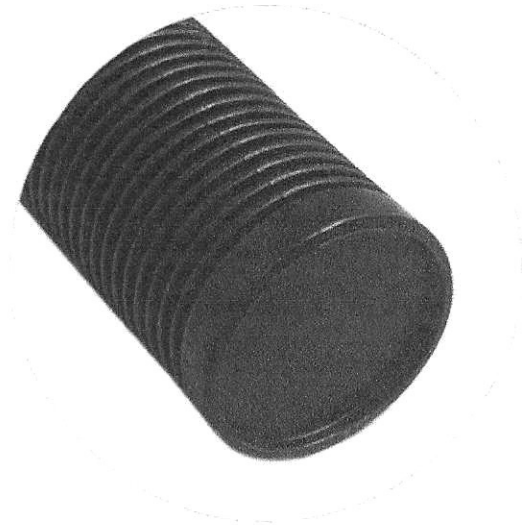
End Cap Material:Nylon



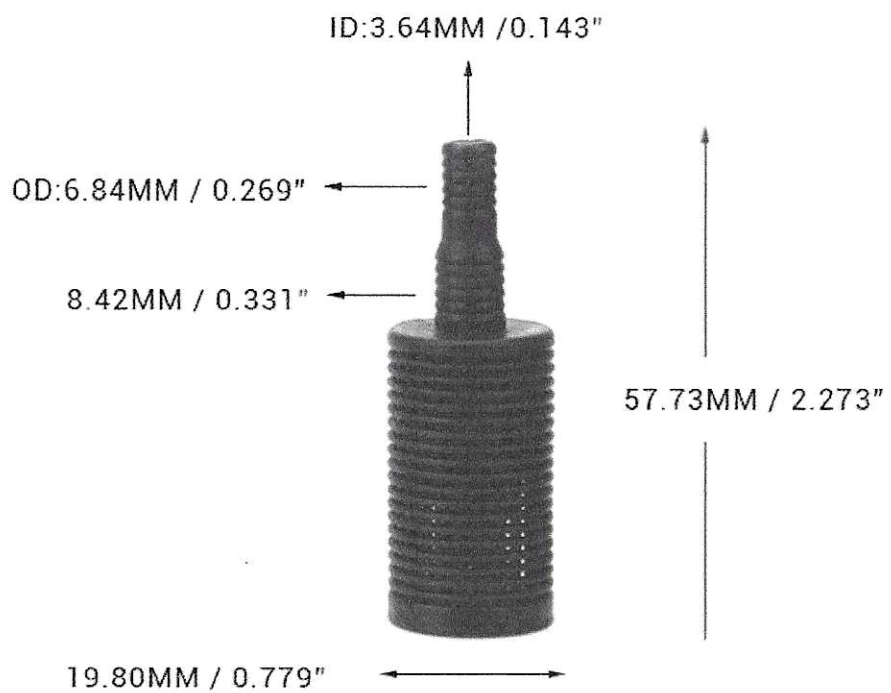
85.300.050



Housing Material:Nylon



End Cap Material:Nylon



DD5003