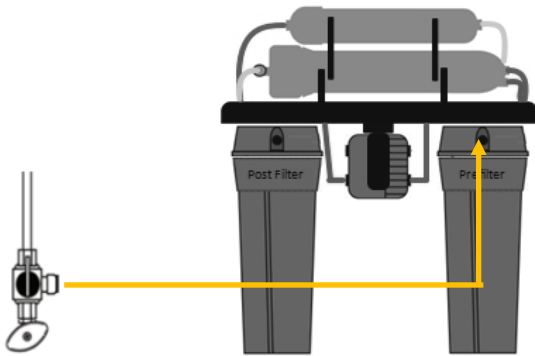




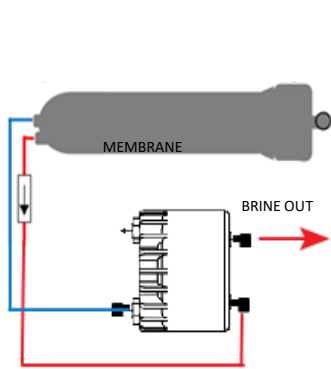
# PRO-41000-A Series Quick Step Installation Guide

\*Refer to owners manual for more detailed instruction



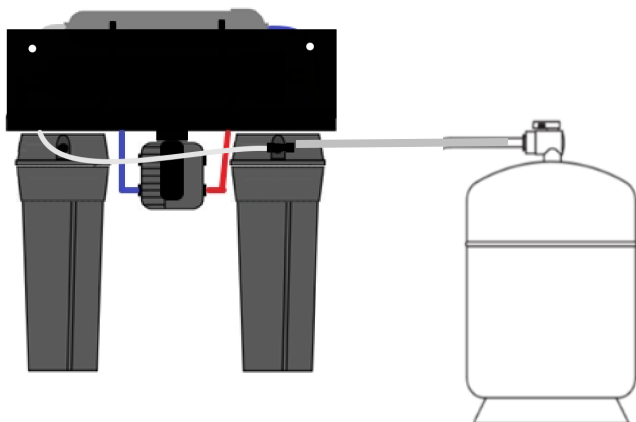
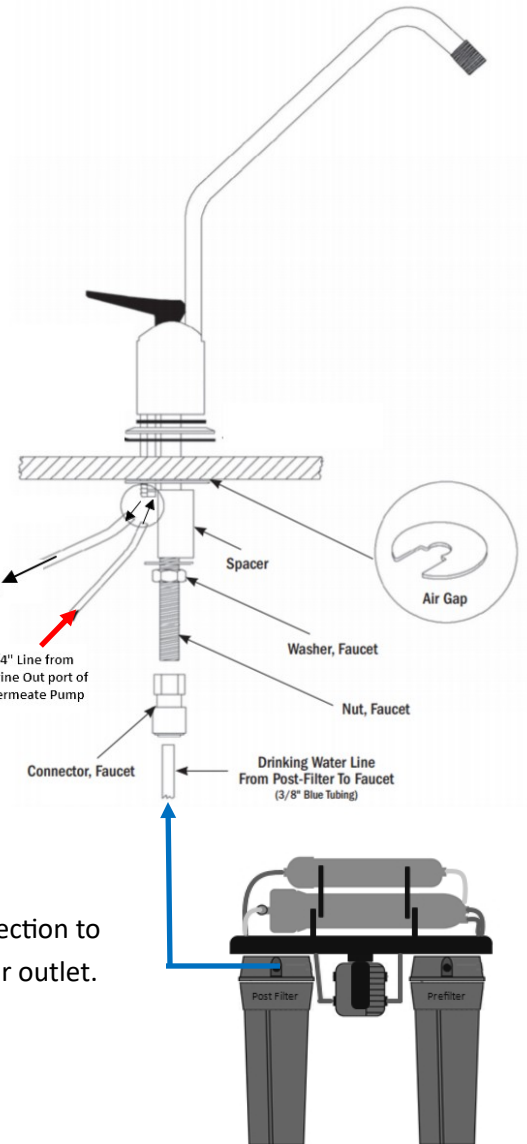
1. The RO system is fed by connecting the angle stop adapter to the cold supply line under the sink. This connects directly to the prefilter inlet

2. Faucet and drain connections. 1/4" line from the BRINE OUT port of permeate pump connects to the smaller barb at the base. The larger barb connects to 3/8" line that runs to the drain saddle attached to the drain line. Make sure that this run is as straight as possible without loops or dips. Excess tubing here could result in water coming out of air-gap hole on the base of faucet body.



3/8" Line connects to drain saddle  
1/4" Line from Brine Out port of Permeate Pump

3. Drinking water connection to faucet is from post filter outlet.



4. The tank connects with the tee installed on the post filter outlet on the back side of the unit.
5. Install Membrane into the membrane housing.
6. Remove pre and post filters from their housings, remove shrink wrap then reinstall