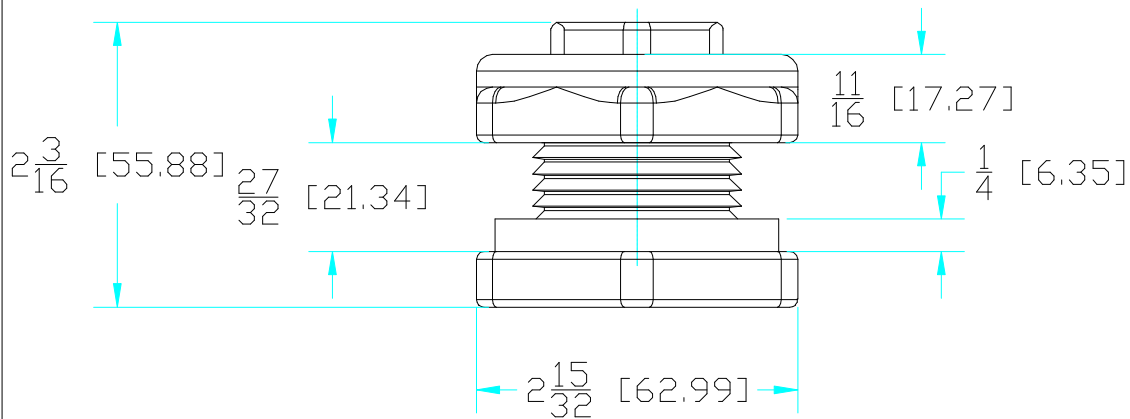
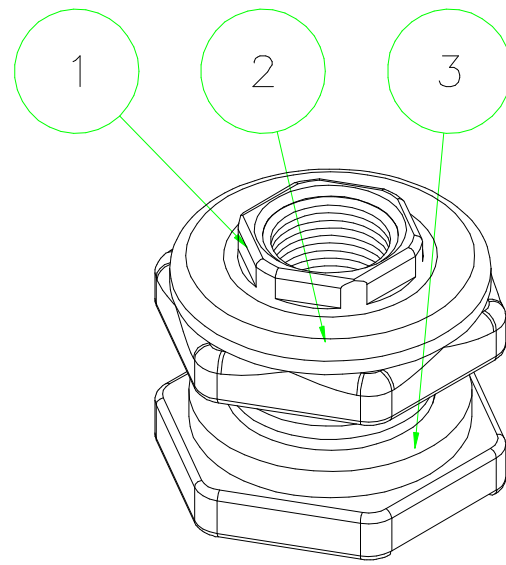


Parts List			
Item	Qty	Name	Material
1	1	TF071	Polypropylene
2	1	TF073	Polypropylene
3	1	150G	EPDM



THIS DRAWING AND ALL INFORMATION CONTAINED THEREIN ARE THE EXCLUSIVE PROPERTY OF BANJO CORPORATION. UNLESS SPECIFICALLY NOTED, THIS DRAWING AND ITEMS SHOWN ON THIS DRAWING ARE SUBJECT TO CHANGE AT ANY TIME.



BANJO CORPORATION  
150 BANJO DR. \* CRAWFORDSVILLE, IN 47933

PART NO. TF075

TITLE 3/4" NPT Tank Fitting