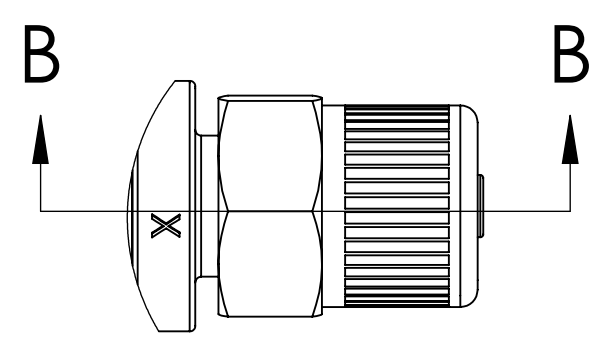
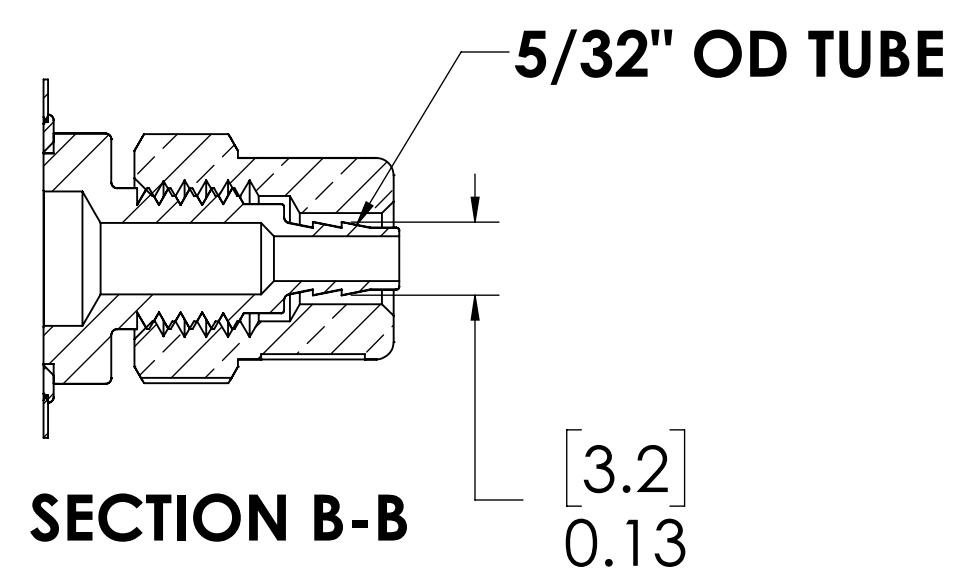


REVISIONS						
SHEET	ZONE	REV.	ECO	DESCRIPTION	DATE	APPROVED
1	ALL	A	50242	PIN, PIN SPRING & 2017 FORMAT UPDATE	6/28/2018	HRC

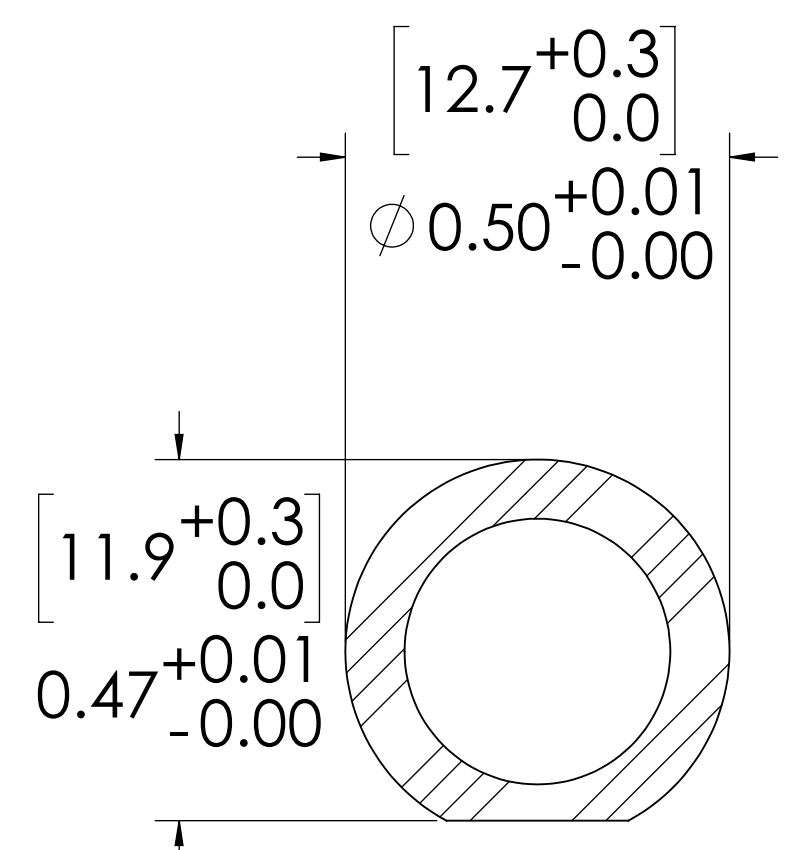
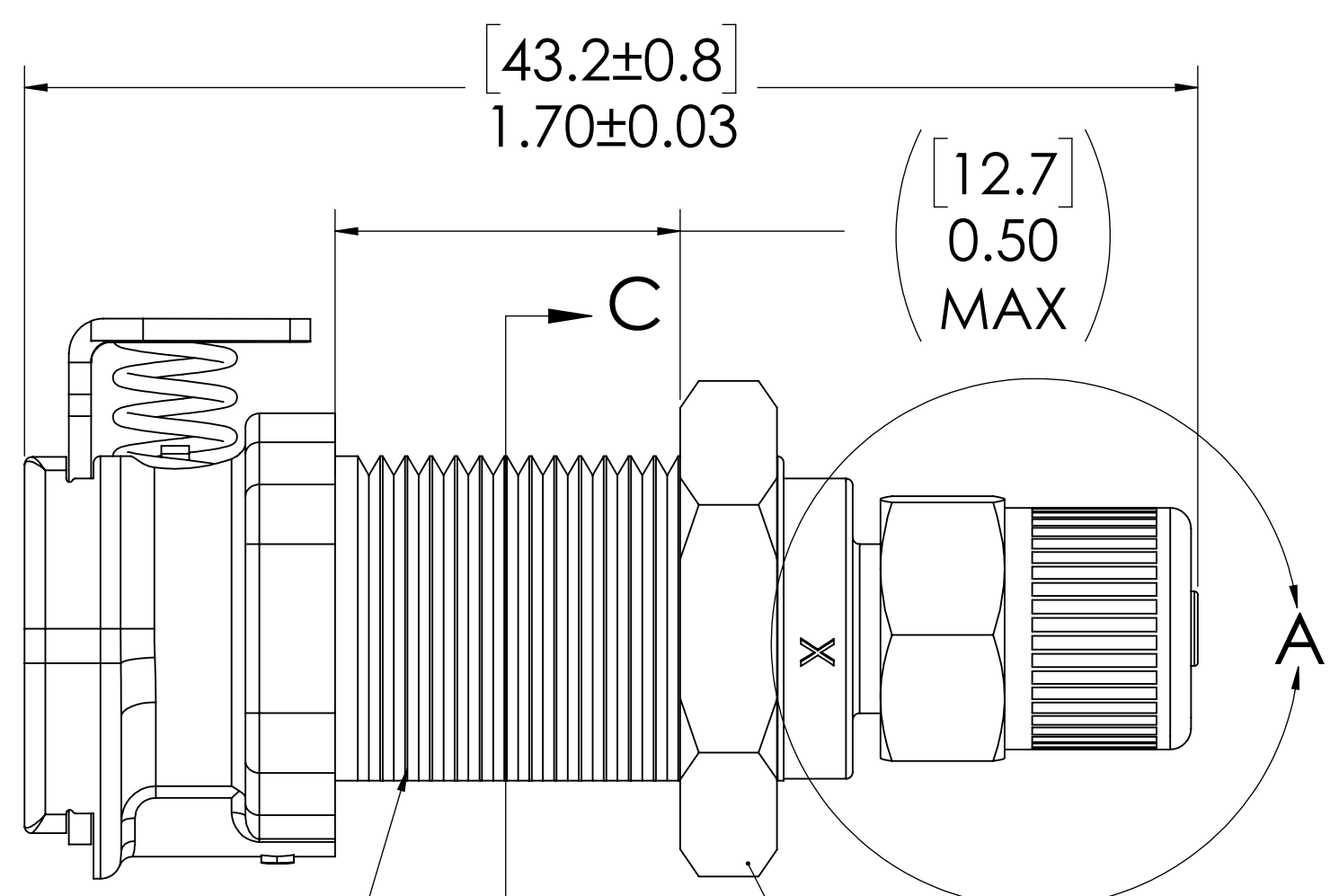
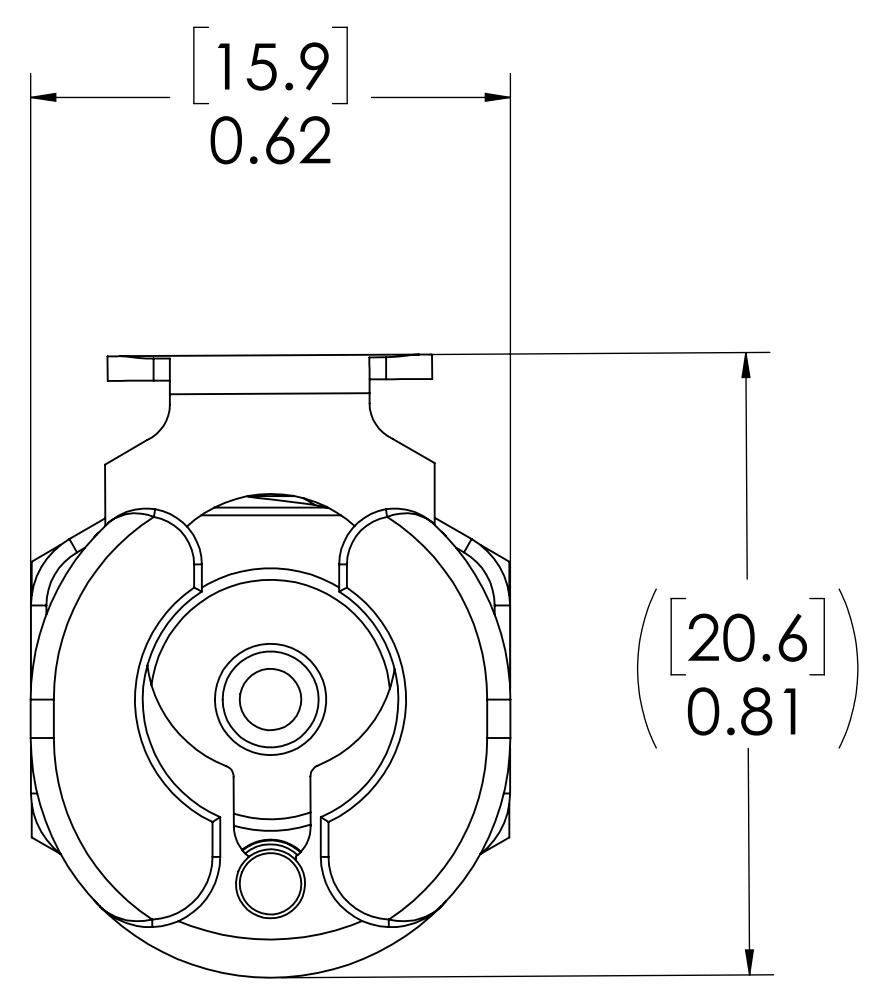
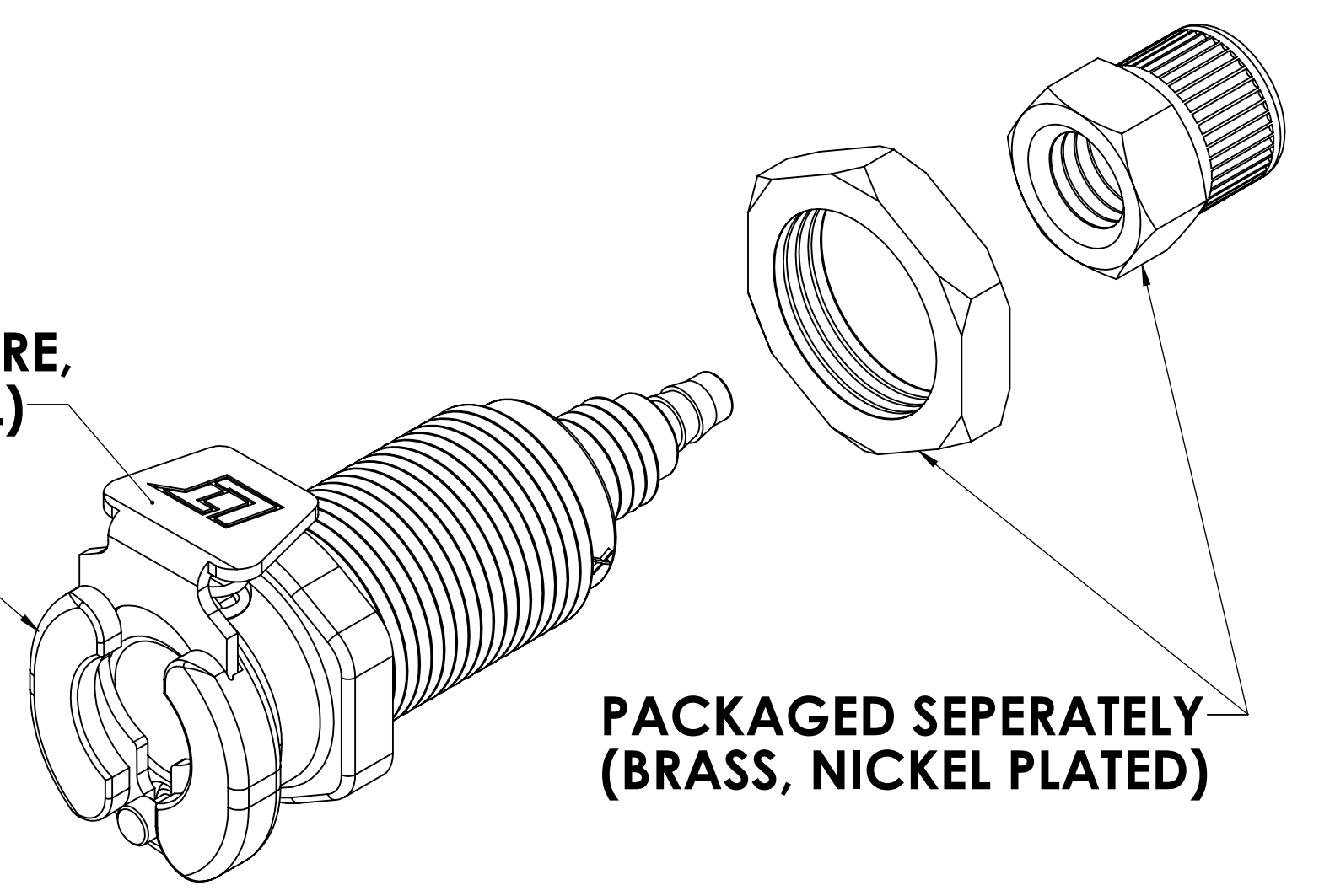


DETAIL A



**LATCH HARDWARE,
(STAINLESS STEEL)**

**SOCKET
(ACETAL)**



**PANEL OPENING
(SECTION C-C)**

**PANEL NUT
(BRASS, NICKEL
& CHROME PLATED)
(PACKAGED SEPARATELY)**

- NOTES:**
- MATERIAL: ACETAL
 - COLOR: NATURAL WHITE

FOR REFERENCE ONLY

<small>UNLESS OTHERWISE SPECIFIED: DIMENSIONS ARE IN INCHES TOLERANCES: FRACTIONAL ± 1/32 ANGULAR: MACH ± 0.5 BEND ± 2 ONE PLACE DECIMAL ± 0.1 TWO PLACE DECIMAL ± 0.01 THREE PLACE DECIMAL ± 0.005 TWO PLACE DUAL (mm) [±0.12]</small>	DRAWN	CBH	8/22/2017	
	CHECKED	HRC	8/22/17	
	ENG APPR.	HRC	6/28/18	
	MFG APPR.	BDB	6/28/18	
PRODUCTION	LS	6/28/18		PART NO: 20AC-S8-025 <small>DESCRIPTION: LinkTech 20AC Series Panel Mt. Female, Non-valved, 5/32" PTF, Natural Acetal</small>
<small>PROPRIETARY AND CONFIDENTIAL THE INFORMATION CONTAINED IN THIS DRAWING IS THE SOLE PROPERTY OF LINKTECH LLC. ANY REPRODUCTION OR DISCLOSURE IN PART OR AS A WHOLE WITHOUT THE WRITTEN PERMISSION OF LINKTECH LLC IS STRICTLY PROHIBITED.</small>				<small>COMMENTS:</small>
<small>SIZE DWG. NO.</small> C 20AC200104		<small>REV</small> A		<small>SCALE: NTS WEIGHT:</small>
			<small>SHEET 1 OF 1</small>	