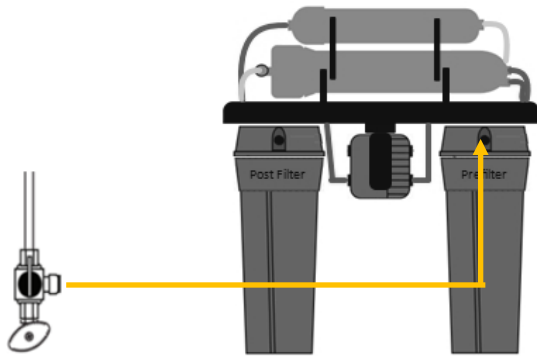




PRO-43000-A Series Quick Step Installation Guide

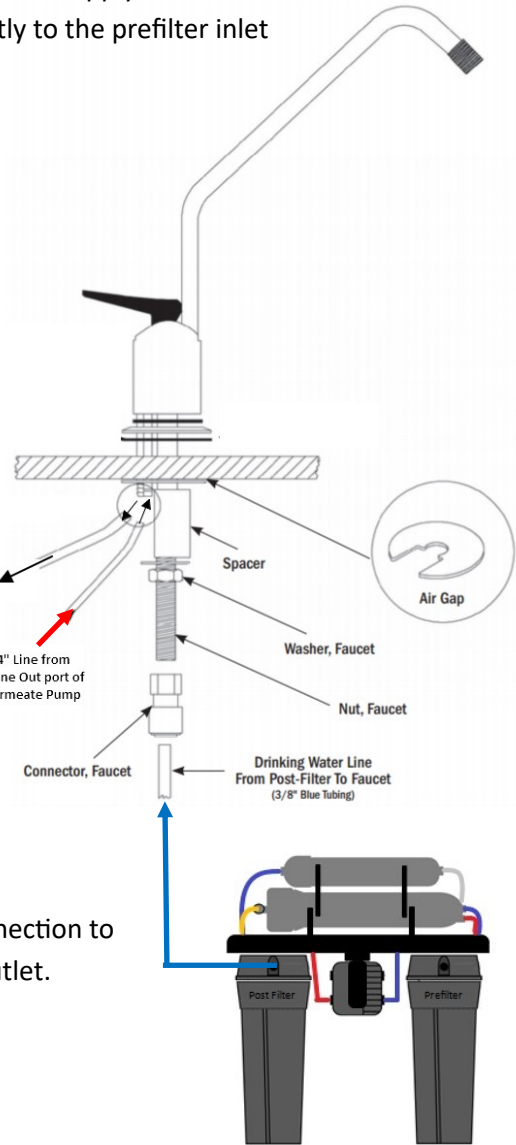
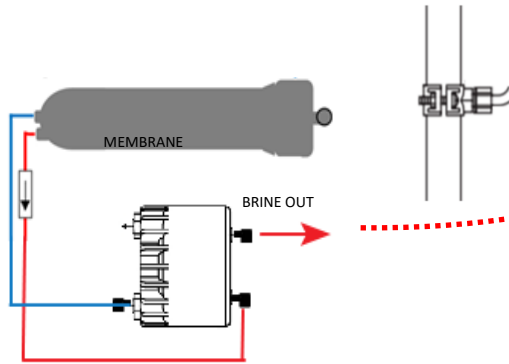


*Scan QR Code to refer to owner's manual for detailed instruction

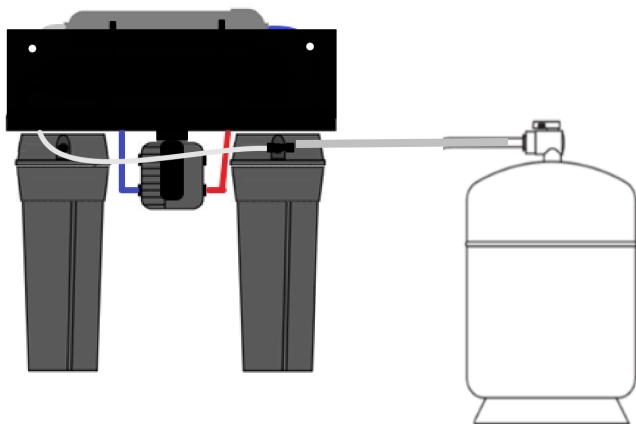


1. The RO system is fed by connecting the angle stop adapter to the cold supply line under the sink. This connects directly to the prefilter inlet

2. Faucet and drain connections. 1/4" line from the BRINE OUT port of permeate pump connects to the smaller barb at the base. The larger barb connects to 3/8" line that runs to the drain saddle attached to the drain line. Make sure that this run is as straight as possible without loops or dips.



3. Drinking water 3/8" connection to faucet is from post filter outlet.



4. The tank connects with the tee installed on the post filter outlet on the back side of the unit.
5. Install Membrane into the membrane housing.
6. Remove pre and post filters from their housings, remove shrink wrap then reinstall

Reverse Osmosis Drinking Water System PRO-43000-A



Residential / Commercial Filtration Applications

Standard Features

- Included Permeate Pump reduces water to drain by 75-80% and allows the membrane to produce consistent quality water faster
- Remineralization cartridge raises alkalinity and pH while reintroducing amounts of beneficial calcium back into the water
- Select from 3 membrane output capacities. 25, 50 and 75 gpd
- Select from two tank sizes to have the storage capacity needed for the application. Available in 3.2 and 4.5 gallons
- Replacement membranes and cartridges are industry standard sizes keeping the on-going maintenance costs minimal as well as ecologically responsible. Only the cartridges are thrown away not the plastic housings keeping the burden out of our landfills.



Distributed By:



2299 Ridge Rd., Greenville, SC
P: 888.859.1188 • F: 864.284.1819
NeoLogicSolutions.com • Info@NeoLogicSolutions.com

Questions?

Ask our Service Representatives at:
888.859.1188 Mon.-Fri. 8a-8p,
Sat 8:30a-4:30p EST.

Typical Reductions:

- Arsenic (As5)
- Barium
- Cadmium
- Chromium (6, 3)
- Copper
- Fluoride
- Lead
- Nitrate
- Radium 226/228
- Selenium
- TDS
- Cysts



System SKU	Tank	Membrane	System Description
PRO-43110-A	3.2	25 GPD	High Efficiency RO with 25 GPD membrane and 3.2 gallon tank
PRO-43120-A	4.5	25 GPD	High Efficiency RO with 25 GPD membrane and 4.5 gallon tank
PRO-43310-A	3.2	50 GPD	High Efficiency RO with 50 GPD membrane and 3.2 gallon tank
PRO-43320-A	4.5	50 GPD	High Efficiency RO with 50 GPD membrane and 4.5 gallon tank
PRO-43410-A	3.2	75 GPD	High Efficiency RO with 75 GPD membrane and 3.2 gallon tank
PRO-43420-A	4.5	75 GPD	High Efficiency RO with 75 GPD membrane and 4.5 gallon tank

Application and Operating Parameters			
Water Pressure	40-100 psig (280-690 kPa)	Water Supply	Chlorinated, Chloramines, Non Chlorinated
Temperature	40-100°F (4-38°C)	Turbidity	<1 NTU
pH	4-11 (Optimal at 7.0-7.5)	Iron	< 0.3 ppm (mg/L)
Maximum TDS	2000 ppm / mg/L	Manganese	< 0.05 ppm (mg/L)
Hardness	Less than 10 gpg (171 mg/L)	Hydrogen Sulfide	< 0.001 ppm (mg/L)

CAUTION: Do not use on water that is microbiologically unsafe or of unknown quality without adequate disinfection before or after the unit. For use on potable water only.

Distributed By:



2299 Ridge Rd., Greenville, SC
 P: 888.859.1188 • F: 864.284.1819
NeoLogicSolutions.com • Info@NeoLogicSolutions.com

Questions?

Ask our Service Representatives at:
 888.859.1188 Mon.-Fri. 8:30a-7p,
 Sat 8:30a-4:30p EST.