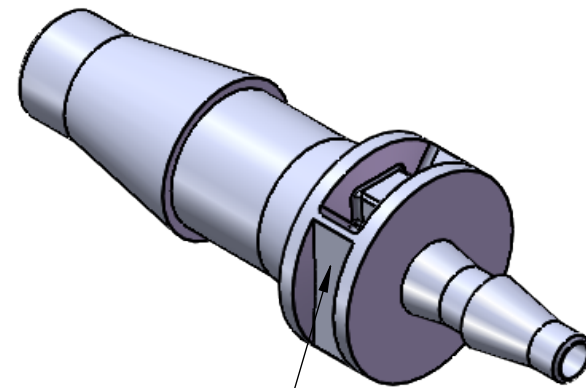
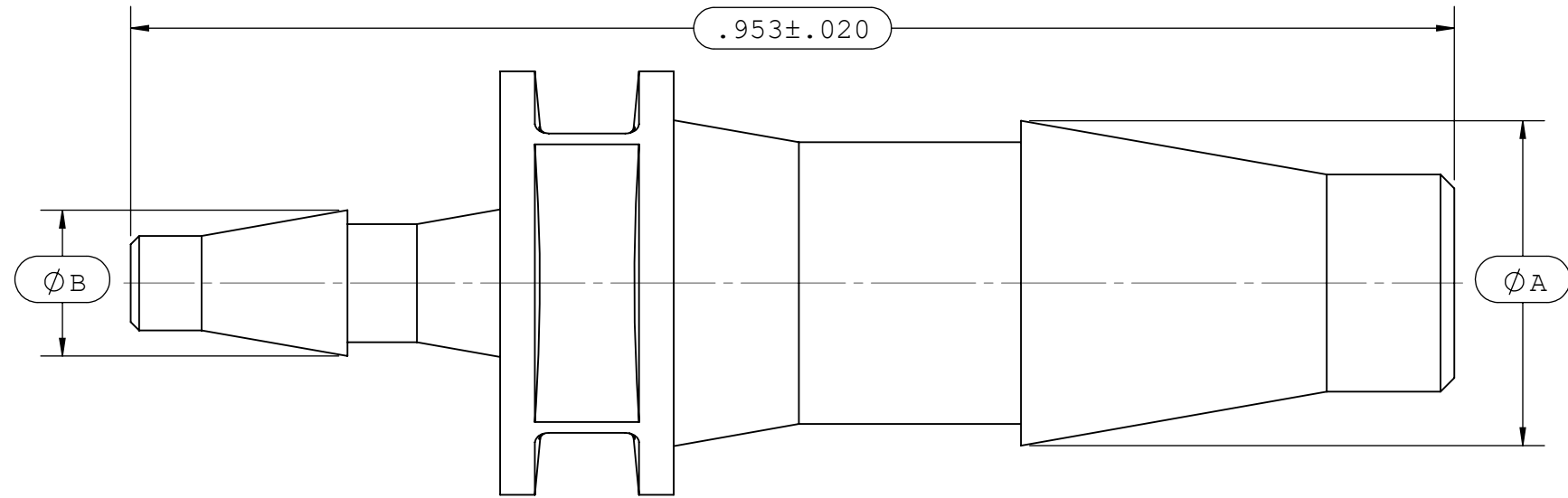
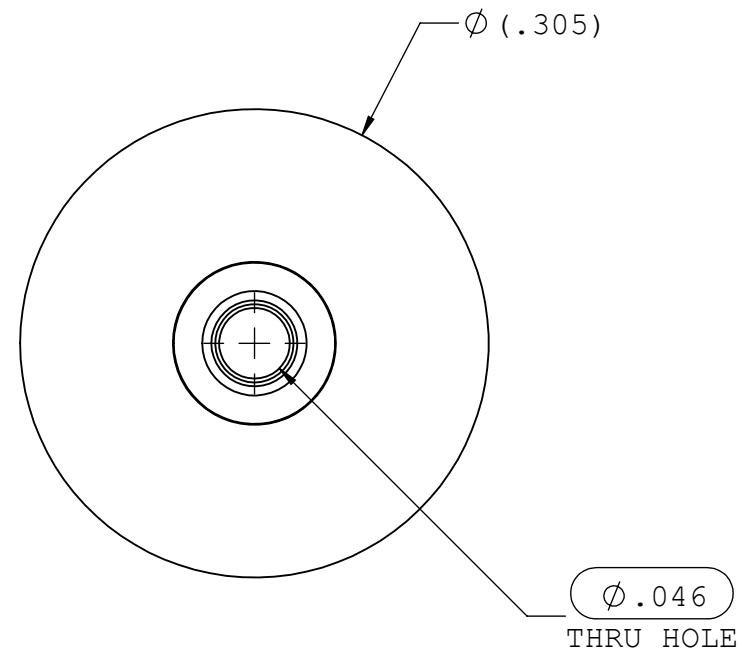


NOTES: FOR ADDITIONAL DETAILS, PLEASE CONTACT VP CUSTOMER SERVICE
 DIMENSIONS MARKED ϕ ARE CONTROL DIMENSIONS

REVISIONS			
REV.	DESCRIPTION	DATE	APPROVED
A	ECO #0036	03/30/01	
B	CO 039 Drafting Update	05-08-06	Rick C.
C	ECO 1081305	09-14-20	FJL



OPTIONAL GATING FEATURE

Dimension	Material Specific Tolerances							
	Acetal	Nylon	PP	ABS	PC	PVC	Polysulfone	J1A
A	0.234	0.234	0.228	0.234	0.234	0.234	0.234	0.228
B	0.105	0.105	0.102	0.105	0.105	0.105	0.105	0.102
C								
D								
E								
F								

UNLESS OTHERWISE SPECIFIED DIMENSIONS ARE IN INCHES TOLERANCES ARE: FRACTIONS DECIMAL ANGULAR \pm .XX \pm .01 \pm 1° \pm .XXX \pm .005 \pm .XXXX \pm .001 DO NOT SCALE DRAWING		VALUE PLASTICS, INC			
DRAWN BY: Frank Lombardi		DATE: 02-11-06		PART NUMBER: 1040	
MANAGER: Rick Cairns		SIZE: B	SCALE: NTS	VER: 	DESCRIPTION: Straight Through Reduction Connector with Classic Series Barbs, 5/32" (4 mm) 1/16" (1.5 mm) ID Tubing
		DWG. NO. 1008261	REV C	SHEET: 1 OF 1	
				© 2014 VALUE PLASTICS, INC	

FOR REFERENCE ONLY