



Olsen Tool  
& Plastics



Pipe, Hose, & Nozzle Fittings  
Catalog Supplement  
2023

Rev. B

# Table Of Contents

Series	Description	Page #
	Table Of Contents	1-2
	Catalog Terms	3-4
	Material Specification Sheet	5
<b>GENERAL FITTINGS</b>		6
"A" Series	Adapter / Male Pipe Thread to Hose Barb	7-10
"AxxF" Series	Female Pipe Thread to Hose Barb	11-12
"B100" Series	Hex Swivel Nut	13-14
"C100" Series	Hose Barb Flat Seat	15-16
"ELxx" Series	Elbow / Male Pipe Thread to Hose Barb	17-20
"ELxxF" Series	Elbow / Female Pipe Thread to Hose Barb	21-22
"ELxxHB" Series	Elbow Adapter / Hose Barb to Hose Barb	23-24
"ELxxSF" Series	Elbow / Female Pipe thread to Short Hose Barb	25-26
"F" Series	Pipe Plug / Hex Head	27-28
"FC" Series	Coupling / Female Pipe Thread to Female Pipe Thread	29-30
"HM" Series	Mender / Hose Barb to Hose Barb Without Stop	31-32
"LL" Series	Elbow, 90 Degrees / Female Pipe Thread by Female Pipe Thread	33-34
"M" Series	Nipple / Male Pipe Thread to Male Pipe Thread	35-36
"Q12" Series	Female Pipe Thread to "Slip On" Hose Barb	37-38
"Q14" Series	Female Pipe Thread to "Slip On" Hose Barb	39-40
"RB" Series	Reducer Bushing / Male Pipe Thread to Female Pipe Thread	41-42
"SE" Series	Street Elbow, 90 Degrees / Male Pipe Thread by Female Pipe Thread	43-44
SE3445	Street Elbow, 45 Degrees / Male Pipe Thread by Female Pipe Thread	45-46
"SHM" Series	Mende / Hose Barb to Hose Barb with Stop	47-48
"SP" Series	Pipe Plug, Square Head	49-50
"T" Series	Tee / Hose Barb to Hose Barbs	51-52
"TxxF" Series	Tee / Female Pipe Thread to Hose Barbs	53-54
"TxxT" Series	Tee / Male Pipe Thread to Hose Barbs	55-56
"TTxxN" Series	Tee / Female Pipe Thread's with Knurls	57-58
<b>AGRICULTURAL FITTINGS</b>		59
"B12" Series	Nozzle Nut	60-61

# Table Of Contents

Series	Description	Page #
<b>AGRICULTURAL FITTINGS CONTINUED</b>		
"K" Series	Barbed Nozzle Fitting	62-63
"NB" Series	Nipple / Male Straight Thread to Male Pipe Thread	64-65
"NF" Series	Coupling / Female Pipe Thread to Female Straight Thread	66-67
"NTL" Series	Elbow / Male Straight Thread to Hose Barb	68-69
"NTT" Series	Barbed Tee to Straight Thread	70-71
"TxxC" Series	Cross / Hose Barbs to Male Straight Thread	72-73
"38xxD" Series	Male Straight Thread to Hose Barb	74-75
"3942" Series	Knurled Cap	76-77
"8027" Series	Swivel Nut	78-79
<b>GARDEN HOSE FITTINGS</b>		
"B" Series	Knurled Swivel Nut	80
"C" Series	Hose Barb Flat Seat	81-82
"CxxNPT" Series	Adapter / Male Pipe Thread to Female Garden Hose Thread Swivel	83-84
"D" Series	Adapter / Male Garden Hose Thread to Hose Barb	85-86
"E" Series	Adapter / Male Garden Hose Thread to Male Pipe Thread	87-88
"EE" Series	Adapter / Male Garden Hose Thread to Male Garden Hose Thread	89-90
"ELD" Series	Adapter / Male Garden Hose Thread to Male Garden Hose Thread	91-92
"ELD" Series	Elbow / Male Garden Hose Thread to Hose Barb	93-94
"FG" Series	Adapter / Femal Garden Hose Thread to Female Garden Hose Thread	95-96
"G" Series	Adapter / Male Garden Hose Thread to Female Pipe Thread	97-98
"H" Series	Adapter / Female Garden Hose Thread to Male Pipe Thread	99-100
"I" Series	Adapter / Female Garden Hose Thread to Male Garden Hose Thread	101-102
"J" Series	Coupling / Female Garden Hose Thread to Female Pipe Thread	103-104
"N" Series	Knurled Cap	105-106
"TD" Series	Tee / Male Garden Hose Thread to Hose Barb	107-108
W406V	Black Vinyl Washer	109-110

# Catalog Terms

**ORDER PLACEMENT:** Olsen Tool & Plastics (OTP) has established 3 ways for our customers to place orders:

E-Mail: [orders@olsentool.com](mailto:orders@olsentool.com)

Call: 1-800-633-3460

Fax: 952-448-1679

Once an order is received, you will receive an email confirming the purchase order and expected delivery. Standard lead time for items not in stock range from 2-6 weeks.

**MINIMUM ORDER REQUIREMENTS:** All orders must be purchased in box quantities. For blanket orders, OTP has a minimum order release which must equal one full box of parts. If this minimum order quantity cannot be met, contact our Customer Service Department for current distributors that can handle your purchase. International orders (excluding Canada) have a minimum order quantity of 10,000 pieces of each part and the entire order must equal at least \$2000 US dollars. There are no returns allowed for international orders. Stock items usually ship within 48 hours of receiving the order.

**TERMS:** All "open" accounts are subject to the following terms:

Net 30 days.

1% discount for 10 days.

To establish an "open" account you must complete a credit application which will need to be approved by our Credit Department prior to shipment. If you wish to place an order prior to filling out a credit application, you will need to prepay by making arrangements with our Customer Service department. OTP does not accept any credit cards.

**PRICING:** Call Customer Service for current pricing.

**SHIPMENT:** Shipments 10% over or under will be considered complete. OTP will charge \$25 for all drop shipments. OTP will charge \$25 for all rush shipments. All parts are shipped in boxed or bagged quantities only.

**FREIGHT:** All orders are shipped F.O.B. Factory; Chaska, MN. UPS and truck shipments are shipped collect unless otherwise specified as prepaid with charges added to invoices.

**RETURNS:** Returns for credit must be received within 30 days from the date of shipment. A credit authorization number for all returns will be required from our Customer Service Department. All returns must be returned freight prepaid. A 50% restocking charge is assessed on all returns. No returns on non-stock specialty parts.

# Catalog Terms

**SHORTAGES, LOSS AND CLAIMS:** Claims must be made within 15 days from receipt of shipment. Care is taken that all products leave our warehouse in good condition. For any damage or loss, please file claim with the delivering carrier.

**CUSTOM COLORED FITTINGS:** For customers who wish to order custom colored fittings, the minimum order requirement is 10,000 pieces of each part purchased. Custom colored fittings cannot be returned to OTP.

**CUSTOM FITTINGS AND CUSTOM MOLDS:** Our in-house Tool Room is fully staffed by Master Mold Makers who have the capability of taking a project from the beginning design to production. Our customers' molds are designed on the latest CAD programs and then produced and stored in-house.

**INJECTION MOLDING DEPARTMENT:** Our molding department consists of injection molding machines ranging in size from 15 tons to 416 tons, with a shot capacity of .25 to 37 ounces. The machines are equipped with state-of-the-art peripheral equipment required for each job.

**INSPECTION DEPARTMENT:** Only the highest standards of quality are accepted in our Inspection Department. Our commitment to our customers is to produce parts that are exactly as you demand them.

**SECONDARY OPERATIONS:** As an added benefit to our customers, OTP offers secondary operations such as ultrasonic welding, drilling, tapping, hot stamping, assembly and custom bagging. Our quality standards are as high for secondary operations as they are for every other process. Our goal is to be your total supplier, providing you with a one-stop approach for all your needs.

# Material Specification Sheet

**Nylon** fittings are generally acceptable for working pressures up to 150 PSI at normal room temperatures. At very low pressures, temperatures can approach 175 degrees F with no degradation of the fittings strength.

OTP manufactures their nylon fittings exclusively from high quality type 6 resins. Nylon has good resistance to a fairly broad range of chemicals including most agricultural chemicals, ammonium compounds, detergents, diesel fuel, ethanol, gasoline, hexane, magnesium sulfate, most sodium compounds, trichloroethylene, and zinc sulfate. OTP's nylon fittings comply with ROHS standards.

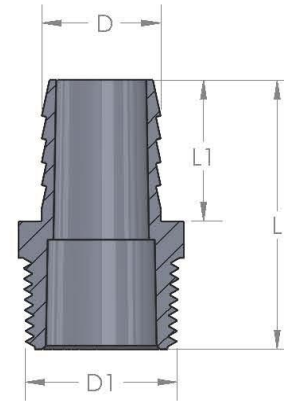
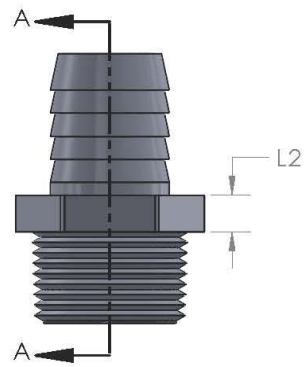
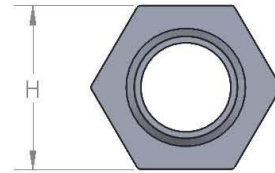
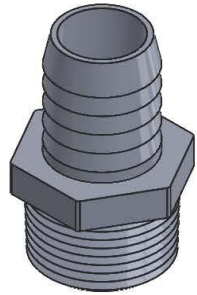
Nylon fittings should not be used with acid-based fertilizers, bromine, chlorine, fluorine, hydrochloric acid, iodine, nitric acid, phosphoric acid, sulfuric acid or xylene. OTP fittings are not intended for use with compressed gases.

**Polypropylene** fittings are generally acceptable for working pressures up to 150 PSI at normal room temperatures. At higher temperatures, the recommended working pressure decreases. For example, at 140 degrees F, the maximum recommended working pressure is 90 PSI.

OTP uses 10% glass polypropylene resin for their fittings. Polypropylene has good resistance to a wide range of chemicals including agricultural chemicals, acid-based fertilizers, ammonium compounds, calcium carbonate, DDT, ethanol, hydrochloric acid, magnesium sulfate, oxalic acid, propionic acid, phosphoric acid and sodium compounds. OTP's polypropylene fittings comply with ROHS standards.

Polypropylene should not be used with aromatic hydrocarbons, carbon tetrachloride, gasoline, hexane, kerosene, nitric acid, sodium hypochlorite, toluene, trichloro-ethylene or xylene. **OTP fittings are not intended for use with compressed gases.**

# GENERAL FITTINGS



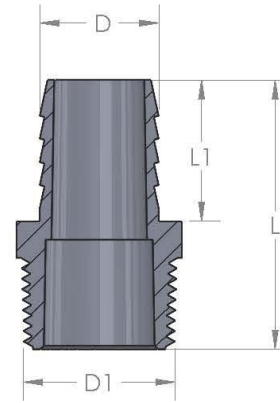
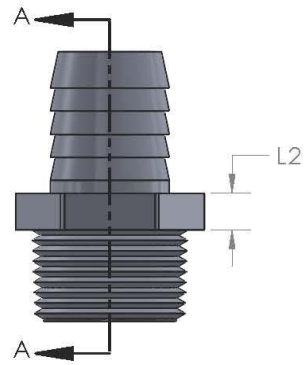
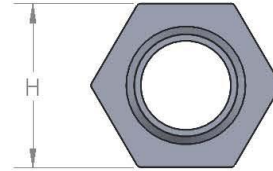
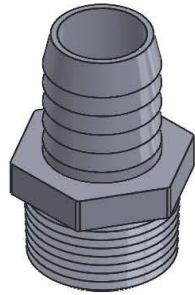
SECTION A-A

## "A" SERIES



## "A" Series

Adapter / Male Pipe Thread to Hose Barb							
NATURAL NYLON	BLACK POLYPROPYLENE	D	D1	H	L	L1	L2
A18316-NS	3-A18316-NS	3/16"	1/8-27 NPT	5/8" HEX	1-11/16"	61/64"	1/4"
A1814	3-A1814	1/4"	1/8-27 NPT	5/8" HEX	1-11/16"	61/64"	1/4"
A18516-NS	3-A18516-NS	5/16"	1/8-27 NPT	5/8" HEX	1-11/16"	61/64"	1/4"
A1838	3-A1838	3/8"	1/8-27 NPT	5/8" HEX	1-11/16"	61/64"	1/4"
A14316	3-A14316-NS	3/16"	1/4-18 NPT	5/8" HEX	1-45/64"	61/64"	1/4"
A14	3-A14	1/4"	1/4-18 NPT	5/8" HEX	1-45/64"	61/64"	1/4"
A14516-NS	3-A14516-NS	5/16"	1/4-18 NPT	5/8" HEX	1-45/64"	61/64"	1/4"
A1438	3-A1438	3/8"	1/4-18 NPT	5/8" HEX	1-45/64"	61/64"	1/4"
A1412	3-A1412	1/2"	1/4-18 NPT	5/8" HEX	1-45/64"	61/64"	1/4"
A3814	3-A3814	1/4"	3/8-18 NPT	3/4" HEX	1-49/64"	61/64"	1/4"
A38516-NS	3-A38516-NS	5/16"	3/8-18 NPT	3/4" HEX	1-49/64"	61/64"	1/4"
A38	3-A38	3/8"	3/8-18 NPT	3/4" HEX	1-49/64"	61/64"	1/4"
A3812	3-A3812	1/2"	3/8-18 NPT	3/4" HEX	1-49/64"	61/64"	1/4"
A3858	3-A3858	5/8"	3/8-18 NPT	3/4" HEX	1-49/64"	61/64"	1/4"
A1214	3-A1214	1/4"	1/2-14 NPT	15/16" HEX	1-49/64"	61/64"	1/4"
A1238	3-A1238	3/8"	1/2-14 NPT	15/16" HEX	1-49/64"	61/64"	1/4"
A12	3-A12	1/2"	1/2-14 NPT	15/16" HEX	1-49/64"	61/64"	1/4"
A1258	3-A1258	5/8"	1/2-14 NPT	15/16" HEX	1-49/64"	61/64"	1/4"
A1234	3-A1234	3/4"	1/2-14 NPT	15/16" HEX	1-49/64"	61/64"	1/4"
A12100-NS	3-A12100-NS	1"	1/2-14 NPT	1-1/8" HEX	1-15/16"	1-1/8"	1/4"
A3414	3-A3414-NS	1/4"	3/4-14 NPT	1-1/8" HEX	1-53/64"	61/64"	1/4"
A3438	3-A3438	3/8"	3/4-14 NPT	1-1/8" HEX	1-53/64"	61/64"	1/4"
A3412	3-A3412	1/2"	3/4-14 NPT	1-1/8" HEX	1-53/64"	61/64"	1/4"
A3458	3-A3458	5/8"	3/4-14 NPT	1-1/8" HEX	1-53/64"	61/64"	1/4"

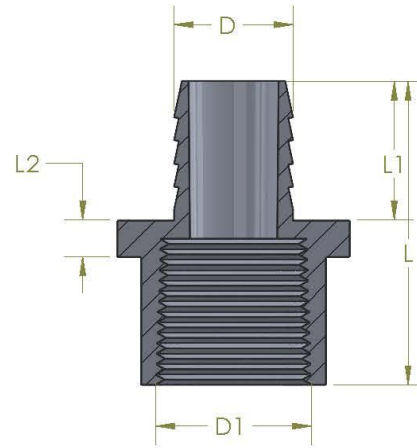
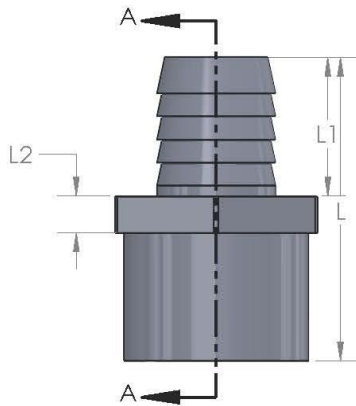
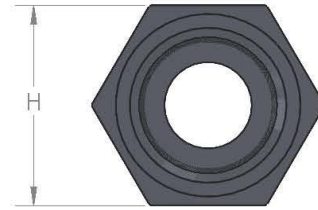
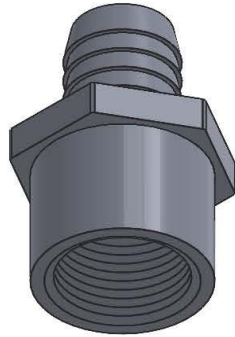


SECTION A-A

## "A" SERIES

## "A" Series continued

Adapter / Male Pipe Thread to Hose Barb							
NATURAL NYLON	BLACK POLYPROPYLENE	D	D1	H	L	L1	L2
A34	3-A34	3/4"	3/4-14 NPT	1-1/8" HEX	1-53/64"	61/64"	1/4"
A34100	3-A34100	1"	3/4-14 NPT	1-1/8" HEX	1-31/32"	1-9/64"	1/4"
A10014-NS	3-A10014-NS	1/4"	1-11 1/2 NPT	1-5/16" HEX	1-55/64"	15/16"	1/4"
A10038-NS	3-A10038-NS	3/8"	1-11 1/2 NPT	1-5/16" HEX	1-55/64"	15/16"	1/4"
A10012-NS	3-A10012-NS	1/2"	1-11 1/2 NPT	1-5/16" HEX	1-55/64"	15/16"	1/4"
A10058-NS	3-A10058-NS	5/8"	1-11 1/2 NPT	1-5/16" HEX	1-55/64"	15/16"	1/4"
A10034	3-A10034	3/4"	1-11 1/2 NPT	1-5/16" HEX	1-55/64"	15/16"	1/4"
A100	3-A100	1"	1-11 1/2 NPT	1-5/16" HEX	2-1/16"	1-9/64"	1/4"
A100114	3-A100114	1 1/4"	1-11 1/2 NPT	1-5/16" HEX	2-21/64"	1-25/64"	1/4"
A11434-NS	3-A11434-NS	3/4"	1 1/4 - 11 1/2 NPT	1-3/4" HEX	2-35/64"	1-3/8"	1/4"
A114100	3-A114100	1"	1 1/4 - 11 1/2 NPT	1-11/16" HEX	2-15/16"	1-1/8"	9/32"
A114	3-A114	1 1/4"	1 1/4 - 11 1/2 NPT	1-11/16" HEX	2-25/32"	1-25/64"	9/32"
A114112	3-A114112	1 1/2"	1 1/4 - 11 1/2 NPT	2" HEX	2-43/64"	1-7/16"	5/16"
A112114	3-A112114	1 1/4"	1 1/2 - 11 1/2 NPT	2" HEX	2-9/16"	1-3/8"	5/16"
A112	3-A112	1 1/2"	1 1/2 - 11 1/2 NPT	2" HEX	2-45/64"	1-3/8"	5/16"
A200	3-A200	2"	2-11 1/2 NPT	2-1/8" OCTAGON	4-15/64"	2-1/2"	5/8"

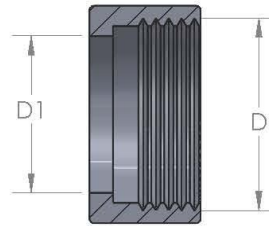
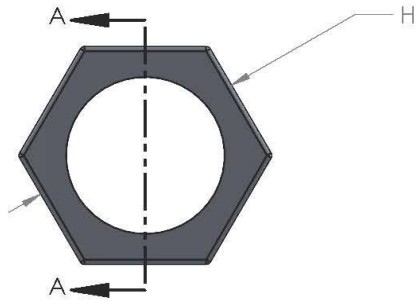
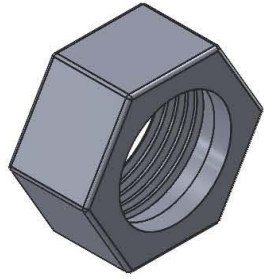


SECTION A-A

## "AxxF" SERIES

## "AxxF" Series

Female Pipe Thread to Hose Barb							
NATURAL NYLON	BLACK POLYPROPYLENE	D	D1	H	L	L1	L2
A1814F-NS	3-A1814F-NS	1/4"	1/8-27 NPT	3/4" HEX	1-49/64"	61/64"	1/4"
A1838F-NS	3-A1838F-NS	3/8"	1/8-27 NPT	3/4" HEX	1-49/64"	61/64"	1/4"
A14F-NS	3-A14F-NS	1/4"	1/4-18 NPT	7/8" HEX	1-49/64"	61/64"	1/4"
A1438F-NS	3-A1438F	3/8"	1/4-18 NPT	7/8" HEX	1-49/64"	61/64"	1/4"
A1412F-NS	3-A1412F-NS	1/2"	1/4-18 NPT	7/8" HEX	1-49/64"	61/64"	1/4"
A1458F-NS	3-A1458F-NS	5/8"	1/4-18 NPT	7/8" HEX	1-49/64"	61/64"	1/4"
A3814F-NS	3-A3814F-NS	1/4"	3/8-18 NPT	1" HEX	1-53/64"	61/64"	1/4"
A38F-NS	3-A38F	3/8"	3/8-18 NPT	1" HEX	1-53/64"	61/64"	1/4"
A3812F-NS	3-A3812F	1/2"	3/8-18 NPT	1" HEX	1-53/64"	61/64"	1/4"
A3858F-NS	3-A3858F-NS	5/8"	3/8-18 NPT	1" HEX	1-53/64"	61/64"	1/4"
A3834F-NS	3-A3834F-NS	3/4"	3/8-18 NPT	1" HEX	1-53/64"	61/64"	1/4"
A1214F	3-A1214F	1/4"	1/2-14 NPT	1-1/8" HEX	1-53/64"	61/64"	1/4"
A1238F-NS	3-A1238F	3/8"	1/2-14 NPT	1-1/8" HEX	1-53/64"	61/64"	1/4"
A12F	3-A12F	1/2"	1/2-14 NPT	1-1/8" HEX	1-53/64"	61/64"	1/4"
A1258F-NS	3-A1258F	5/8"	1/2-14 NPT	1-1/8" HEX	1-53/64"	61/64"	1/4"
A1234F	3-A1234F	3/4"	1/2-14 NPT	1-1/8" HEX	1-53/64"	61/64"	1/4"
A3414F-NS	3-A3414F	1/4"	3/4-14 NPT	1-3/8" HEX	2-5/64"	61/64"	1/4"
A3438F-NS	3-A3438F-NS	3/8"	3/4-14 NPT	1-3/8" HEX	2-5/64"	61/64"	1/4"
A3412F-NS	3-A3412F	1/2"	3/4-14 NPT	1-3/8" HEX	2-5/64"	61/64"	1/4"
A3458F-NS	3-A3458F-NS	5/8"	3/4-14 NPT	1-3/8" HEX	2-5/64"	61/64"	1/4"
A34F	3-A34F	3/4"	3/4-14 NPT	1-3/8" HEX	2-5/64"	61/64"	1/4"

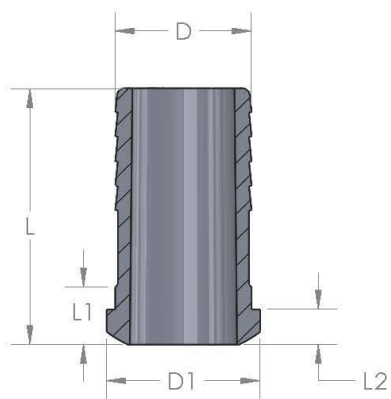
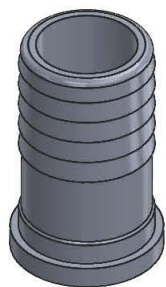


SECTION A-A

## "B100" SERIES

## "B100" Series

Hex Swivel Nut					
NATURAL NYLON	BLACK POLYPROPYLENE	D	D1	H	L
B100-NS	3-B100-NS	1-11 1/2 NPSM	1-1/16"	1-1/2"	3/4"



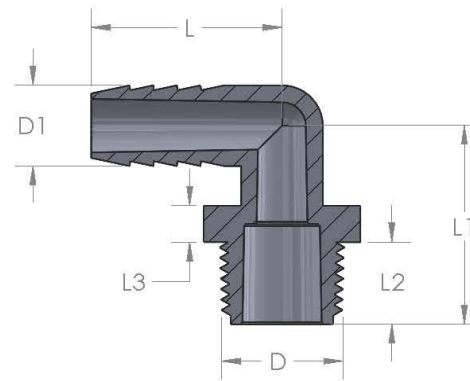
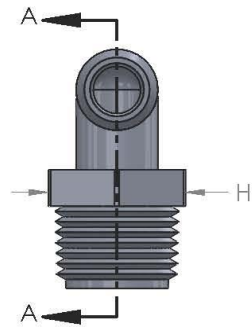
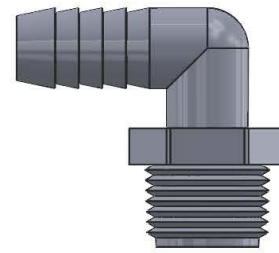
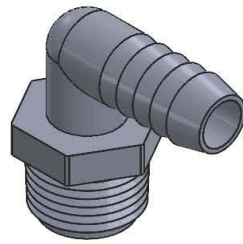
SECTION A-A

## "C100" SERIES



## "C100" Series

Hose Barb Flat Seat						
NATURAL NYLON	BLACK POLYPROPYLENE	D	D1	L	L1	L2
C100-NS	3-C100-NS	1"	1-3/16"	2"	7/16"	17/64"

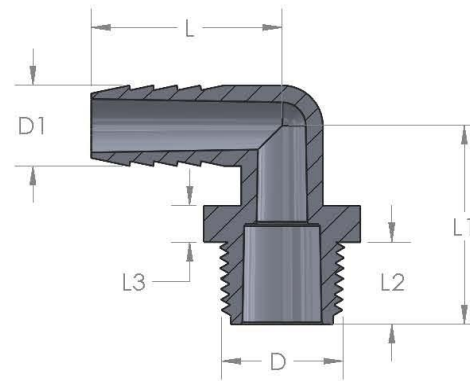
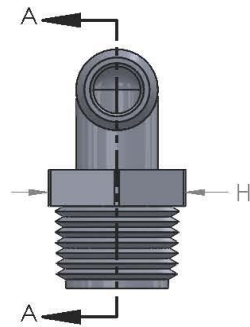
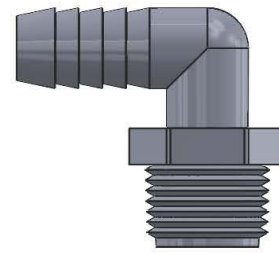
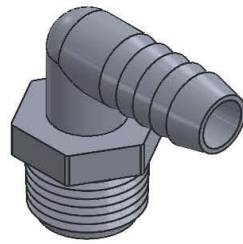


SECTION A-A

## "ELxx" SERIES

## "ELxx" Series

Elbow / Male Pipe Thread to Hose Barb								
NATURAL NYLON	BLACK POLYPROPYLENE	D	D1	H	L	L1	L2	L3
EL1814	3-EL1814	1/8-27 NPT	1/4"	5/8" HEX	1-11/64"	1-9/32"	15/32"	1/4"
EL1838-NS	3-EL1838	1/8-27 NPT	3/8"	5/8" HEX	1-7/32"	1-9/32"	15/32"	1/4"
EL14316-NS	3-EL14316-NS	1/4-18 NPT	3/16"	5/8" HEX	1-1/8"	1-5/16"	1/2"	1/4"
EL14	3-EL14	1/4-18 NPT	1/4"	5/8" HEX	1-11/64"	1-5/16"	1/2"	1/4"
EL14516-NS	3-EL14516-NS	1/4-18 NPT	5/16"	5/8" HEX	1-3/16"	1-5/16"	1/2"	1/4"
EL1438	3-EL1438	1/4-18 NPT	3/8"	5/8" HEX	1-7/32"	1-5/16"	1/2"	1/4"
EL1412	3-EL1412	1/4-18 NPT	1/2"	5/8" HEX	1-9/32"	1-5/16"	1/2"	1/4"
EL3814	3-EL3814	3/8-18 NPT	1/4"	3/4" HEX	1-11/64"	1-3/8"	9/16"	1/4"
EL38516-NS	3-EL38516	3/8-18 NPT	5/16"	3/4" HEX	1-3/16"	1-3/8"	9/16"	1/4"
EL38	3-EL38	3/8-18 NPT	3/8"	3/4" HEX	1-7/32"	1-3/8"	9/16"	1/4"
EL3812	3-EL3812	3/8-18 NPT	1/2"	3/4" HEX	1-9/32"	1-3/8"	9/16"	1/4"
EL3858	3-EL3858-NS	3/8-18 NPT	5/8"	3/4" HEX	1-11/32"	1-3/8"	9/16"	1/4"
EL1214	3-EL1214	1/2-14 NPT	1/4"	15/16" HEX	1-11/64"	1-3/8"	9/16"	1/4"
EL1238	3-EL1238	1/2-14 NPT	3/8"	15/16" HEX	1-7/32"	1-3/8"	9/16"	1/4"
EL12	3-EL12	1/2-14 NPT	1/2"	15/16" HEX	1-9/32"	1-3/8"	9/16"	1/4"
EL1258	3-EL1258	1/2-14 NPT	5/8"	15/16" HEX	1-11/32"	1-9/16"	9/16"	1/4"
EL1234	3-EL1234	1/2-14 NPT	3/4"	15/16" HEX	1-13/32"	1-9/16"	9/16"	1/4"
EL12100	3-EL12100-NS	1/2-14 NPT	1"	15/16" HEX	1-9/16"	1-43/64"	9/16"	1/4"
EL3414-NS	3-EL3414	3/4-14 NPT	1/4"	1-1/8" HEX	1-11/64"	1-7/16"	5/8"	1/4"
EL3438	3-EL3438	3/4-14 NPT	3/8"	1-1/8" HEX	1-7/32"	1-7/16"	5/8"	1/4"
EL3412	3-EL3412	3/4-14 NPT	1/2"	1-1/8" HEX	1-9/32"	1-7/16"	5/8"	1/4"
EL3458	3-EL3458	3/4-14 NPT	5/8"	1-1/8" HEX	1-11/32"	1-5/8"	5/8"	1/4"
EL34	3-EL34	3/4-14 NPT	3/4"	1-1/8" HEX	1-13/32"	1-5/8"	5/8"	1/4"

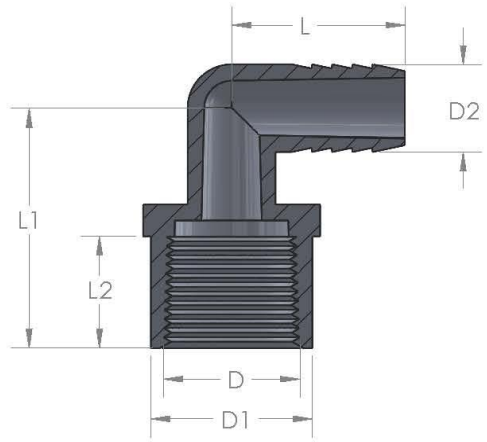
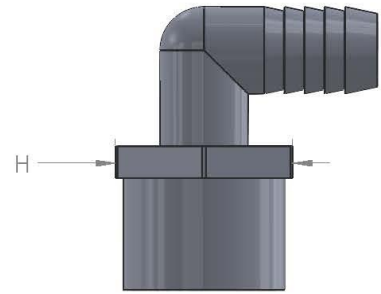
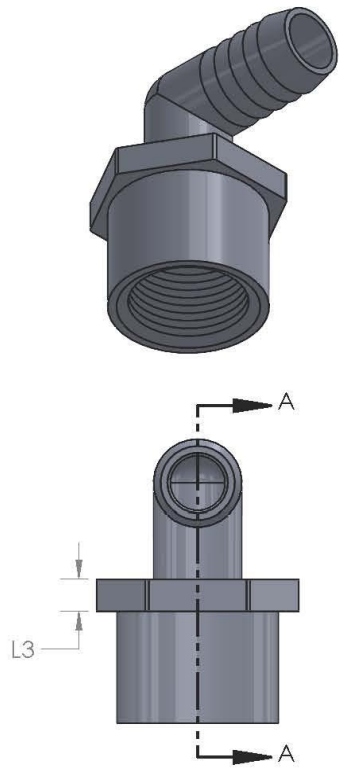


SECTION A-A

## "ELxx" SERIES

## "ELxx" Series continued

Elbow / Male Pipe Thread to Hose Barb								
NATURAL NYLON	BLACK POLYPROPYLENE	D	D1	H	L	L1	L2	L3
EL34100	3-EL34100	3/4-14 NPT	1"	1-1/8" HEX	1-11/16"	1-5/8"	5/8"	1/4"
EL10012-NS	3-EL10012-NS	1-11.5 NPT	1/2"	1-3/8" HEX	1-13/32"	1-11/16"	11/16"	1/4"
EL10058-NS	3-EL10058-NS	1-11.5 NPT	5/8"	1-3/8" HEX	1-13/32"	1-11/16"	11/16"	1/4"
EL10034	3-EL10034	1-11.5 NPT	3/4"	1-3/8" HEX	1-13/32"	1-11/16"	11/16"	1/4"
EL100	3-EL100	1-11.5 NPT	1"	1-3/8" HEX	1-11/16"	1-11/16"	11/16"	1/4"
EL114100-NS	3-EL114100-NS	1 1/4-11 1/2 NPT	1"	1-3/4" FLAT	2-29/64"	2-25/64"	1-5/64"	1/4"
EL114-NS	3-EL114-NS	1 1/4-11 1/2 NPT	1-1/4"	1-3/4" FLAT	2-31/64"	2-27/64"	1-5/64"	1/4"
EL112-NS	3-EL112-NS	1 1/2-11 1/2 NPT	1-1/2"	2" HEX	2-37/64"	2-49/64"	1-5/64"	3/8"
EL200-NS	3-EL200-NS	2-11 1/2 NPT	2"	2-3/8" HEX	2-15/16"	3-1/64"	3-1/64"	3/8"

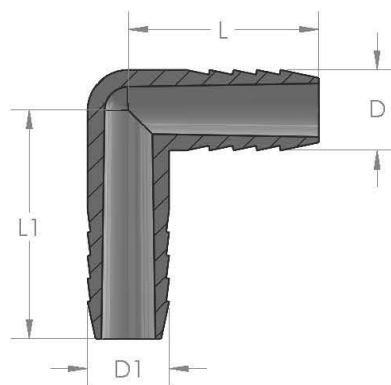
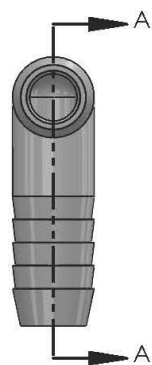
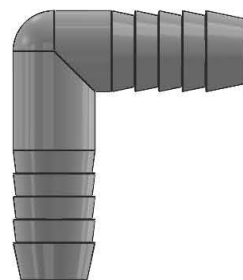
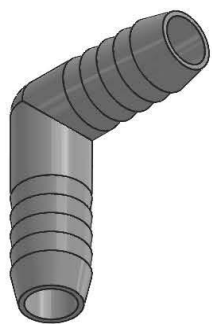


SECTION A-A

# "ELxxF" SERIES

## "ELxxF" Series

Elbow / Female Pipe Thread to Hose Barb									
NATURAL NYLON	BLACK POLYPROPYLENE	D	D1	D2	H	L	L1	L2	L3
EL18316F-NS	3-EL18316F-NS	1/8-27 NPT	5/8"	3/16"	3/4" HEX	1-5/32"	1-3/8"	9/16"	1/4"
EL1814F-NS	3-EL1814F-NS	1/8-27 NPT	5/8"	1/4"	3/4" HEX	1-5/32"	1-3/8"	9/16"	1/4"
EL1838F-NS	3-EL1838F-NS	1/8-27 NPT	5/8"	3/8"	3/4" HEX	1-7/32"	1-3/8"	9/16"	1/4"
EL14316F-NS	3-EL14316F-NS	1/4-18 NPT	3/4"	3/16"	7/8" HEX	1-5/32"	1-3/8"	9/16"	1/4"
EL14F	3-EL14F-NS	1/4-18 NPT	3/4"	1/4"	7/8" HEX	1-5/32"	1-3/8"	9/16"	1/4"
EL1438F	3-EL1438F	1/4-18 NPT	3/4"	3/8"	7/8" HEX	1-7/32"	1-3/8"	9/16"	1/4"
EL3814F-NS	3-EL3814F-NS	3/8-18 NPT	7/8"	1/4"	1" HEX	1-5/32"	1-7/16"	5/8"	1/4"
EL38F-NS	3-EL38F	3/8-18 NPT	7/8"	3/8"	1" HEX	1-7/32"	1-7/16"	5/8"	1/4"
EL3812F	3-EL3812F	3/8-18 NPT	7/8"	1/2"	1" HEX	1-9/32"	1-7/16"	5/8"	1/4"
EL1214F-NS	3-EL1214F-NS	1/2-14 NPT	1-1/16"	1/4"	1-1/8" HEX	1-5/32"	1-7/16"	5/8"	1/4"
EL1238F	3-EL1238F-NS	1/2-14 NPT	1-1/16"	3/8"	1-1/8" HEX	1-7/32"	1-7/16"	5/8"	1/4"
EL12F	3-EL12F	1/2-14 NPT	1-1/16"	1/2"	1-1/8" HEX	1-9/32"	1-7/16"	5/8"	1/4"
EL1258F-NS	3-EL1258F-NS	1/2-14 NPT	1-1/16"	5/8"	1-1/8" HEX	1-11/32"	1-5/8"	5/8"	1/4"
EL1234F-NS	3-EL1234F-NS	1/2-14 NPT	1-1/16"	3/4"	1-1/8" HEX	1-13/32"	1-5/8"	5/8"	1/4"
EL3438F-NS	3-EL3438F-NS	3/4-14 NPT	1-1/4"	3/8"	1-3/8 HEX	1-7/32"	1-11/16"	7/8"	1/4"
EL3412F	3-EL3412F	3/4-14 NPT	1-1/4"	1/2"	1-3/8 HEX	1-9/32"	1-11/16"	7/8"	1/4"
EL3458F-NS	3-EL3458F-NS	3/4-14 NPT	1-1/4"	5/8"	1-3/8 HEX	1-11/32"	1-7/8"	7/8"	1/4"
EL34F	3-EL34F	3/4-14 NPT	1-1/4"	3/4"	1-3/8 HEX	1-13/32"	1-7/8"	7/8"	1/4"



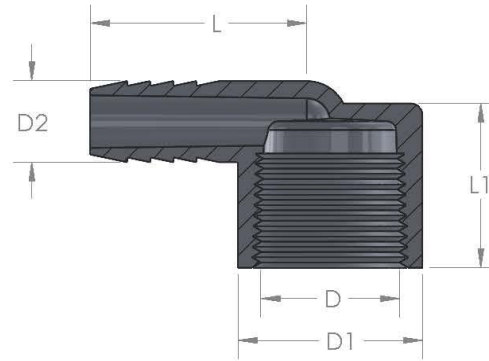
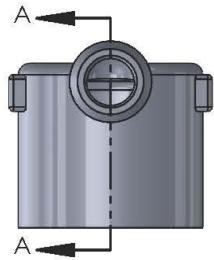
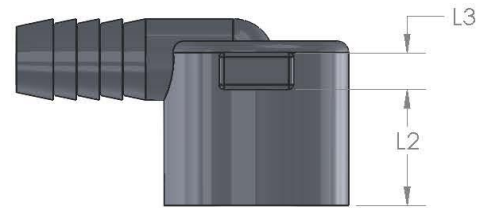
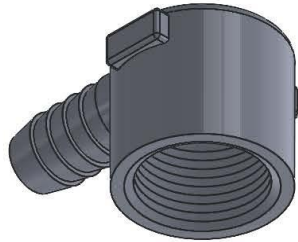
SECTION A-A

## "ELxxHB" SERIES



## "ELxxHB" Series

Elbow Adapter / Hose Barb to Hose Barb					
NATURAL NYLON	BLACK POLYPROPYLENE	D	D1	L	L1
EL14HB	3-EL14HB	1/4"	1/4"	1-5/32"	1-9/16"
EL38HB	3-EL38HB	3/8"	3/8"	1-7/32"	1-9/16"
EL12HB	3-EL12HB	1/2"	1/2"	1-9/32"	1-9/16"
EL58HB	3-EL58HB	5/8"	5/8"	1-11/32"	1-3/4"
EL34HB	3-EL34HB	3/4"	3/4"	1-13/32"	1-3/4"
EL100HB	3-EL100HB-NS	1"	1"	1-7/8"	1-43/64"
EL3814HB	3-EL3814HB	1/4"	3/8"	1-5/32"	1-9/16"
EL1214HB	3-EL1214HB-NS	1/4"	1/2"	1-11/34"	1-9/16"
EL1238HB-NS	3-EL1238HB-NS	3/8"	1/2"	1-7/32"	1-9/16"
EL3458HB-NS	3-EL3458HB-NS	5/8"	3/4"	1-11/32"	1-3/4"

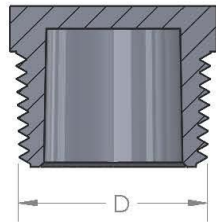
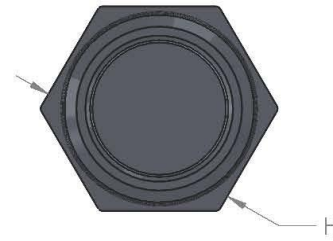
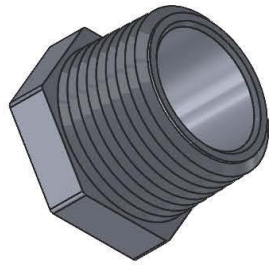


SECTION A-A

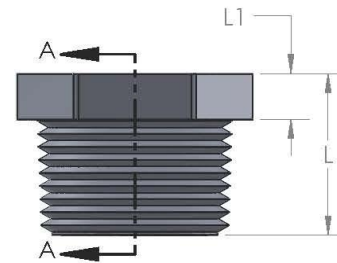
# "ELxxSF" SERIES

## "ELxxSF" Series

Elbow / Female Pipe Thread to Short Hose Barb									
NATURAL NYLON	BLACK POLYPROPYLENE	D	D1	D2	H	L	L1	L2	L3
EL3412SF	3-EL3412SF-NS	3/4-14 NPT	1-1/4"	1/2"	1-3/8 Flats	1-15/32"	1-1/8"	51/64"	1/4"
EL3458SF	3-EL3458SF-NS	3/4-14 NPT	1-1/4"	5/8"	1-3/8 Flats	1-21/34"	1-1/8"	51/64"	1/4"
EL3434SF	3-EL3434SF	3/4-14 NPT	1-1/4"	3/4"	1-3/8 Flats	1-13/32"	1-1/8"	51/64"	1/4"



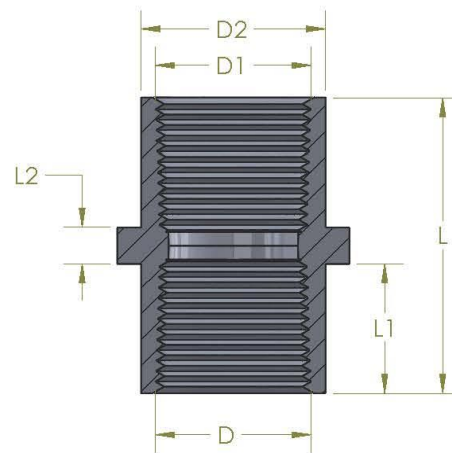
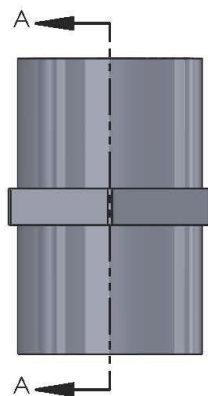
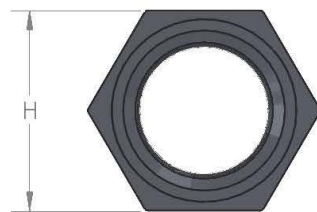
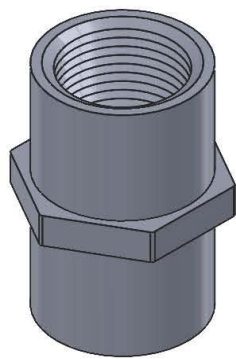
SECTION A-A



## "F" SERIES

## "F" Series

Pipe Plug / Hex Head					
NATURAL NYLON	BLACK POLYPROPYLENE	D	H	L	L1
F18	3-F18	1/8-27 NPT	5/8" HEX	23/32"	1/4"
F14	3-F14	1/4-18 NPT	5/8" HEX	3/4"	1/4"
F38	3-F38	3/8-18 NPT	3/4" HEX	13/16"	1/4"
F12	3-F12	1/2-14 NPT	15/16" HEX	13/16"	1/4"
F34	3-F34	3/4-14 NPT	1-1/8" HEX	7/8"	1/4"
F100	3-F100	1 - 11 1/2 NPT	1-3/8" HEX	29/32"	1/4"
F114-NS	3-F114-NS	1 1/4 - 11 1/2 NPT	1-11/16" HEX	1-3/16"	5/16"
F112	3-F112	1 1/2 - 11 1/2 NPT	2 1/32" HEX	1-11/64"	5/16"
F200-NS	3-F200	2 - 11 1/2 NPT	2-15/32" HEX	1-7/32"	5/16"

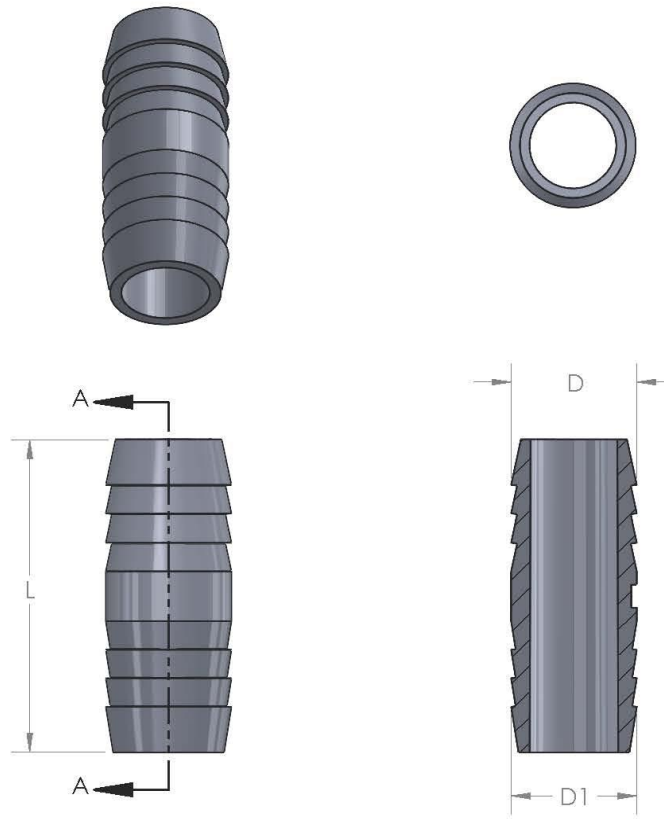


SECTION A-A

## "FC" SERIES

## "FC" Series

Coupling / Female Pipe Thread to Female Pipe Thread								
NATURAL NYLON	BLACK POLYPROPYLENE	D	D1	D2	H	L	L1	L2
FC12	3-FC12	1/2-14 NPT	1/2-14 NPT	1"	1-3/16" HEX	1-5/8"	11/16"	1/4"
FC34	3-FC34	3/4-14 NPT	3/4-14 NPT	1-1/4"	1-3/8" HEX	2"	7/8"	1/4"
FC100-NS	3-FC100-NS	1-11 1/2 NPT	1-11 1/2 NPT	1-1/2"	1-5/8" HEX	2-1/4"	1"	1/4"
FC114-NS	3-FC114-NS	1 1/4 - 11 1/2 NPT	1 1/4 - 11 1/2 NPT	1-7/8"	2" HEX	2-1/2"	1-1/8"	1/4"
FC112-NS	3-FC112-NS	1 1/2 - 11 1/2 NPT	1 1/2 - 11 1/2 NPT	2-9/64"	2-1/4" HEX	2-3/4"	1-1/4"	1/4"
FC200	3-FC200-NS	2-11 1/2 NPT	2-11 1/2 NPT	2-5/8"	2-5/8" HEX	3"	1-25/64"	1/4"



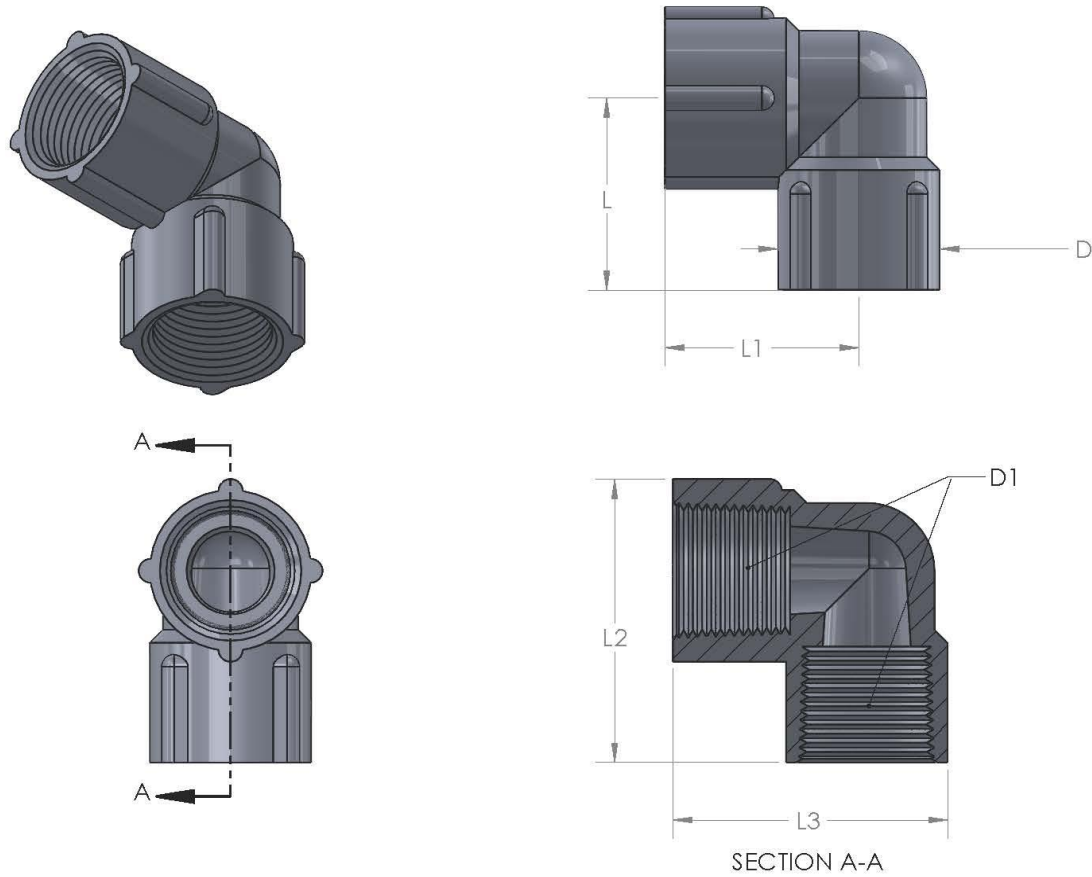
SECTION A-A

# "HM" SERIES



## "HM" Series

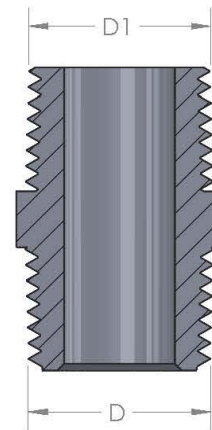
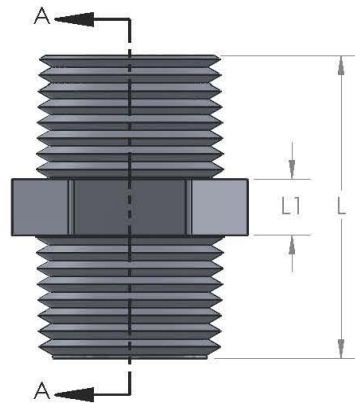
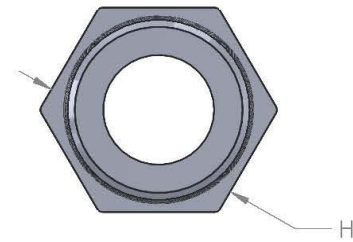
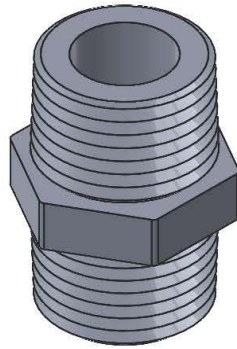
Mender / Hose Barb to Hose Barb Without Stop				
NATURAL NYLON	BLACK POLYPROPYLENE	D	D1	L
HM14316-NS	3-HM14316-NS	1/4"	3/16"	1-23/32"
HM14	3-HM14-NS	1/4"	1/4"	1-23/32"
HM3814	3-HM3814	3/8"	1/4"	1-23/32"
HM38516-NS	3-HM38516-NS	3/8"	5/16"	1-23/32"
HM38-NS	3-HM38-NS	3/8"	3/8"	1-23/32"
HM516	3-HM516-NS	5/16"	5/16"	1-23/32"
HM1214	3-HM1214-NS	1/2"	1/4"	1-23/32"
HM1238-NS	3-HM1238-NS	1/2"	3/8"	1-23/32"
HM12-NS	3-HM12-NS	1/2"	1/2"	1-23/32"
HM5838-NS	3-HM5838-NS	5/8"	3/8"	1-23/32"
HM5812-NS	3-HM5812-NS	5/8"	1/2"	1-23/32"
HM58	3-HM58-NS	5/8"	5/8"	1-23/32"



## "LL" SERIES

## "LL" Series

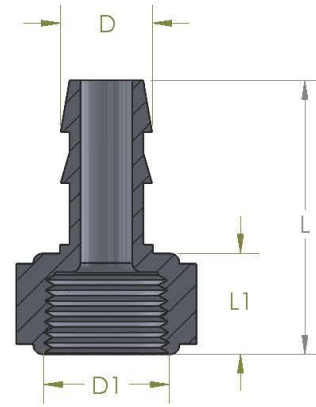
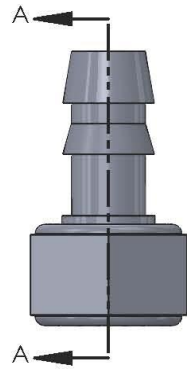
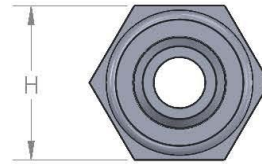
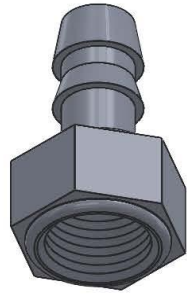
Elbow, 90 Degrees / Female Pipe Thread by Female Pipe Thread							
NATURAL NYLON	BLACK POLYPROPYLENE	D	D1	L	L1	L2	L3
LL12-NS	3-LL12	1 1/16"	1/2-14 NPT	1 3/8"	1 3/8"	1 29/32"	2"
LL34	3-LL34-NS	1 1/4"	3/4-14 NPT	1 1/2"	1 1/2"	2 7/32"	2 9/64"



## "M" SERIES

## "M" Series

Nipple / Male Pipe Thread to Male Pipe Thread						
NATURAL NYLON	BLACK POLYPROPYLENE	D	D1	H	L	L1
M18-NS	3-M18-NS	1/8-27 NPT	1/8-27 NPT	5/8" HEX	1-13/64"	1/4"
M1418-NS	3-M1418-NS	1/4-18 NPT	1/8-27 NPT	5/8" HEX	1-7/32"	1/4"
M14	3-M14	1/4-18 NPT	1/4-18 NPT	5/8" HEX	1-1/4"	1/4"
M3818-NS	3-M3818-NS	3/8-18 NPT	1/8-27 NPT	3/4" HEX	1-9/32"	1/4"
M3814	3-M3814-NS	3/8-18 NPT	1/4-18 NPT	3/4" HEX	1-21/34"	1/4"
M38	3-M38	3/8-18 NPT	3/8-18 NPT	3/4" HEX	1-3/8"	1/4"
M1214	3-M1214	1/2-14 NPT	1/4-18 NPT	15/16" HEX	1-5/16"	1/4"
M1238	3-M1238	1/2-14 NPT	3/8-18 NPT	15/16" HEX	1-3/8"	1/4"
M12	3-M12	1/2-14 NPT	1/2-14 NPT	15/16" HEX	1-3/8"	1/4"
M3438-NS	3-M3438-NS	3/4-14 NPT	3/8-18 NPT	1-1/8" HEX	1-7/16"	1/4"
M3412	3-M3412	3/4-14 NPT	1/2-14 NPT	1-1/8" HEX	1-7/16"	1/4"
M34	3-M34	3/4-14 NPT	3/4-14 NPT	1-1/8" HEX	1-1/2"	1/4"
M100	3-M100	1 - 11 1/2 NPT	1 - 11 1/2 NPT	1-7/16" HEX	2-1/16"	1/4"
M114-NS	3-M114	1 1/4 - 11 1/2 NPT	1 1/4 - 11 1/2 NPT	1-3/4" HEX	1-5/64"	9/32"
M112-NS	3-M112-NS	1 1/2 - 11 1/2 NPT	1 1/2 - 11 1/2 NPT	2" HEX	3-5/8"	5/16"
M200	3-M200	2 - 11 1/2 NPT	2 - 11 1/2 NPT	2-23/64" HEX	3-15/32"	9/32"

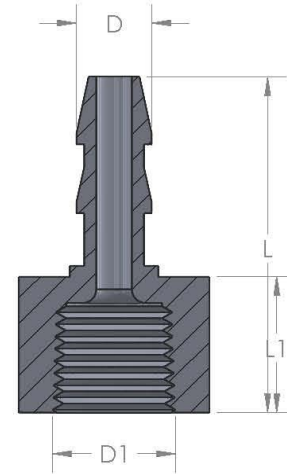
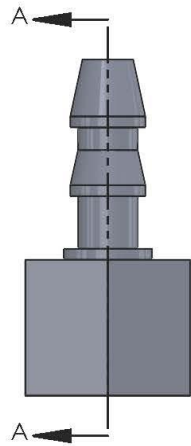
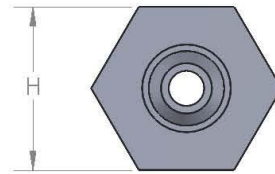
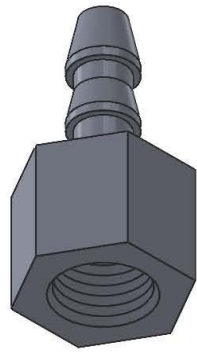


SECTION A-A

# "Q12" SERIES

## "Q12" Series

Female Pipe Thread to "Slip On" Hose Barb.						
NATURAL NYLON	BLACK POLYPROPYLENE	D	D1	H	L	L1
Q12	3-Q12-NS	1/2"	1/2-14 NPT	1-1/16" HEX	1-7/8"	3/4"



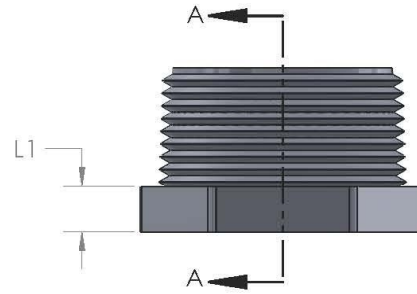
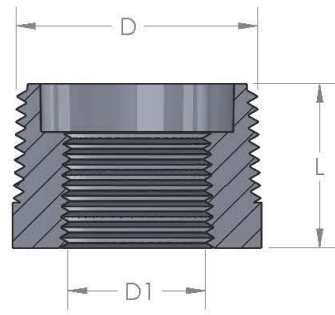
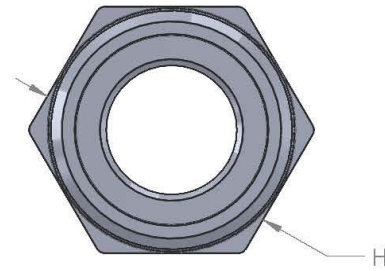
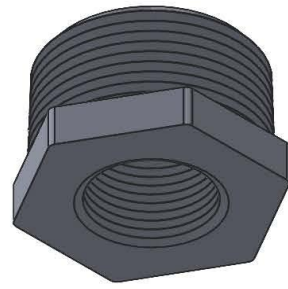
SECTION A-A

# "Q14" SERIES



## "Q14" Series

Female Pipe Thread to "Slip On" Hose Barb.						
NATURAL NYLON	BLACK POLYPROPYLENE	D	D1	H	L	L1
Q14-NS	3-Q14-NS	1/4"	1/4-18 NPT	3/4" HEX	1-17/32"	5/8"

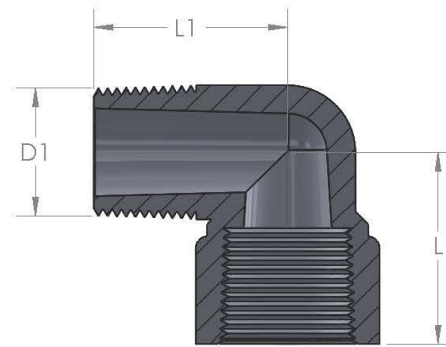
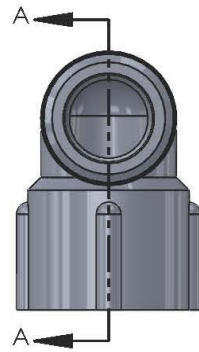
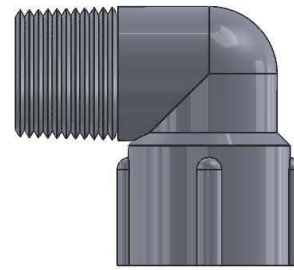
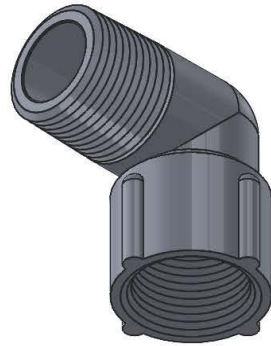


SECTION A-A

## "RB" SERIES

# "RB" Series

Reducer Bushing / Male Pipe Thread to Female Pipe Thread						
NATURAL NYLON	BLACK POLYPROPYLENE	D	D1	H	L	L1
RB1418-NS	3-RB1418	1/4-18 NPT	1/8-27 NPT	5/8" HEX	3/8"	1/4"
RB3818-NS	3-RB3818-NS	3/8-18 NPT	1/8-27 NPT	3/4" HEX	13/16"	1/4"
RB3814	3-RB3814	3/8-18 NPT	1/4-18 NPT	3/4" HEX	13/16"	1/4"
RB1218-NS	3-RB1218-NS	1/2-14 NPT	1/8-27 NPT	15/16" HEX	13/16"	1/4"
RB1214	3-RB1214	1/2-14 NPT	1/4-18 NPT	15/16" HEX	13/16"	1/4"
RB1238	3-RB1238	1/2-14 NPT	3/8-18 NPT	15/16" HEX	13/16"	1/4"
RB3418-NS	3-RB3418-NS	3/4-14 NPT	1/8-27 NPT	1-1/8" HEX	7/8"	1/4"
RB3414	3-RB3414	3/4-14 NPT	1/4-18 NPT	1-1/8" HEX	7/8"	1/4"
RB3438	3-RB3438	3/4-14 NPT	3/8-18 NPT	1-1/8" HEX	7/8"	1/4"
RB3412	3-RB3412	3/4-14 NPT	1/2-14 NPT	1-1/8" HEX	7/8"	1/4"
RB10038-NS	3-RB10038-NS	1 - 11 1/2 NPT	3/8-18 NPT	1-23/64" HEX	29/32"	1/4"
RB10012	3-RB10012	1 - 11 1/2 NPT	1/2-14 NPT	1-23/64" HEX	29/32"	1/4"
RB10034	3-RB10034	1 - 11 1/2 NPT	3/4-14 NPT	1-23/64" HEX	29/32"	1/4"
RB11412-NS	3-RB11412-NS	1 1/4 - 11 1/2 NPT	1/2-14 NPT	1-11/16" HEX	1-1/8"	5/16"
RB11434-NS	3-RB11434-NS	1 1/4 - 11 1/2 NPT	3/4-14 NPT	1-11/16" HEX	1-1/8"	5/16"
RB114100-NS	3-RB114100-NS	1 1/4 - 11 1/2 NPT	1 - 11 1/2 NPT	1-11/16" HEX	1-1/8"	5/16"
RB11212-NS	3-RB11212-NS	1 1/2 - 11 1/2 NPT	1/2-14 NPT	2-1/32" HEX	1-5/32"	5/16"
RB11234-NS	3-RB11234-NS	1 1/2 - 11 1/2 NPT	3/4-14 NPT	2-1/32" HEX	1-5/32"	5/16"
RB112100-NS	3-RB112100-NS	1 1/2 - 11 1/2 NPT	1 - 11 1/2 NPT	2-1/32" HEX	1-5/32"	5/16"
RB112114-NS	3-RB112114-NS	1 1/2 - 11 1/2 NPT	1 1/4 - 11 1/2 NPT	2-1/32" HEX	1-5/32"	5/16"
RB20012-NS	3-RB20012-NS	2 - 11 1/2 NPT	1/2-14 NPT	2-15/32" HEX	1-3/16"	5/16"
RB20034-NS	3-RB20034-NS	2-11 1/2 NPT	3/4-14 NPT	2-15/32" HEX	1-3/16"	5/16"
RB200100-NS	3-RB200100-NS	2 - 11 1/2 NPT	1 - 11 1/2 NPT	2-15/32" HEX	1-3/16"	5/16"
RB200114-NS	3-RB200114-NS	2 - 11 1/2 NPT	1 1/4 - 11 1/2 NPT	2-15/32" HEX	1-3/16"	5/16"
RB200112-NS	3-RB200112	2 - 11 1/2 NPT	1 1/2 - 11 1/2 NPT	2-15/32" HEX	1-3/16"	5/16"

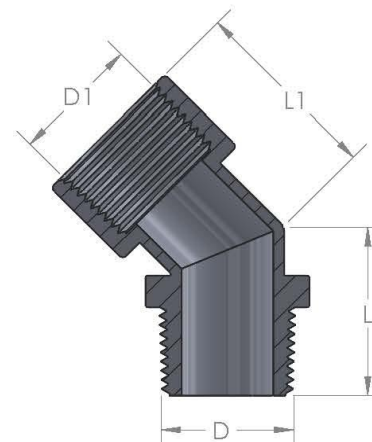
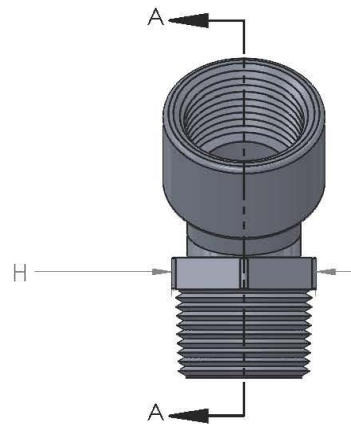
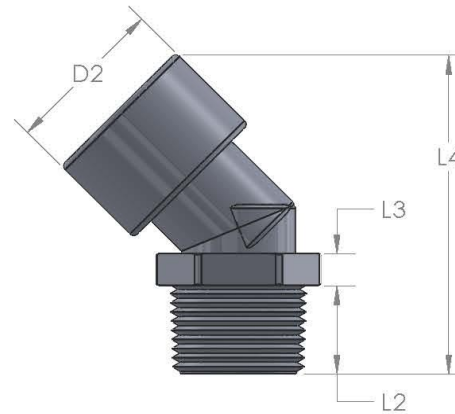
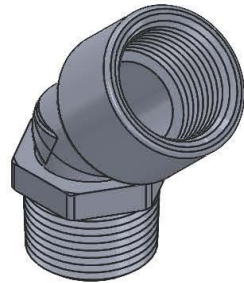


SECTION A-A

## "SE" SERIES

## "SE" Series

Street Elbow, 90 Degrees / Male Pipe Thread by Female Pipe Thread					
NATURAL NYLON	BLACK POLYPROPYLENE	D	D1	L	L1
SE18-NS	3-SE18-NS	1/8-27 NPT	1/8-27 NPT	1-59/64"	1-59/64"
SE14	3-SE14	1/4-18 NPT	1/4-18 NPT	1"	1"
SE38-NS	3-SE38-NS	3/8-18 NPT	3/8-18 NPT	1-1/4"	1-1/4"
SE12	3-SE12	1/2-14 NPT	1/2-14 NPT	1-3/8"	1-3/8"
SE34	3-SE34	3/4-14 NPT	3/4-14 NPT	1-1/2"	1-1/2"
SE112-NS	3-SE112-NS	1 1/2-11 1/2"	1 1/2-11 1/2"	2-7/32"	2-39/64"
SE200-NS	3-SE200-NS	2-11 1/2"	2-11 1/2"	2-33/64"	2-25/32"

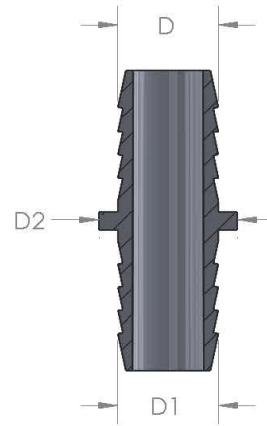
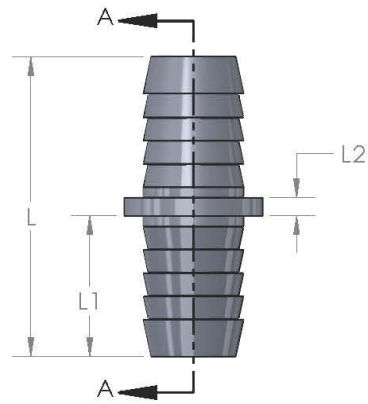
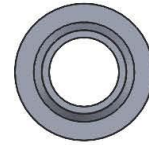
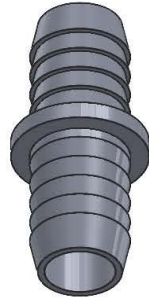


SECTION A-A

**SE3445**

# SExx45

Street Elbow, 45 Degrees / Male Pipe Thread by Female Pipe Thread										
NATURAL NYLON	BLACK POLYPROPYLENE	D	D1	D2	H	L	L1	L2	L3	L4
SE3445	3-SE3445	3/4-14 NPT	3/4-14 NPT	1-1/4"	1-1/8" HEX	1-5/16"	1-9/64"	13/16"	1/4"	11/16"



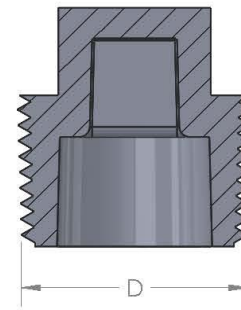
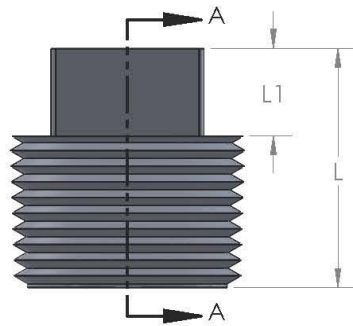
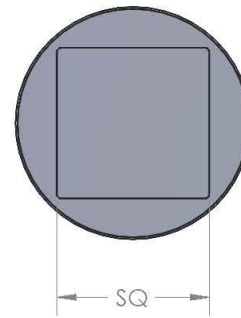
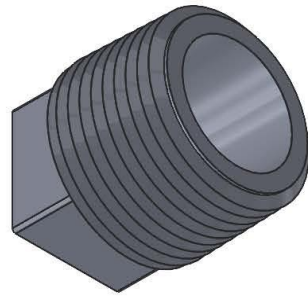
SECTION A-A

# "SHM" SERIES



## "SHM" Series

Mender / Hose Barb to Hose Barb With Stop							
NATURAL NYLON	BLACK POLYPROPYLENE	D	D1	D2	L	L1	L2
SHM14	3-SHM14	1/4"	1/4"	1/2"	2-1/64"	61/64"	1/8"
SHM38	3-SHM38	3/8"	3/8"	5/8"	2-1/64"	61/64"	1/8"
SHM1238	3-SHM1238	1/2"	3/8"	13/16"	2-1/64"	61/64"	1/8"
SHM12	3-SHM12	1/2"	1/2"	13/16"	2-1/64"	61/64"	1/8"
SHM1258	3-SHM1258-NS	1/2"	5/8"	15/16"	2-1/64"	61/64"	1/8"
SHM58	3-SHM58	5/8"	5/8"	15/16"	2-1/64"	61/64"	1/8"
SHM34	3-SHM34	3/4"	3/4"	1-5/32"	2-1/64"	61/64"	1/8"
SHM100	3-SHM100	1"	1"	1-9/32"	2-25/64"	1-1/8"	1/8"
SHM114	3-SHM114	1 1/4"	1 1/4"	1-3/4"	3"	1-3/8"	1/4"
SHM112	3-SHM112	1 1/2"	1 1/2"	1-31/32"	3-17/32"	1-5/8"	5/16"
SHM200-NS	3-SHM200-NS	2"	2"	2-7/32"	4-5/8"	2-13/64"	7/32"

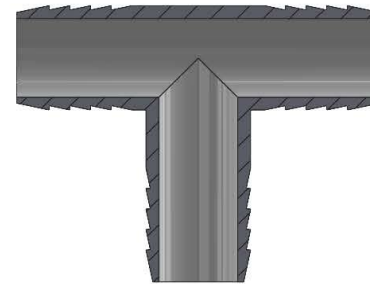
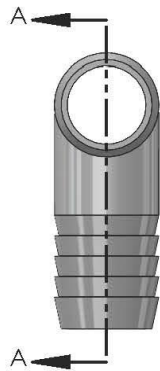
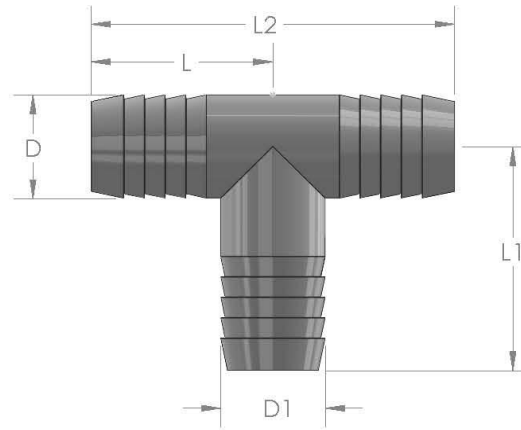
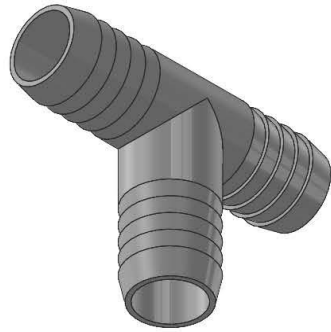


SECTION A-A

## "SP" SERIES

## "SP" Series

Pipe Plug Square Head					
NATURAL NYLON	BLACK POLYPROPYLENE	D	SQ	L	L1
SP34-NS	3-SP34-NS	3/4-14 NPT	11/16"	1-5/64"	25/64"

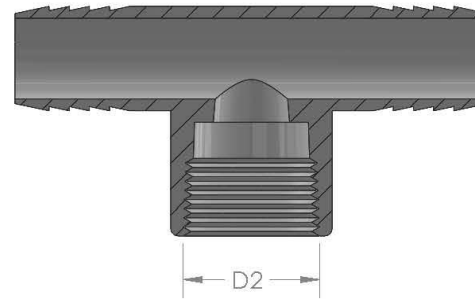
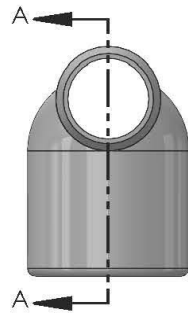
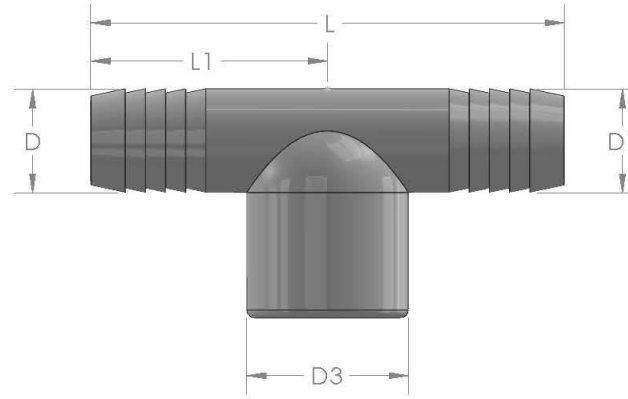
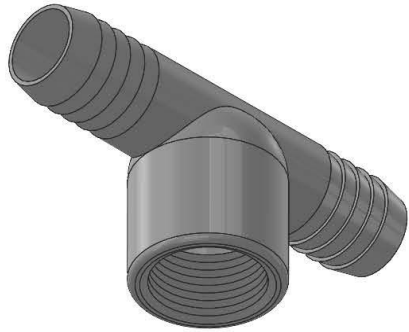


SECTION A-A

## "T" SERIES

## "T" Series

Tee / Hose Barb to Hose Barbs						
NATURAL NYLON	BLACK POLYPROPYLENE	D	D1	L	L1	L2
T14	3-T14	1/4"	1/4"	1-11/64"	1-9/16"	2-11/32"
T1438-NS	3-T1438-NS	3/8"	1/4"	1-7/32"	1-9/16"	2-7/16"
T38	3-T38	3/8"	3/8"	1-7/32"	1-9/16"	2-7/16"
T3812-NS	3-T3812	1/2"	3/8"	1-9/32"	1-9/16"	2-9/16"
T3858-NS	3-T3858-NS	5/8"	3/8"	1-23/64"	1-9/16"	2-23/32"
T1238-NS	3-T1238	3/8"	1/2"	1-7/32"	1-9/16"	2-7/16"
T12	3-T12	1/2"	1/2"	1-9/32"	1-9/16"	2-9/16"
T58	3-T58	5/8"	5/8"	1-11/32"	1-3/4"	2-11/16"
T3412-NS	3-T3412-NS	1/2"	3/4"	1-9/32"	1-3/4"	2-9/16"
T34	3-T34	3/4"	3/4"	1-13/32"	1-3/4"	2-13/16"
T100	3-T100	1"	1"	1-11/16"	1-7/8"	3-3/8"
T114-NS	3-T114-NS	1-1/4"	1-1/4"	2-3/8"	2-11/32"	4-3/4"
T112-NS	3-T112-NS	1-1/2"	1-1/2"	2-39/64"	2-11/32"	5-7/32"
T200-NS	3-T200	2"	2"	3-7/32"	3-7/32"	6-7/16"

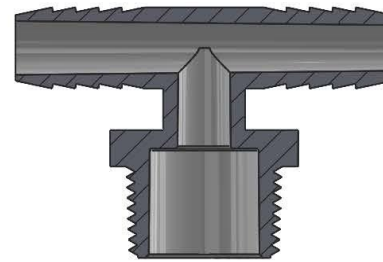
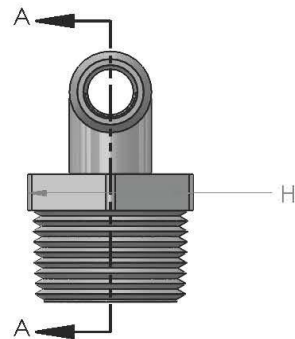
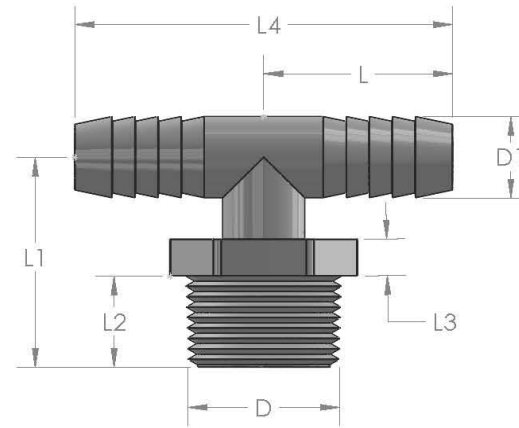


SECTION A-A

## "TxxF" SERIES

## "TxxF" Series

Tee / Female Pipe Thread to Hose Barbs							
NATURAL NYLON	BLACK POLYPROPYLENE	D	D1	D2	D3	L	L1
T34F-NS	3-T34F	3/4"	3/4"	3/4-14 NPT	1-1/4"	3-43/64"	1-53/64"
T34114F-NS	3-T34114F	1-1/4"	1-1/4"	3/4-14 NPT	1-1/4"	5-3/64"	2-33/64"



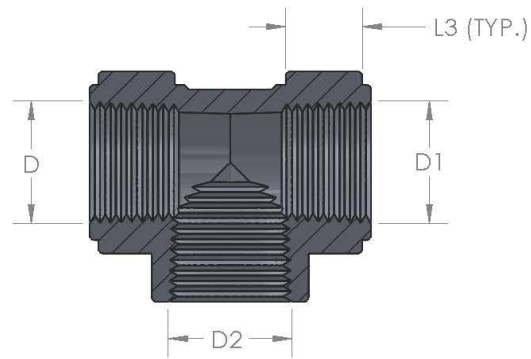
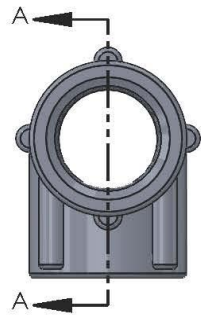
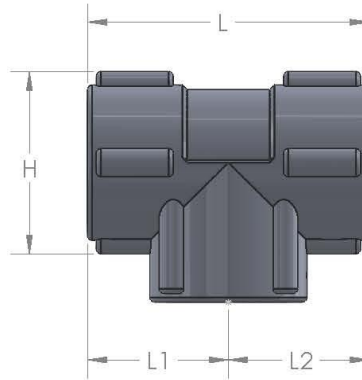
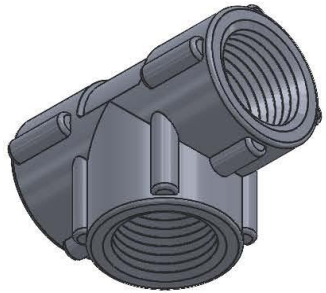
SECTION A-A

## "TxxT" SERIES



## "TxxT" Series

Tee / Male Pipe Thread to Hose Barbs									
NATURAL NYLON	BLACK POLYPROPYLENE	D	D1	H	L	L1	L2	L3	L4
T1814T-NS	3-T1814T-NS	1/8-27 NPT	1/4"	5/8" HEX	1-5/32"	1-9/32"	15/32"	1/4"	2-21/64"
T14T-NS	3-T14T-NS	1/4-18 NPT	1/4"	5/8" HEX	1-5/32"	1-5/16"	1/2"	1/4"	2-21/64"
T1438T	3-T1438T-NS	1/4-18 NPT	3/8"	5/8" HEX	1-7/32"	1-5/16"	1/2"	1/4"	2-7/16"
T1412T-NS	3-T1412T-NS	1/4-18 NPT	1/2"	5/8" HEX	1-9/32"	1-5/16"	1/2"	1/4"	2-9/16"
T3814T-NS	3-T3814T-NS	3/8-18 NPT	1/4"	3/4" HEX	1-5/32"	1-3/8"	9/16"	1/4"	2-21/64"
T38T-NS	3-T38T	3/8-18 NPT	3/8"	3/4" HEX	1-7/32"	1-3/8"	9/16"	1/4"	2-7/16"
T3812T-NS	3-T3812T-NS	3/8-18 NPT	1/2"	3/4" HEX	1-9/32"	1-3/8"	9/16"	1/4"	2-9/16"
T1238T	3-T1238T-NS	1/2-14 NPT	3/8"	15/16" HEX	1-7/32"	1-3/8"	9/16"	1/4"	2-7/16"
T12T	3-T12T-NS	1/2-14 NPT	1/2"	15/16" HEX	1-9/32"	1-3/8"	9/16"	1/4"	2-9/16"
T1258T-NS	3-T1258T-NS	1/2-14 NPT	5/8"	15/16" HEX	1-11/32"	1-9/16"	9/16"	1/4"	2-11/16"
T1234T-NS	3-T1234T-NS	1/2-14 NPT	3/4"	15/16" HEX	1-13/32"	1-9/16"	9/16"	1/4"	2-13/16"
T3438T-NS	3-T3438T-NS	3/4-14 NPT	3/8"	1-1/8" HEX	1-7/32"	1-7/16"	5/8"	1/4"	2-7/16"
T3412T-NS	3-T3412T-NS	3/4-14 NPT	1/2"	1-1/8" HEX	1-9/32"	1-7/16"	5/8"	1/4"	2-9/16"
T3458T-NS	3-T3458T-NS	3/4-14 NPT	5/8"	1-1/8" HEX	1-11/32"	1-5/8"	5/8"	1/4"	2-11/16"
T34T	3-T34T	3/4-14 NPT	3/4"	1-1/8" HEX	1-13/32"	1-5/8"	5/8"	1/4"	2-13/16"



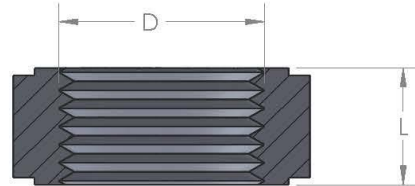
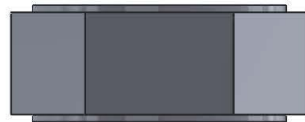
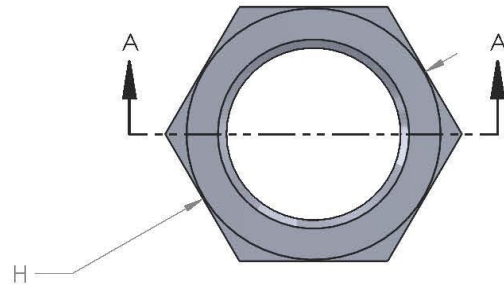
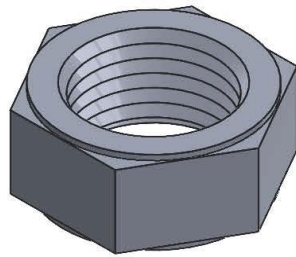
SECTION A-A

## "TTxxN" SERIES

## "TTxxN" Series

Tee / Female Pipe Thread's with Knurls									
NATURAL NYLON	BLACK POLYPROPYLENE	D	D1	D2	H	L	L1	L2	L3
TT14N	3-TT14N	1/4-18 NPT	1/4-18 NPT	1/4-18 NPT	7/8"	1-1/2"	3/4"	3/4"	3/8"
TT12N	3-TT12N	1/2-14 NPT	1/2-14 NPT	1/2-14 NPT	1-1/4"	1-29/32"	61/64"	61/64"	33/64"

# AGRICULTURAL FITTINGS

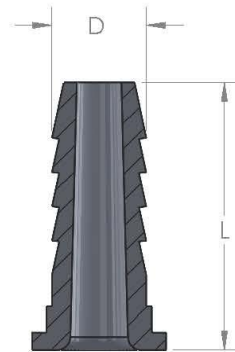
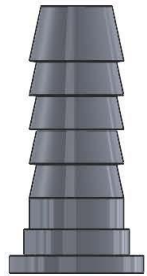
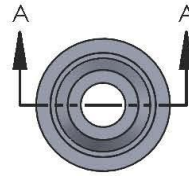
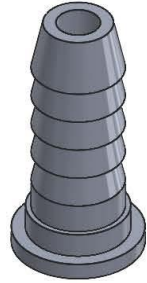


SECTION A-A

## "B12" SERIES

## "B12" Series

Nozzle Nut				
NATURAL NYLON	BLACK POLYPROPYLENE	D	H	L
B12	3-B12	11/16-16 UN	7/8"	13/32"



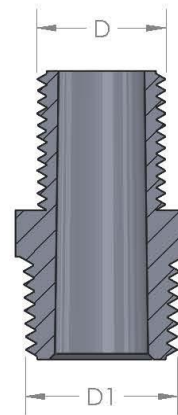
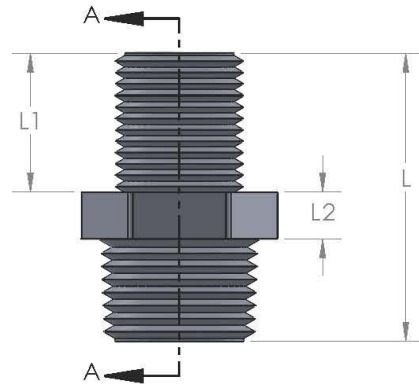
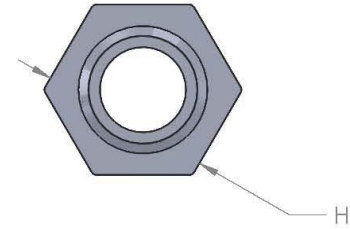
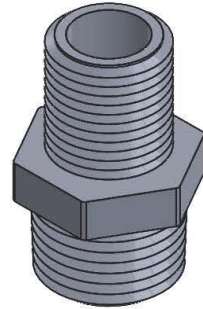
SECTION A-A

## "K" SERIES

## "K" Series

Barbed Nozzle Fitting			
NATURAL NYLON	BLACK POLYPROPYLENE	D	L
K8414	3-K8414	1/4"	1-13/64"
K8438	3-K8438	3/8"	1-13/64"
K8412	3-K8412	1/2"	1-13/64"

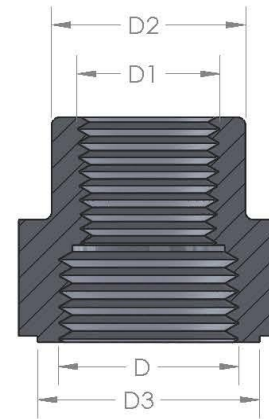
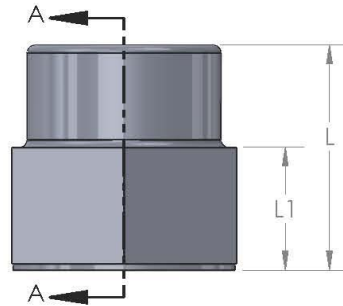
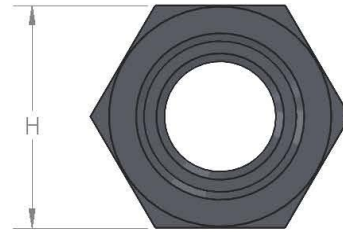
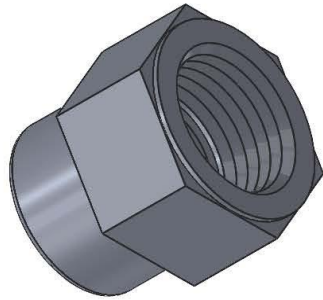




## "NB" SERIES

## "NB" Series

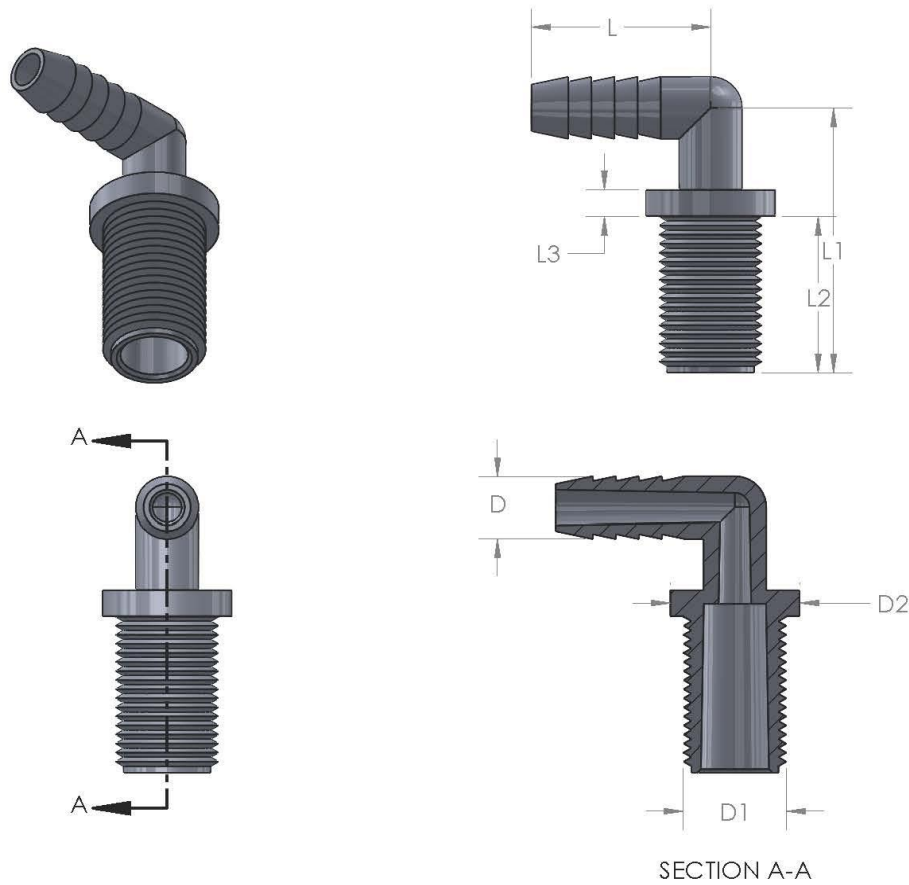
Nipple / Male Straight Thread to Male Pipe Thread							
NATURAL NYLON	BLACK POLYPROPYLENE	D	D1	H	L	L1	L2
NB1614	3-NB1614	11/16-16 UN	1/4-18 NPT	3/4" HEX	1-1/2"	3/4"	1/4"
NB1612-NS	3-NB1612	11/16-16 UN	1/2-14 NPT	15/16" HEX	1-9/16"	3/4"	1/4"



## "NF" SERIES

## "NF" Series

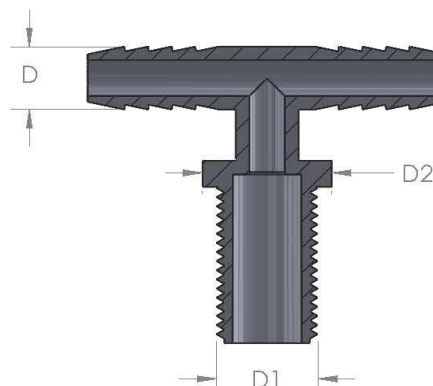
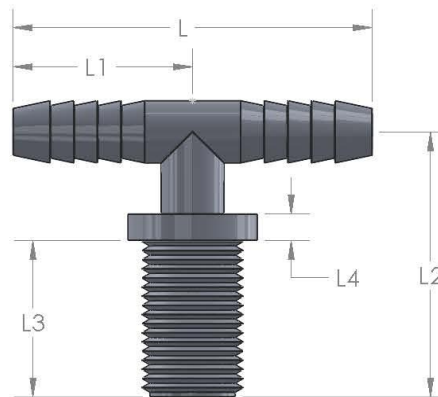
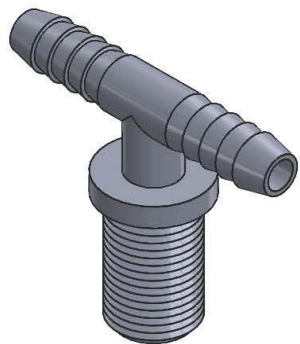
Coupling / Female Pipe Thread to Female Straight Thread								
NATURAL NYLON	BLACK POLYPROPYLENE	D	D1	D2	D3	H	L	L1
NF1614	3-NF1614	11/16-16 UN	1/4-18 NPT	3/4"	55/64"	7/8"	7/8"	31/64"



## "NTL" SERIES

## "NTL" Series

Elbow / Male Straight Thread to Hose Barb								
NATURAL NYLON	BLACK POLYPROPYLENE	D	D1	D2	L	L1	L2	L3
NTL14-NS	3-NTL14-NS	1/4"	11/16-16 UN	7/8"	1-5/32"	1-13/16"	1-1/16"	3/16"
NTL38	3-NTL38	3/8"	11/16-16 UN	7/8"	1-7/32"	1-13/16"	1-1/16"	3/16"
NTL12	3-NTL12	1/2"	11/16-16 UN	7/8"	1-9/32"	1-13/16"	1-1/16"	3/16"
NTL58-NS	3-NTL58-NS	5/8"	11/16-16 UN	7/8"	1-11/32"	2"	1-1/16"	3/16"
NTL34-NS	3-NTL34	3/4"	11/16-16 UN	7/8"	1-13/32"	2"	1-1/16"	3/16"



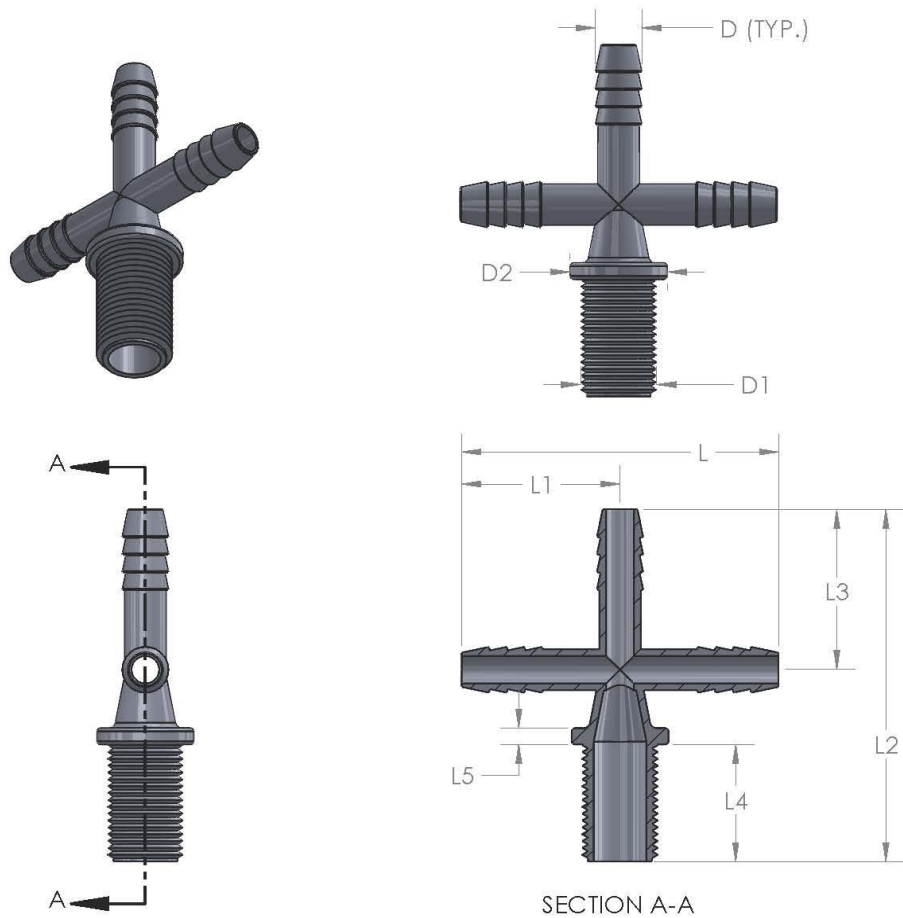
SECTION A-A

# "NTT" SERIES

## "NTT" Series

Barbed Tee to Male Straight Thread									
NATURAL NYLON	BLACK POLYPROPYLENE	D	D1	D2	L	L1	L2	L3	L4
NTT38	3-NTT38	3/8"	11/16-16 UN	7/8"	2-7/16"	1-7/32"	1-13/16"	1-1/16"	3/16"
NTT12	3-NTT12	1/2"	11/16-16 UN	7/8"	2-9/16"	1-9/32"	1-13/16"	1-1/16"	3/16"
NTT58-NS	3-NTT58-NS	5/8"	11/16-16 UN	7/8"	2-11/16"	1-11/32"	2"	1-1/16"	3/16"
NTT34-NS	3-NTT34	3/4"	11/16-16 UN	7/8"	2-13/16"	1-13/32"	2"	1-1/16"	3/16"

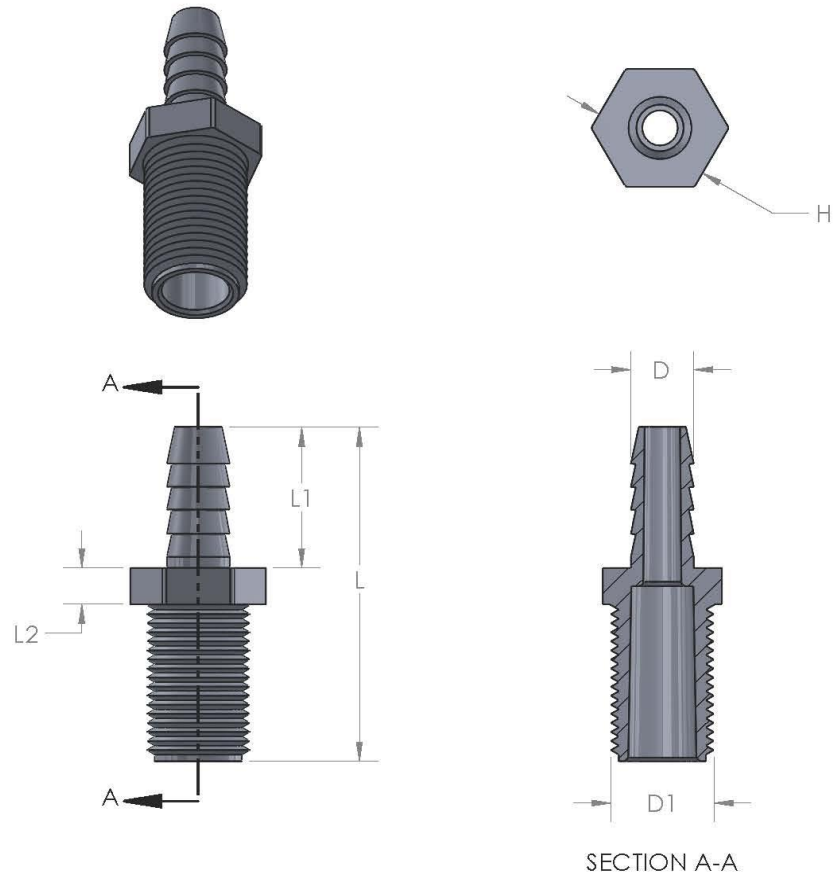




## "TxxC" SERIES

## "TxxC" Series

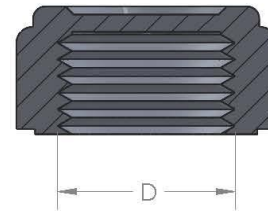
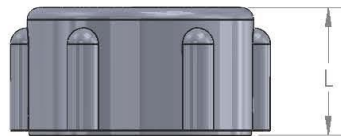
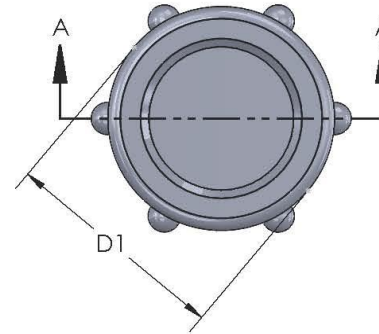
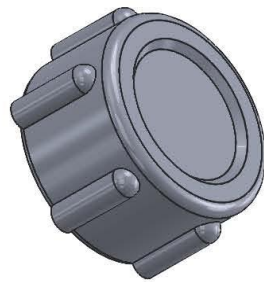
Cross / Hose Barbs to Male Straight Thread										
NATURAL NYLON	BLACK POLYPROPYLENE	D	D1	D2	L	L1	L2	L3	L4	L5
T38C-NS	3-T38C-NS	3/8"	11/16-16 UN	7/8"	2-7/8"	1-7/16"	3-3/16"	1-7/16"	1-1/16"	5/32"
T12C-NS	3-T12C-NS	1/2"	11/16-16 UN	7/8"	1-63/64"	1-1/2"	3-5/16"	1-1/2"	1-1/16"	5/32"
T34C-NS	3-T34C-NS	3/4"	11/16-16 UN	7/8"	3-1/4"	1-5/8"	3-17/32"	1-5/8"	1-1/16"	5/32"



## "38xxD" SERIES

## "38xxD" Series

Male Straight Thread to Hose Barb							
NATURAL NYLON	BLACK POLYPROPYLENE	D	D1	H	L	L1	L2
38D	3-38D	3/8"	11/16-16 UN	13/16" HEX	2-17/64"	61/64"	1/4"
3812D	3-3812D	1/2"	11/16-16 UN	13/16" HEX	2-17/64"	64/64"	1/4"

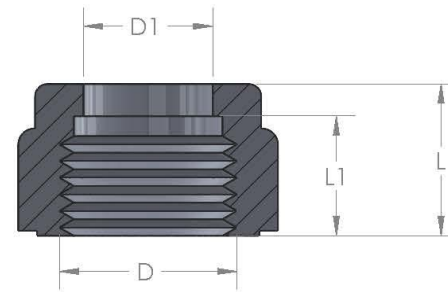
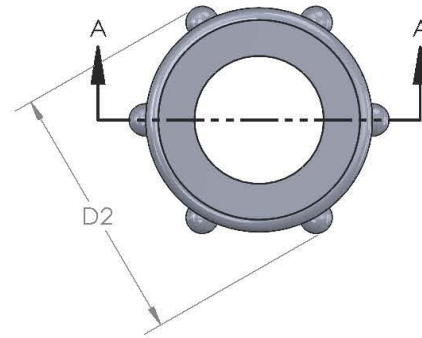
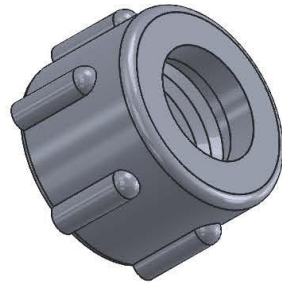


SECTION A-A

## "3942" SERIES

## "3942" Series

Knurled Cap				
NATURAL NYLON	BLACK POLYPROPYLENE	D	D1	L
3942	3-3942	11/16-16 UN	7/8"	1/2"



SECTION A-A

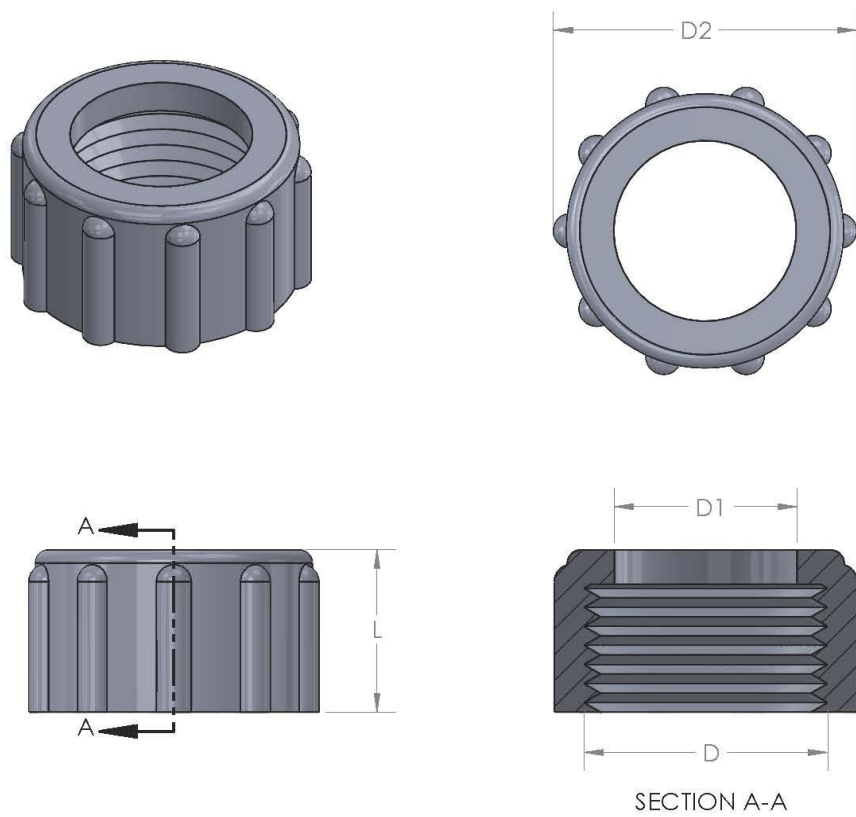
## "8027" SERIES

## "8027" Series

Swivel Nut						
NATURAL NYLON	BLACK POLYPROPYLENE	D	D1	D2	L	L1
8027	3-8027	11/16-16 UN	1/2"	1"	19/32"	15/32"



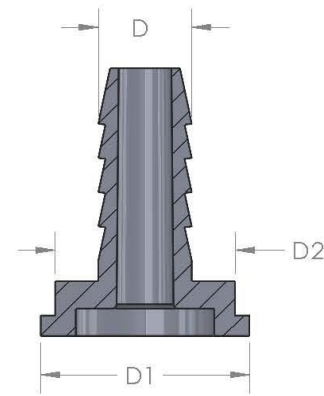
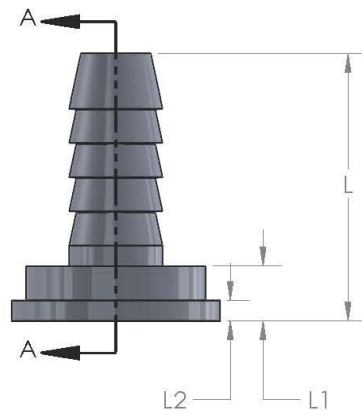
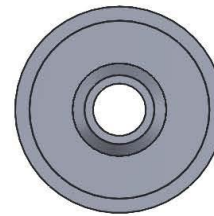
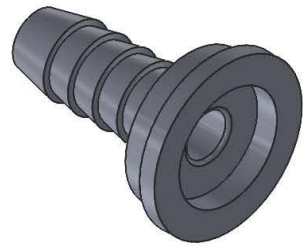
# GARDEN HOSE FITTINGS



# "B" SERIES

## "B" Series

Knurled Swivel Nut					
NATURAL NYLON	BLACK POLYPROPYLENE	D	D1	D2	L
B34	3-B34	3/4-11 1/2 NH	27/32"	1-3/8"	3/4"
B35	3-B35-NS	3/4-14 FPS	27/32"	1-3/8"	3/4"

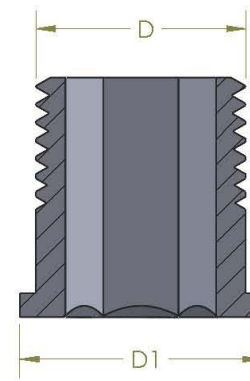
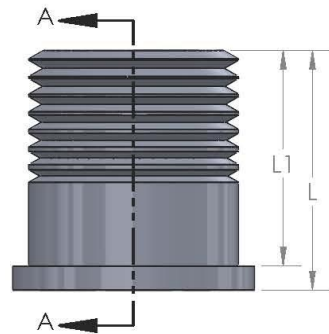
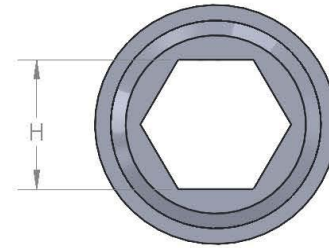
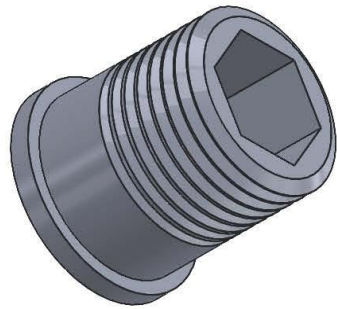


SECTION A-A

## "C" SERIES

## "C" Series

Hose Barb Flat Seat							
NATURAL NYLON	BLACK POLYPROPYLENE	D	D1	D2	L	L1	L2
C14	3-C14	1/4"	15/16"	13/16"	1-13/64"	1/4"	3/32"
C38	3-C38	3/8"	15/16"	13/16"	1-13/64"	1/4"	3/32"
C12	3-C12	1/2"	15/16"	13/16"	1-13/64"	1/4"	3/32"
C58	3-C58-NS	5/8"	15/16"	13/16"	1-13/64"	1/4"	3/32"
C34	3-C34	3/4"	15/16"	13/16"	1-13/64"	1/4"	3/32"

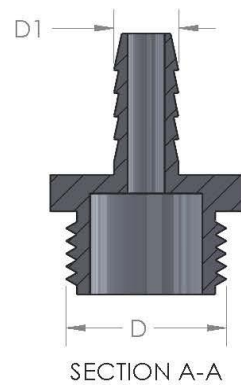
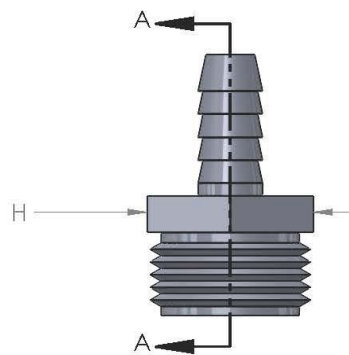
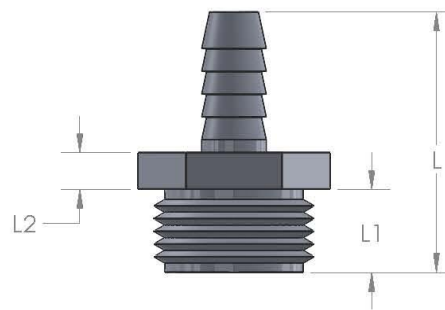
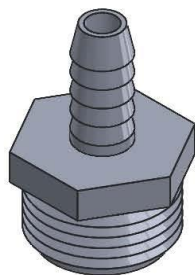


SECTION A-A

## "CxxNPT" SERIES

## "CxxNPT" Series

Adapter / Male Pipe Thread to Female Garden Hose Thread Swivel						
NATURAL NYLON	BLACK POLYPROPYLENE	D	D1	L	L1	HEX
C38NPT-NS	3-C38NPT-NS	3/8-18 NPT	15/16"	59/64"	53/64"	3/8"
C12NPT	3-C12NPT	1/2-14 NPT	15/16"	59/64"	53/64"	1/2"

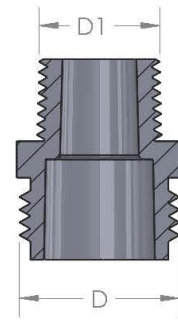
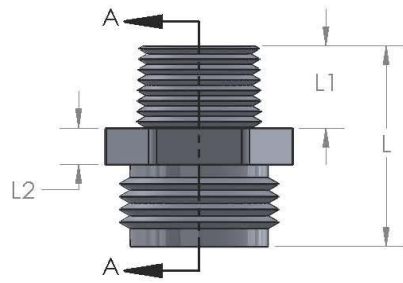
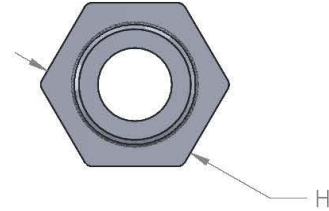
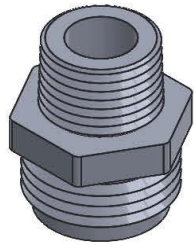


## "D" SERIES



## "D" Series

Adapter / Male Garden Hose Thread to Hose Barb							
NATURAL NYLON	BLACK POLYPROPYLENE	D	D1	H	L	L1	L2
D3414	3-D3414	3/4-11 1/2 NH	1/4"	1-1/8" HEX	1-3/4"	9/16"	1/4"
D3438	3-D3438	3/4-11 1/2 NH	3/8"	1-1/8" HEX	1-3/4"	9/16"	1/4"
D3412	3-D3412	3/4-11 1/2 NH	1/2"	1-1/8" HEX	1-3/4"	9/16"	1/4"
D3458	3-D3458-NS	3/4-11 1/2 NH	5/8"	1-1/8" HEX	1-3/4"	9/16"	1/4"
D34	3-D34	3/4-11 1/2 NH	3/4"	1-1/8" HEX	1-3/4"	9/16"	1/4"

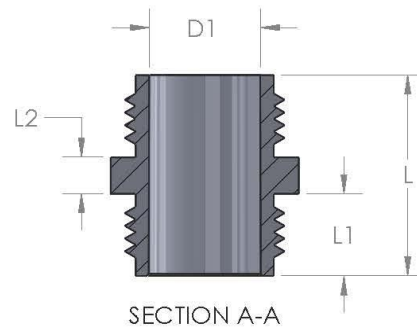
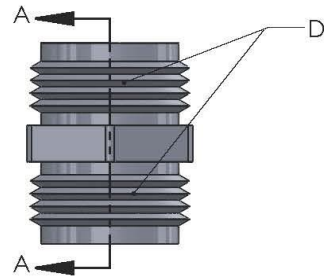
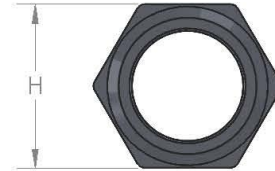
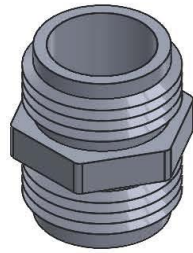


SECTION A-A

## "E" SERIES

## "E" Series

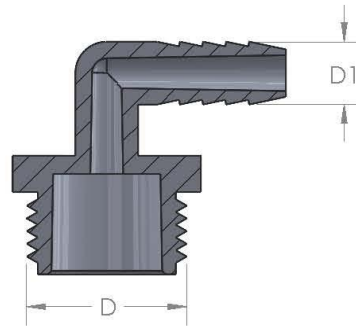
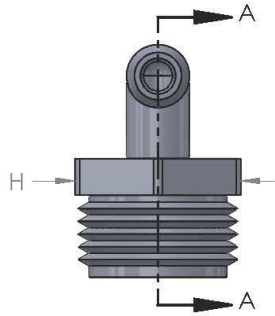
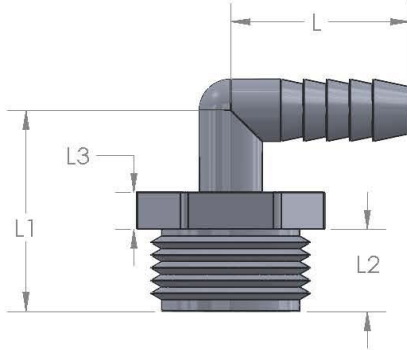
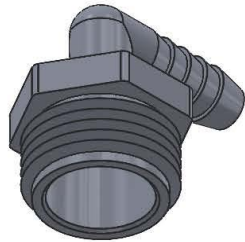
Adapter / Male Garden Hose Thread to Male Pipe Thread							
NATURAL NYLON	BLACK POLYPROPYLENE	D	D1	H	L	L1	L2
E3414NS	3-E3414-NS	3/4-11 1/2 NH	1/4-18 NPT	1-1/8" HEX	1-3/8"	9/16"	1/4"
E3438	3-E3438-NS	3/4-11 1/2 NH	3/8-18 NPT	1-1/8" HEX	1-3/8"	9/16"	1/4"
E3412	3-E3412	3/4-11 1/2 NH	1/2-14 NPT	1-1/8" HEX	1-3/8"	9/16"	1/4"
E34	3-E34	3/4-11 1/2 NH	3/4-14 NPT	1-1/8" HEX	1-7/16"	9/16"	1/4"
E34100-NS	3-E34100-NS	3/4-11 1/2 NH	1-11 1/2 NPT	1-1/8" HEX	1-7/16"	9/16"	1/4"



## "EE" SERIES

## "EE" Series

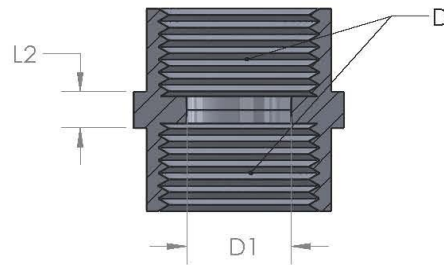
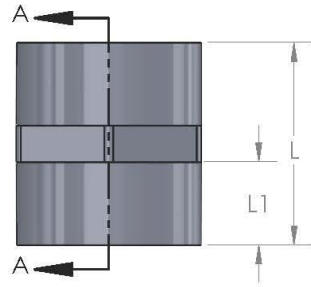
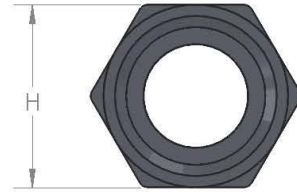
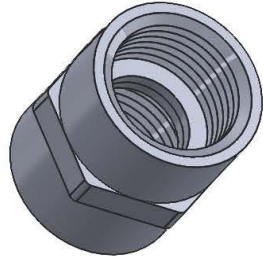
Adapter / Male Garden Hose Thread to Male Garden Hose Thread						
NATURAL NYLON	BLACK POLYPROPYLENE	D	D1	H	L	L1
EE34	3-EE34	3/4-11 1/2 NH	3/4-11 1/2 NH	1-1/8" HEX	1.37	13/16"



# "ELD" SERIES

## "ELD" Series

Elbow / Male Garden Hose Thread to Hose Barb								
NATURAL NYLON	BLACK POLYPROPYLENE	D	D1	H	L	L1	L2	L3
ELD3414-NS	3-ELD3414-NS	3/4-11 1/2 NH	1/4"	1-1/8" HEX	1-5/32"	1-3/8"	9/16"	1/4"
ELD3438-NS	3-ELD3438	3/4-11 1/2 NH	3/8"	1-1/8" HEX	1-7/32"	1-3/8"	9/16"	1/4"
ELD3412	3-ELD3412	3/4-11 1/2 NH	1/2"	1-1/8" HEX	1-9/32"	1-3/8"	9/16"	1/4"
ELD3458-NS	3-ELD3458-NS	3/4-11 1/2 NH	5/8"	1-1/8" HEX	1-11/32"	1-9/16"	9/16"	1/4"
ELD3434-NS	3-ELD3434-NS	3/4-11 1/2 NH	3/4"	1-1/8" HEX	1-13/32"	1-9/16"	9/16"	1/4"
ELD34100-NS	3-ELD34100-NS	3/4-11 1/2 NH	1"	1-1/8" HEX	1-13/32"	1-9/16"	9/16"	1/4"



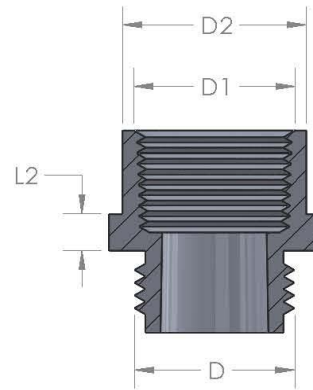
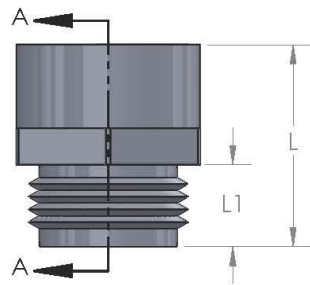
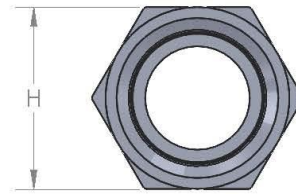
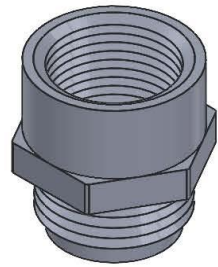
SECTION A-A

## "FG" SERIES



## "FG" Series

Adapter / Female Garden Hose Thread to Female Garden Hose Thread							
NATURAL NYLON	BLACK POLYPROPYLENE	D	D1	H	L	L1	L2
FG34	3-FG34	3/4-11 1/2 NH	23/32"	1-1/4" HEX	1.39	13/16"	1/4"

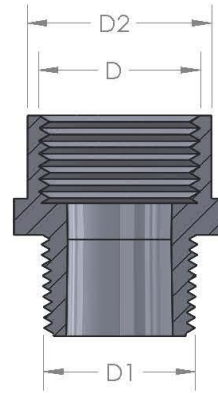
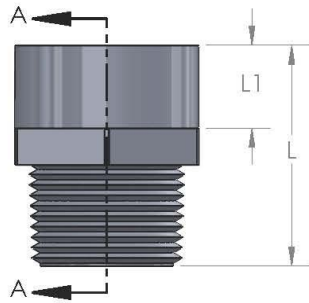
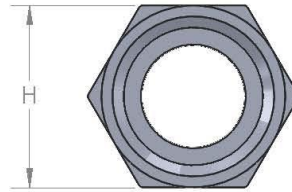
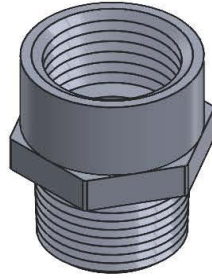


SECTION A-A

## "G" SERIES

## "G" Series

Adapter / Male Garden Hose Thread to Female Pipe Thread								
NATURAL NYLON	BLACK POLYPROPYLENE	D	D1	D2	H	L	L1	L2
G3414	3-G3414-NS	3/4-11 1/2 NH	1/4-18 NPT	7/8"	1-1/4" HEX	1-3/16"	3/8"	1/4"
G3412	3-G3412-NS	3/4-11 1/2 NH	1/2-14 NPT	1-1/4"	1-1/4" HEX	1-3/8"	9/16"	1/4"
G34	3-G34	3/4-11 1/2 NH	3/4-14 NPT	1-1/4"	1-1/4" HEX	1-3/8"	9/16"	1/4"

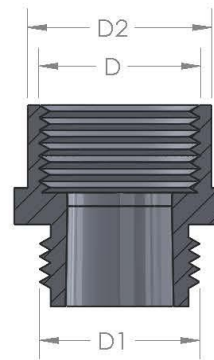
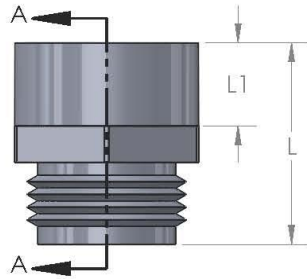
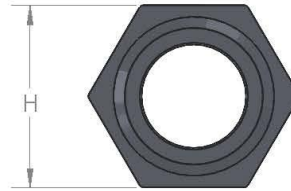
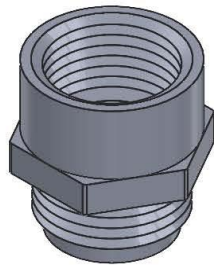


SECTION A-A

# "H" SERIES

## "H" Series

Adapter / Female Garden Hose Thread to Male Pipe Thread							
NATURAL NYLON	BLACK POLYPROPYLENE	D	D1	D2	H	L	L1
H34	3-H34	3/4-11 1/2 NH	3/4-14 NPT	1-1/4"	1-1/4" HEX	1-1/2"	13/16"

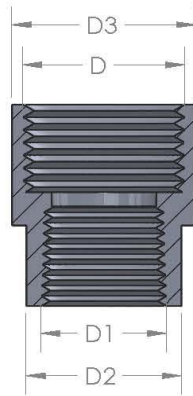
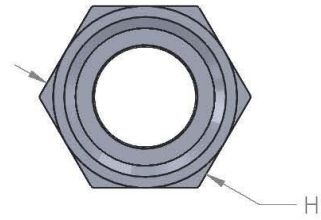
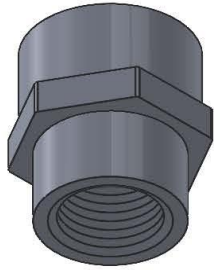


SECTION A-A

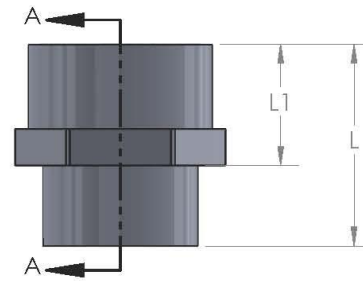
# "I" SERIES

## "I" Series

Adapter / Female Garden Hose Thread to Male Garden Hose Thread							
NATURAL NYLON	BLACK POLYPROPYLENE	D	D1	D2	H	L	L1
I34-NS	3-I34-NS	3/4-11 1/2 NH	3/4-11 1/2 NH	1-1/4"	1-1/4" HEX	1-3/8"	13/16"



SECTION A-A

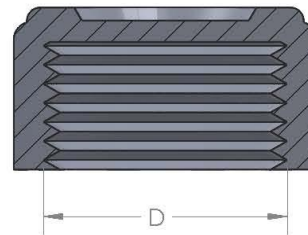
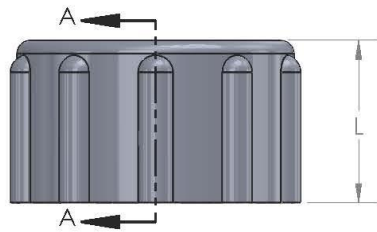
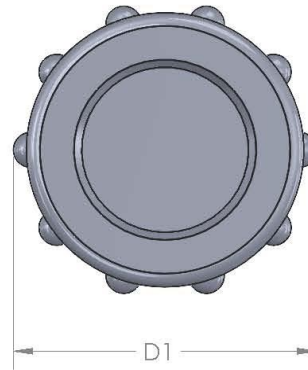
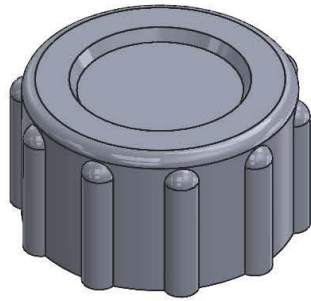


## "J" SERIES



## "J" Series

Coupling / Female Garden Hose Thread to Female Pipe Thread								
NATURAL NYLON	BLACK POLYPROPYLENE	D	D1	D2	D3	H	L	L1
J3412	3-J3412	3/4-11 1/2 NH	1/2-14 NPT	1-1/16"	1-1/4"	1-1/4" HEX	1-7/16"	13/16"
J3434	3-J3434	3/4-11 1/2 NH	3/4-11 1/2 NPT	1-21/64"	1-21/64"	1-21/64" HEX	1-31/32"	1-3/32"

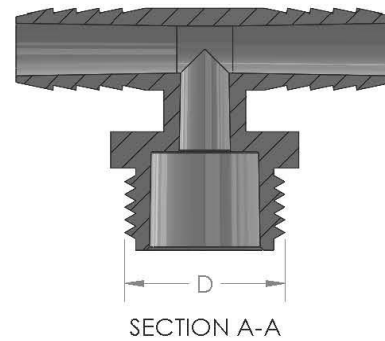
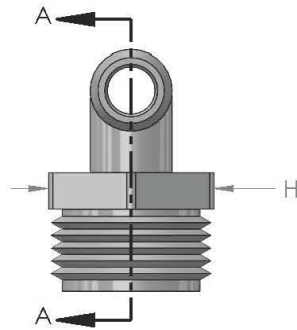
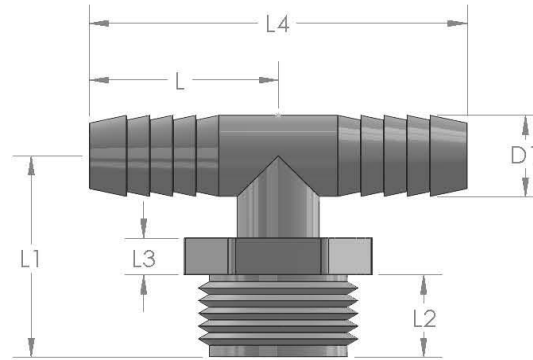


SECTION A-A

## "N" SERIES

## "N" Series

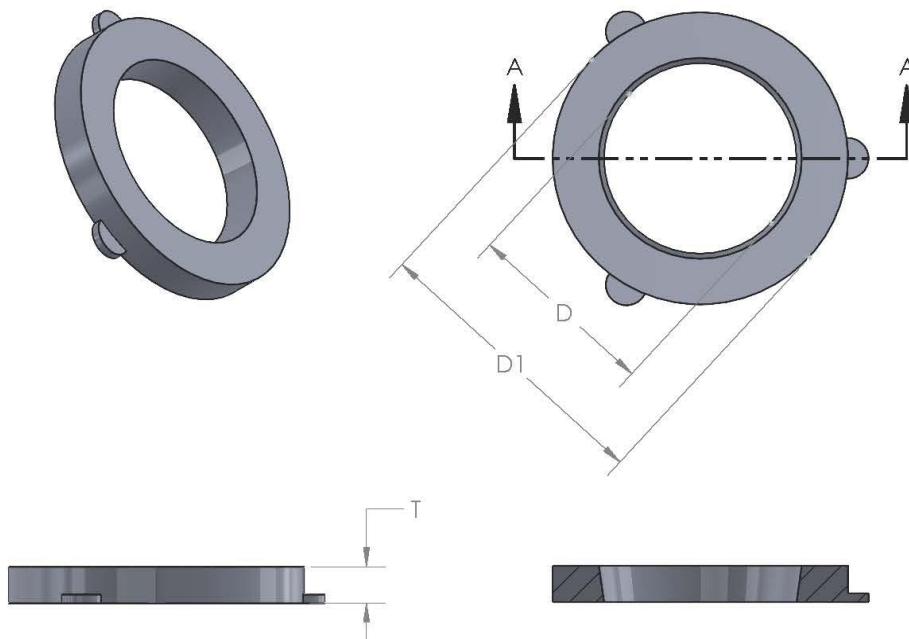
Knurled Cap				
NATURAL NYLON	BLACK POLYPROPYLENE	D	D1	L
N34	3-N34	3/4-11 1/2 NH	1-3/8"	3/4"
N35-NS	3-N35-NS	3/4-14 FPS	1-3/8"	3/4"



## "TD" SERIES

## "TD" Series

Tee / Male Garden Hose Thread to Hose Barb									
NATURAL NYLON	BLACK POLYPROPYLENE	D	D1	H	L	L1	L2	L3	L4
TD3438-NS	3-TD3438-NS	3/4-11 1/2 NH	3/8"	1-1/8" HEX	1-7/32"	1-3/8"	9/16"	1/4"	1-7/16"
TD3412-NS	3-TD3412-NS	3/4-11 1/2 NH	1/2"	1-1/8" HEX	1-9/32"	1-3/8"	9/16"	1/4"	1-9/16"
TD3458-NS	3-TD3458-NS	3/4-11 1/2 NH	5/8"	1-1/8" HEX	1-11/32"	1-9/16"	9/16"	1/4"	1-11/16"
TD3434-NS	3-TD3434-NS	3/4-11 1/2 NH	3/4"	1-1/8" HEX	1-13/32"	1-9/16"	9/16"	1/4"	1-13/16"



SECTION A-A

**W406V**

# W406V

Black Vinyl Washer			
Vinyl Part No.	T	D	D1
W406V	1/8"	21/32"	1.0"