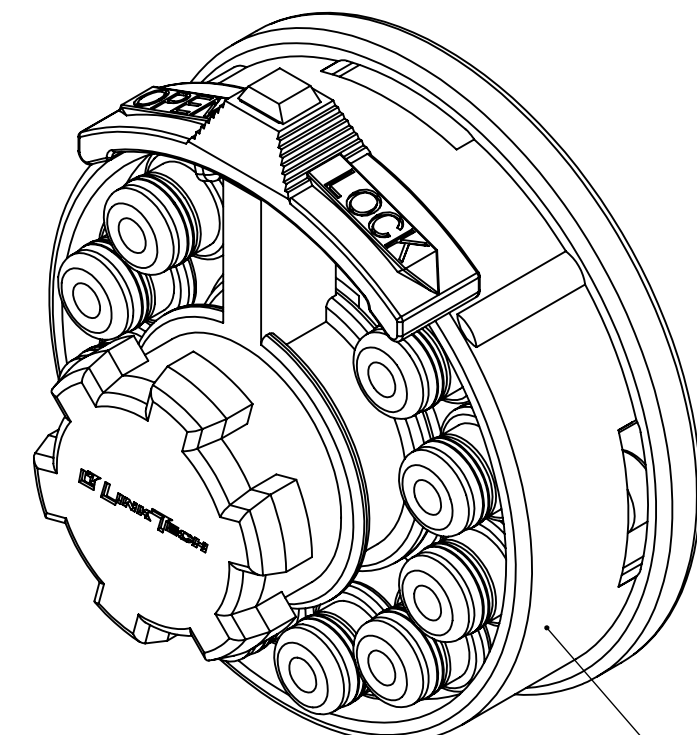
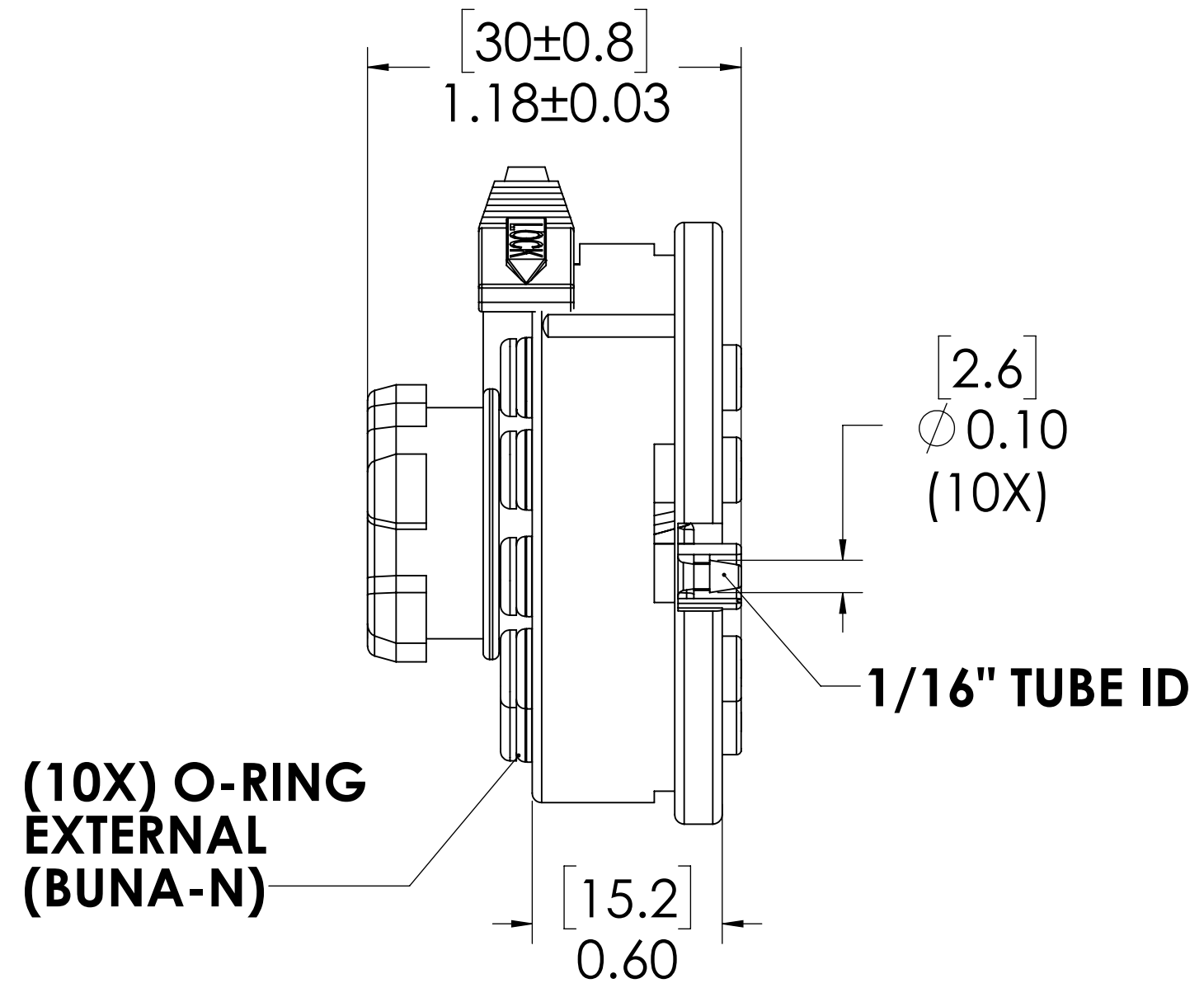
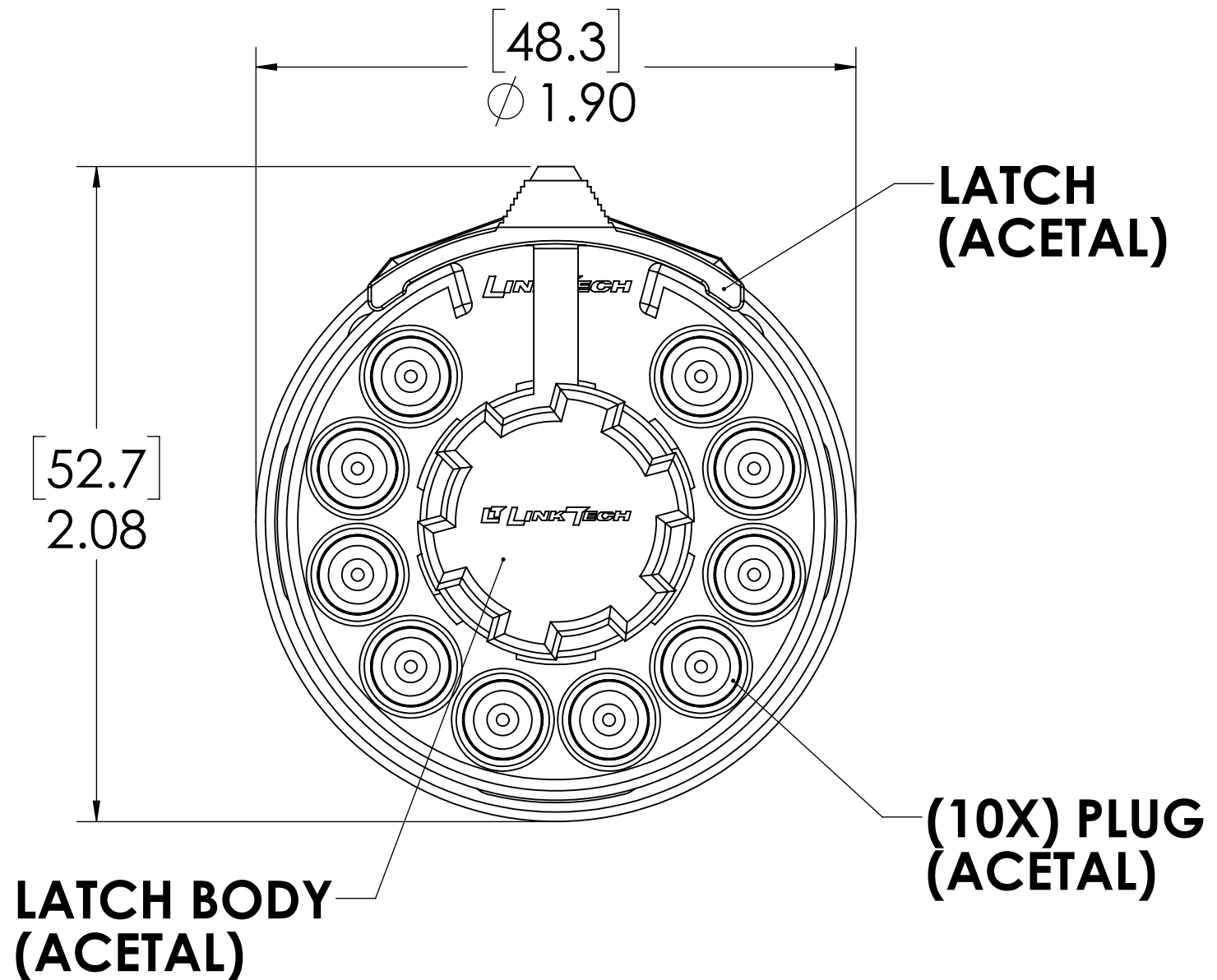


REVISIONS						
SHEET	ZONE	REV.	ECO	DESCRIPTION	DATE	APPROVED
1	ALL	A	50253	UPDATE DWG TO CURRENT FORMAT & STANDARDS	10/30/2018	HRC



**HOUSING  
(ACETAL)**



- NOTES:**
- MATERIAL: ACETAL
  - COLOR: BLACK
  - O-RING MATERIAL: BUNA-N
  - O-RINGS LUBRICATED WITH FOOD GRADE SILICONE OIL, 350 CST.

**FOR REFERENCE ONLY**

<small>UNLESS OTHERWISE SPECIFIED:          DIMENSIONS ARE IN INCHES          TOLERANCES:          FRACTIONAL ±1/32          ANGULAR: MACH: ±0.5 BEND ±2          ONE PLACE DECIMAL ±0.1          TWO PLACE DECIMAL ±0.01          THREE PLACE DECIMAL ±0.005          TWO PLACE DUAL (mm) [±0.12]</small>	<small>DRAWN</small> <b>ER</b>	<small>DATE</small> <b>11/01/17</b>		
	<small>CHECKED</small> <b>HRC</b>	<small>DATE</small> <b>11/01/17</b>		<small>PART NO.:</small> <b>100AC-PB2-01</b>
	<small>ENG APPR.</small> <b>HRC</b>	<small>DATE</small> <b>10/30/18</b>		<small>DESCRIPTION:</small> <b>LinkTech 100AC Series Straight Male, Non-Valved, 1/16" HB</b>
	<small>MFG APPR.</small> <b>BDB</b>	<small>DATE</small> <b>10/30/18</b>		<small>SIZE DWG. NO. REV</small> <b>C 100AC100134 A</b>
<small>PRODUCTION</small> <b>LS</b>	<small>DATE</small> <b>10/30/18</b>	<small>SCALE: NTS WEIGHT:</small>	<small>SHEET 1 OF 1</small>	
<small>PROPRIETARY AND CONFIDENTIAL          THE INFORMATION CONTAINED IN THIS DRAWING IS THE SOLE PROPERTY OF LINKTECH LLC. ANY REPRODUCTION OR DISCLOSURE IN PART OR AS A WHOLE WITHOUT THE WRITTEN PERMISSION OF LINKTECH LLC IS STRICTLY PROHIBITED.</small>				