

# SFBB Series Stainless Steel Filter Housing for 4.5" OD Cartridges



Commercial / Industrial / Filtration Applications



- Stainless steel constructions
- Rugged and capable of decades of use
- Component materials comply with US FDA and EU regulations for safe use with potable water
- Provides fine economy in a metal housing
- Mounting bracket is included
- Manufactured within an ISO 9001:2015 certified quality management system.
- Certified to NSF/ANSI-61 and 372.
- Halal certified
- Certification of Quality document can be provided upon request

## PRODUCT SPECIFICATIONS



### Materials of Construction

Shell Components: 304 Stainless Steel  
Seal Options: EPDM, FKM, NBR



### Dimensions

Diameter: 127mm (5")  
Length: 10" nominal (15.25" actual)  
20" nominal (25.25" actual)  
Cartridge Fit: 9.75" - 10" for 10" models  
19.5" - 20 for 20" models

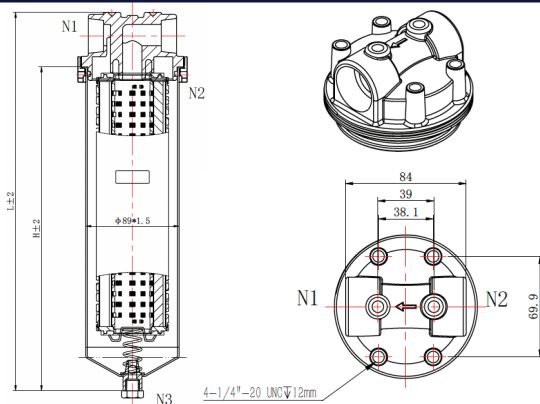


### Operating Conditions\*

Max Operating Temperature: 210°F (99°C)  
Design Pressure: 10 bar (150 psi) @ 210°F (99°C)  
Flow Rate: 12 GPM for 10" models  
24 GPM for 20" models

\*Temperature ratings vary and depend on pressure and time under load.

## DIMENSIONS



## QUESTIONS?

Ask our Service Representatives at:

888.859.1188 Mon. - Fri. 8a - 8p, Sat 8:30a - 4:30p EST.

Neogenic Inc. | Greenville SC | Salt Lake City UT | Houston TX

## APPLICATIONS

- Water
- Food & Beverage
- Electronics
- Coolants
- Industrial process fluid
- Under-sink or whole-house filtration
- Paints/Inks/Coatings
- Paper & Pulp
- Chemicals
- Oil / Gas
- Restaurants & Institutions

# SFBB Series Stainless Steel Filter Housing for 4.5" OD Cartridges



## PRODUCT

MODEL	LENGTH	PORTS	MATERIALS	SEALS
SFBB1-304-8	10" Nominal (15.25") Actual	1" NPT	<b>304</b> Stainless Steel	<b>Buna-N</b> (Nitrile)
SFBB1-316-8	10" Nominal (15.25") Actual	1" NPT	<b>316</b> Stainless Steel	<b>Buna-N</b> (Nitrile)
SFBB2-304-8	20" Nominal (25.75") Actual	1" NPT	<b>304</b> Stainless Steel	<b>Buna-N</b> (Nitrile)
SFBB2-316-8	20" Nominal (25.75") Actual	1" NPT	<b>316</b> Stainless Steel	<b>Buna-N</b> (Nitrile)

Note: Other port sizes and lengths may be available. Please inquire.

## ORDERING GUIDE (Example: SFBB1-304-8)

MODEL	CARTRIDGE LENGTH	MATERIAL	INLET/OUTLET
<b>SFBB</b>	<b>1-</b>	<b>304-</b>	<b>8</b>
<b>SFC</b> Single Filter Big Blue	1 = 10" 2 = 20"	<b>Blank</b> 304 SS  <b>Blank</b> 316 SS	4 = 1/2" 6 = 3/4" 8 = 1"

