

T&S BRASS AND BRONZE WORKS, INC.

2 SADDLEBACK COVE / P.O. BOX 1088 / TRAVELERS REST, SC 29690

PHONE 800-476-4103

FAX 864-834-3518



REG.#A2601
ISO #9002

Model No.

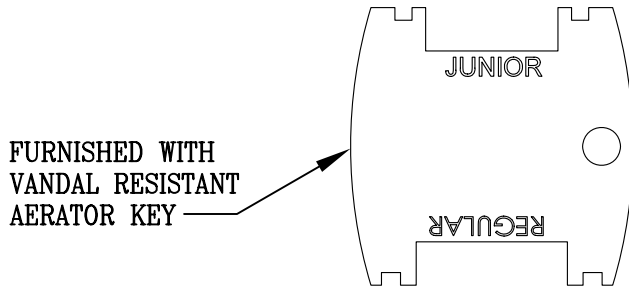
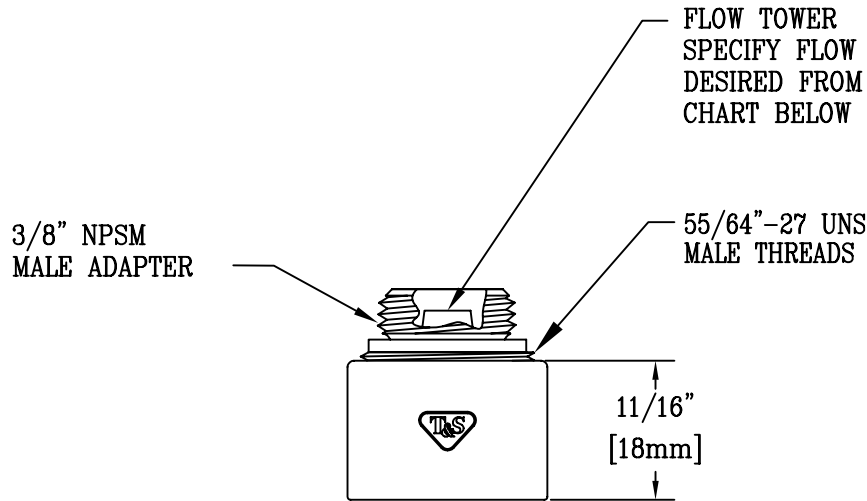
B-0199-07F

Item No.:

Job Name:

Architect/Engineer Approval:

Notes:



NOTE: SELECT FLOW CONTROL DESIRED, THEN ADD SUFFIX TO MODEL NO.

FLOW (GPM±15%)	SUFFIX	SPECIFY
0.25	-03	B-0199-07F-03
0.40	-05	B-0199-07F-05
0.70	-07	B-0199-07F-07
0.90	-10	B-0199-07F-10
1.20	-12	B-0199-07F-12
1.40	-15	B-0199-07F-15
2.00	-20	B-0199-07F-20

Product Description:

VANDAL RESISTANT FLOW CONTROL AERATOR
w/ 3/8"-18 NPSM MALE THREAD & INSTALLATION KEY

Drawn:

KJG

Checked

DMH

Scale:

1 : 1

Approved

JHB

Date:

09/08/08