



T&S BRASS AND BRONZE WORKS, INC.
 2 SADDLEBACK COVE / P.O. BOX 1088 / TRAVELERS REST, SC 29690
 PHONE 800-476-4103 - FAX 864- 834-3518



Model No.

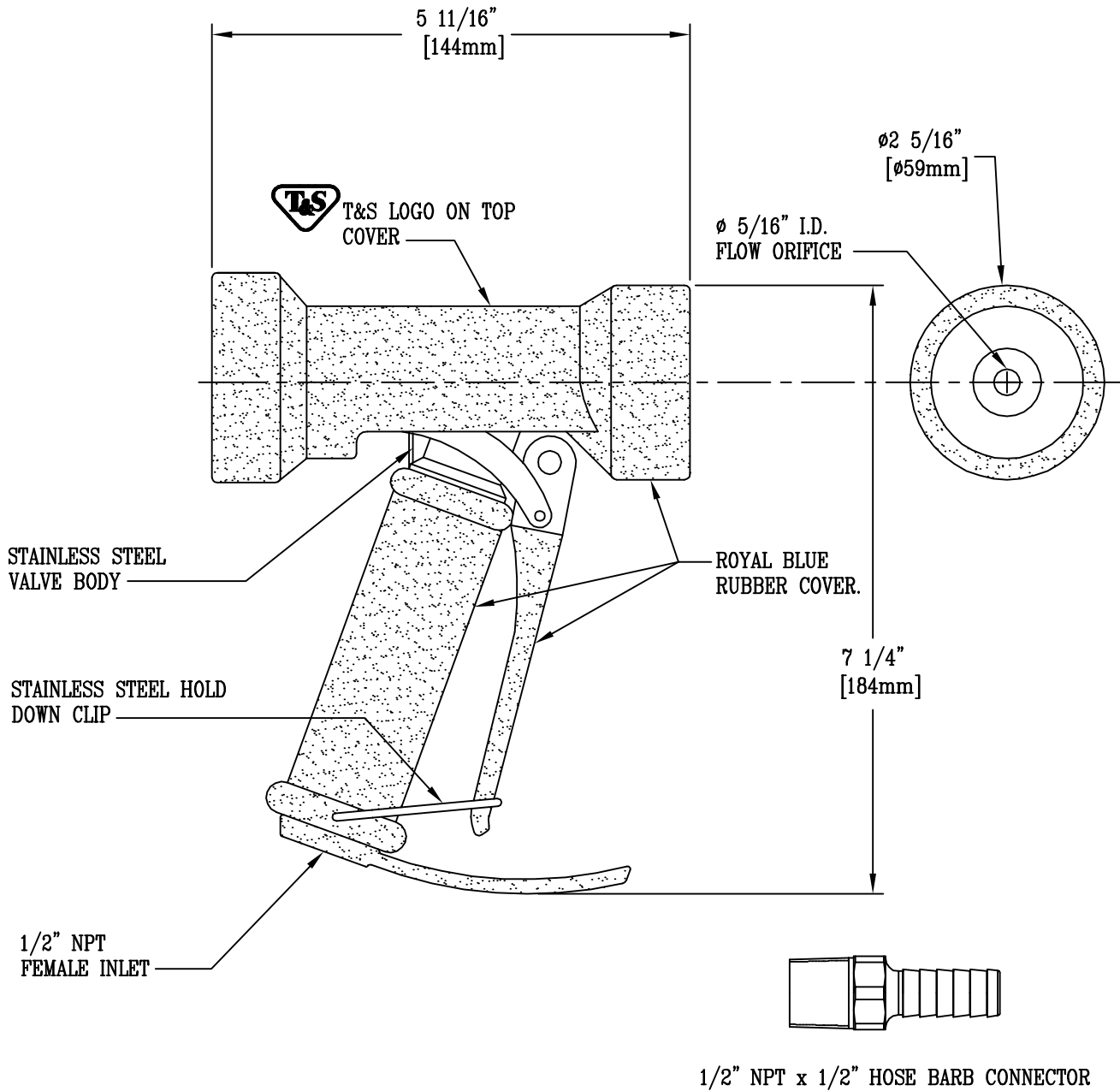
MV-2522-21

**RELIABILITY
 BUILT IN**

Job Name:

Architect/Engineer Approval:

Notes:



Product Description:
 STAINLESS STEEL WATER GUN, FRONT TRIGGER,
 5/16" FLOW ORIFICE, RUBBER COVER
 WITH 1/2" NPT x 1/2" HOSE BARB CONNECTOR

| | | |
|-----------------|-------------------|-----------------|
| Drawn: LEL | Checked JKD | Scale: 1 : 2 |
| Approved MVW | Date: 12/12/02 | |