

Light is OSRAM

## Light is purifying PURITEC® HNS® germicidal lamps for environmentally friendly disinfection

Most people don't think of light as a means of purifying or disinfecting, but special germicidal lamps emit high intensity ultraviolet light that purifies air, water, and surfaces without the use of harsh chemicals that are harmful to the environment. For effective purification, the wavelength and intensity of the irradiance is critical. OSRAM PURITEC HNS germicidal lamps provide peak intensity at 254nm that is ideal for highly effective sterilization of water, air, and surfaces.



### Air purification

Ultraviolet (UV) purification is currently the most effective method to clean the air of biological pollutants such as bacteria, viruses and fungal spores. UV germicidal lamps can be installed in ventilation ducts to clean the air passing through them. UV air purification is more economical and efficient than other air filtration and cleaning methods.

### Water purification

Often, water must be rid of pathogenic microorganisms to become safe for drinking. Ultraviolet radiation is employed to change the DNA structure of the microorganisms, either by killing the bacteria immediately or rendering them unable to breed. Because UV purification is a physical disinfection method without any harmful chemicals, it does not produce any secondary pollution. This resolution results in no smelly odor or byproducts in the water.

### Surface disinfection

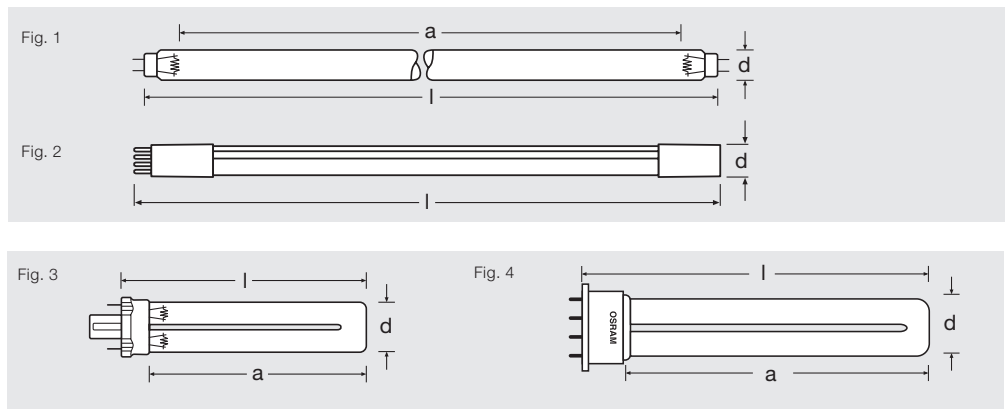
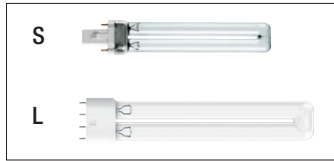
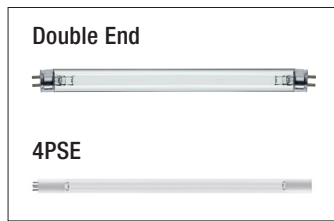
For packaging pharmaceuticals and food, in aseptic zones in hospitals, and for surface cleaning of equipment and instruments, objects are exposed directly to UV radiation for disinfection.

### Your benefits:

- Effective, environmentally friendly disinfection without chemicals
- Low mercury content
- Ozone free
- Long economical life due to special high-quality coating



## Technical Data



Product Description	Product Number	Watts	Volts	Current (A)	Radiation Flux (W) @ 254 nm	Length l (mm)	Distance a (mm)	Diameter d (mm)	Base	Lifetime (hrs)	Case Qty	Figure No.
<b>OSRAM PURITEC® HNS® linear low-pressure lamps</b>												
G4T5/OF (HNS 4W G5)	23397	4	29	0.17	0.9	136	79	16	G5	6000	25	1
G6T5/OF (HNS 6W G5)	23399	6	42	0.16	1.7	212	154	16	G5	9000	25	1
G8T5/OF (HNS 8W G5)	21061	8	56	0.15	2.0	288	230	16	G5	9000	25	1
G11T5/OF (HNS 11W G5)	23354	11	37	0.33	2.5	212	154	16	G5	9000	25	1
G16T5/OF (HNS 16W G5)	***	16	43	0.40	4.0	288	230	16	G5	9000	25	1
G15T8/OF (HNS 15W G13)	21259	15	55	0.33	4.9	437	367	26	G13	9000	25	1
G25T8/OF (HNS 25W G13)	55197	25	46	0.60	6.9	437	367	26	G13	9000	25	1
G30T8/OF (HNS 30W G13)	21080	30	96	0.37	12.0	894	824	26	G13	9000	25	1
G36T8/OF (HNS 36W G13)	59985	36	103	0.44	15.0	1200	1135	26	G13	9000	25	1
G55T8/OF (HNS 55W G13)	21283	55	83	0.77	18.0	895	824	26	G13	9000	25	1
G16T5L/4PSE (HNS 16W 4PSE)	55030	16	43	0.40	4.0	328	-	19	4 PIN	9000	40	2
G20T5L/4PSE (HNS 20W 4PSE)	55031	20	45	0.45	6.0	438	-	19	4 PIN	9000	40	2
G36T5L/4PSE (HNS 36W 4PSE)	55032	36	94	0.43	14.0	853	-	19	4 PIN	9000	40	2
<b>OSRAM PURITEC® HNS® S low-pressure lamps</b>												
GCF5DS/G23/SE/OF (HNS S 5W G23)	23396	5	35	0.18	1.3	83	63	28	G23	8000	10	3
GCF7DS/G23/SE/OF (HNS S 7W G23)	20390	7	37	0.17	1.8	111	91	28	G23	8000	10	3
GCF9DS/G23/SE/OF (HNS S 9W G23)	21062	9	60	0.17	2.5	142	122	28	G23	8000	10	3
GCF11DS/G23/SE/OF (HNS S 11W G23)	23398	11	75	0.15	3	211	191	28	G23	8000	10	3
<b>OSRAM PURITEC® HNS® L low-pressure lamps</b>												
GFT18DL/2G11/SE/OF (HNS L 18W 2G11)	21054	18	58	0.38	5.5	225	195	40	2G11	9000	10	4
GFT24DL/2G11/SE/OF (HNS L 24W 2G11)	20849	24	87	0.34	7.3	315	285	40	2G11	9000	10	4
GFT36DL/2G11/SE/OF (HNS L 36W 2G11)	23392	36	106	0.44	10.8	408	385	40	2G11	9000	10	4
GFT55DL/2G11/SE/OF (HNS L 55W 2G11)	23401	55	101	0.55	17	530	500	40	2G11	9000	10	4
GFT60DL/2G11/SE/OF (HNS L 60W 2G11)	23402	60	82	0.80	19	415	380	40	2G11	9000	10	4
GFT95DL/2G11/SE/OF (HNS L 95W 2G11)	23403	95	115	0.80	27	535	500	40	2G11	9000	10	4

\*\*\*Available upon special request. Please contact our customer service group at number below or your local OSRAM sales rep.

**WARNING:** To prevent possible serious injury, eyes and skin should not be exposed to direct or reflected ultraviolet light emitted by this lamp. This lamp is in Risk Group 3 per ANSI/IESNA RP-27.3-96. Adequate protection should be provided by clothing, gloves, opaque materials, and ordinary window glass. Although this lamp will operate in standard fluorescent fixtures, it should not be used for general lighting applications.

Additional types may be available on our website [www.osram.us/germicidal](http://www.osram.us/germicidal).

OSRAM SYLVANIA Inc.

OSRAM Americas:

200 Ballardvale Street  
Wilmington, MA 01887 USA  
877-636-5267  
[www.osram.us](http://www.osram.us)

OSRAM SYLVANIA Inc.

Industry:

129 Portsmouth Avenue  
Exeter, NH 03833 USA  
United States: 888-677-2627  
Canada: 888-677-2627  
Mexico: 525-899-1807  
[www.osram.us](http://www.osram.us)

OSRAM, PURITEC and HNS are registered trademarks of OSRAM GmbH. All other trademarks are those of their respective owners. Specifications subject to change without notice.

© 2020 OSRAM SYLVANIA Inc.

108T002USR5 7-20

**OSRAM**