



# EVERPURE® KLEENSTEAM® II TWIN SYSTEM

DELIVERS QUALITY WATER FOR STEAM APPLICATIONS

Kleensteam II Twin System: EV9797-40  
7CB5 Replacement Cartridge: EV9618-11



## APPLICATIONS

Boiler and Boilerless Steamer  
Combi Oven

## FEATURES • BENEFITS

A total system delivering high quality filtered water with cleaning and deliming capabilities

Filters incoming water to improve the performance, maximize energy efficiency and increase the life of steam equipment

Dual cartridge design provides enhanced performance for low or high flow capacity steamers and flexibility for expanding to meet future needs

Reduces chlorine-induced corrosion  
System is simple to install, operate and maintain

The Kleensteam II Twin System is shipped with two Everpure 7CB5 Filter Cartridges and no filter head plug

## INSTALLATION TIPS

Choose a mounting location suitable to support the full weight of the system when operating.

Use minimum 1/2" inlet water line (3/4" preferred).

Connect the system to the boiler water only. Do not connect system to the condenser.

Install vertically with cartridges hanging down.

Allow 2 1/2" (6.35 cm) clearance below the cartridge for easy cartridge replacement.

Flush cartridges by running water through system for five (5) minutes at full flow.

## OPERATION TIPS

Change 7CB5 Cartridge on a regular six (6) month preventative maintenance program, when capacity is reached or when pressure falls below 10 psi (0.7 bar).

Service flow rate must not exceed 2.5 gpm (9.46 Lpm) for single cartridge systems or 5.0 gpm (18.92 Lpm) for dual cartridge systems.

Always flush the filter cartridge at time of installation and cartridge change.

## SIZING

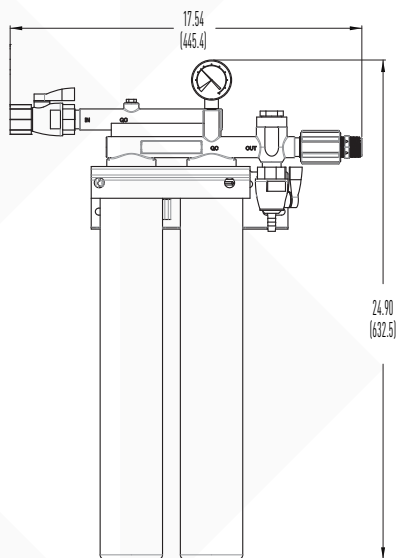
Service Flow Rate:

Maximum 2.5 gpm (9.5 Lpm) single cartridge

Maximum 5.0 gpm (18.9 Lpm) dual cartridge

# EVERPURE® KLEENSTEAM® II TWIN SYSTEM

## EV9797-40



The contaminants or other substances removed or reduced by this drinking water system are not necessarily in your water. Do not use with water that is microbiologically unsafe or of unknown quality without adequate disinfection before or after the system.

### SPECIFICATIONS

#### Service Flow Rate

Maximum 2.5 gpm (9.5 Lpm) single cartridge

Maximum 5.0 gpm (18.9 Lpm) dual cartridge

#### Pressure Requirements

10 - 125 psi (0.7 - 8.6 bar), non-shock

#### Maximum Water Temperature at Inlet

100°F (38°C)

#### Overall Dimension

24.90" H x 17.54" W x 5.5" D

(63.2 cm x 44.6 cm x 14 cm)

#### Inlet Connection

3/4" FNPT

#### Outlet Connection

3/4" FNPT

#### Operating Weight

24 lbs (10.9 kgs)

#### Shipping Weight

20 lbs (9 kgs)

#### Electrical Connection

None required

#### Alkalinity Range

2 to 12 grains per gallon

### WARRANTY

Everpure water treatment systems by Pentair® (excluding replaceable elements) are covered by a limited warranty against defects in material and workmanship for a period of five years after date of purchase. Everpure replaceable elements (filter cartridges and water treatment cartridges) are covered by a limited warranty against defects in material and workmanship for a period of one year after date of purchase. See printed warranty for details. Pentair will provide a copy of the warranty upon request.



### WATER QUALITY SYSTEMS

EVERPURE-SHURFLO WORLD HEADQUARTERS, 1040 MUIRFIELD DRIVE, HANOVER PARK, IL 60133 USA • FOODSERVICE.PENTAIR.COM  
800.942.1153 (US ONLY) • 630.307.3000 MAIN • 630.307.3030 FAX • CSEVERPURE@PENTAIR.COM EMAIL

EVERPURE-SHURFLO AUSTRALIA, 1-21 MONASH DRIVE, DANDENONG SOUTH, VIC 3175 AUSTRALIA  
011.1300.576.190 TEL • 011.61.39.562.7237 FAX • AU.EVERPURE@PENTAIR.COM EMAIL

EVERPURE-SHURFLO CHINA, 21F CLOUD 9 PLAZA, NO 1118, SHANGHAI, 200052, CHINA  
86.21.3211.4588 TEL • 86.21.3211.4580 FAX • CHINA.WATER@PENTAIR.COM EMAIL

EVERPURE-SHURFLO INDIA, GREEN BOULEVARD, B-9/A, 7TH FLOOR - TOWER B SECTOR 62, NOIDA - 201301  
91.120.419.9444 TEL • 91.120.419.9400 FAX • INDIACUSTOMER@PENTAIR.COM EMAIL

EVERPURE-SHURFLO EUROPE, PENTAIR WATER BELGIUM BVBA, INDUSTRIEPARK WOLFSTEE, TOEKOMSTLAAN 30, B-2200 HERENTALS, BELGIUM  
+32.(0).14.283.504 TEL • +32.(0).14.283.505 FAX • SALES@EVERPURE-EUROPE.COM EMAIL

EVERPURE-SHURFLO JAPAN INC., HASHIMOTO MN BLDG. 7F, 3-25-1 HASHIMOTO, MIDORI-KU, SAGAMIHARA-SHI KANAGAWA 252-0143, JAPAN  
81.(0)42.775.3011 TEL • 81.(0)42.775.3015 FAX • INFO@EVERPURE.CO.JP EMAIL

EVERPURE-SHURFLO SOUTHEAST ASIA, 390 HAVELOCK ROAD, #04-01 KING'S CENTRE, SINGAPORE 169662  
65.6768.5800 TEL • 65.6737.5149 FAX • CSEVERPURE@PENTAIR.COM EMAIL

All Pentair trademarks and logos are owned by Pentair, Inc. or its affiliates. All other registered and unregistered trademarks and logos are the property of their respective owners. Because we are continuously improving our products and services, Pentair reserves the right to change specifications without prior notice. Pentair is an equal opportunity employer.