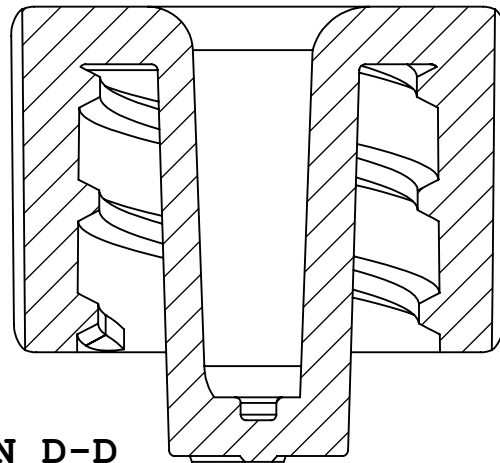
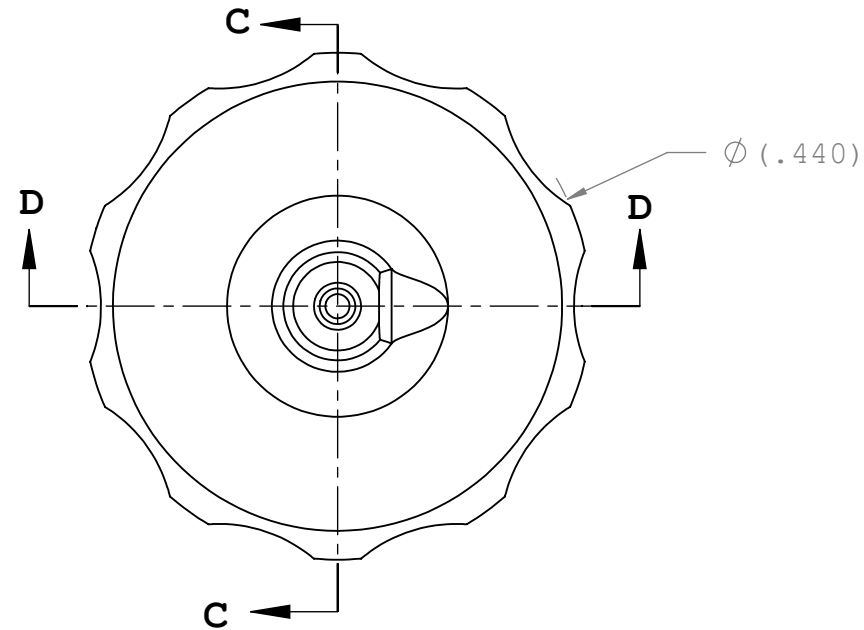
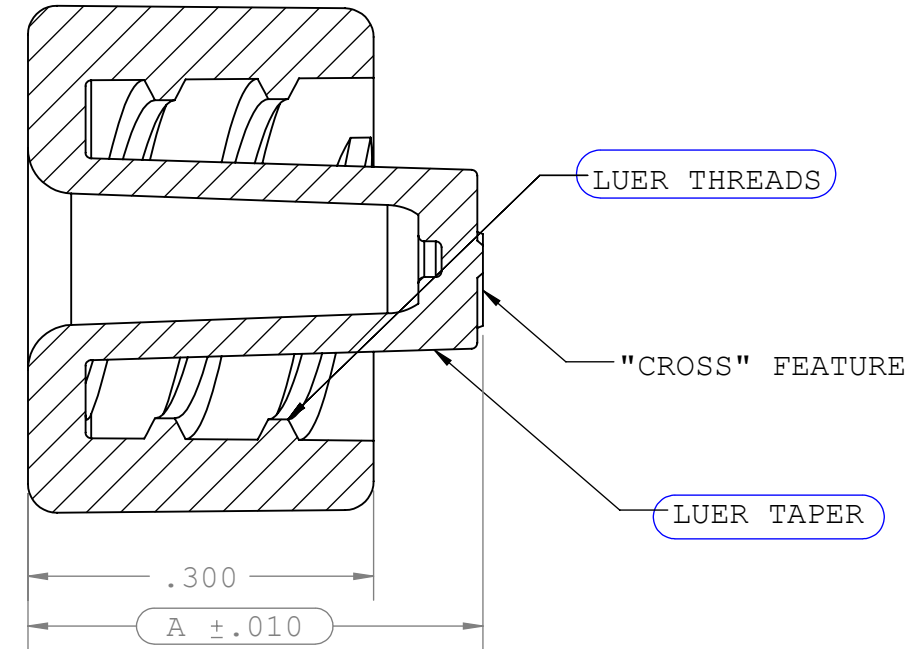
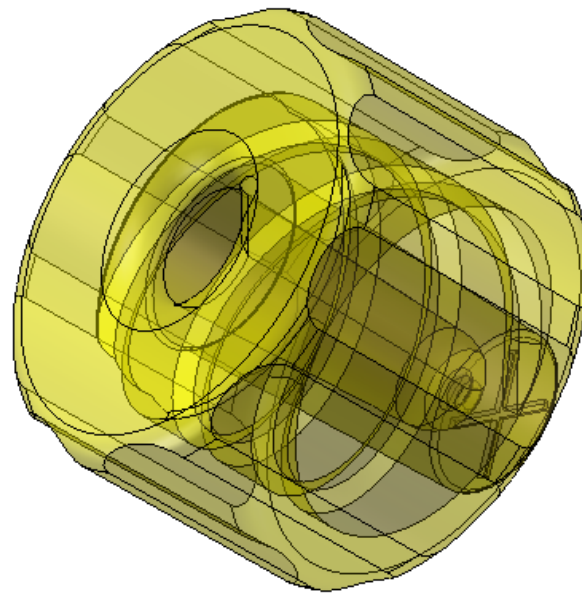


NOTES: FOR ADDITIONAL DETAILS, PLEASE CONTACT VP CUSTOMER SERVICE
 DIMENSIONS MARKED \square ARE CONTROL DIMENSIONS

REVISIONS			
REV.	DESCRIPTION	DATE	APPROVED
A	INITIAL RELEASE	2-6-98	
B	ECO 015 Drafting Update	5-16-05	Rick C.
C	ECO 035 Added "+" Feature	11-01-05	Rick C.
D	ECO 103 ID Flat, End Profile	02-12-10	Rick C.



SECTION D-D



SECTION C-C

Dimension	Material Specific Tolerances							
	Acetal	Nylon	PP	ABS	PC	PVC	Polysulfone	Kynar
A		.396	.396		.396			.390
B								
C								
D								
E								
F								

UNLESS OTHERWISE SPECIFIED DIMENSIONS ARE IN INCHES TOLERANCES ARE:		VALUE PLASTICS, INC			
FRACTIONS	DECIMAL				
± .XX	± .01	± 1°	DESCRIPTION:	Male Luer Integral Lock Ring Plug, Closed at Luer Tip	
± .XXX	± .005		SIZE:	B	
± .XXXX	± .001		SCALE:	NTS	
DO NOT SCALE DRAWING		DATE:	VER:	DWG. NO.	REV
DRAWN BY:	Bob Bliven	2/12/2010		1006422	D
NEW PRODUCT DEVELOPMENT MGR:		© 2009 VALUE PLASTICS, INC		SHEET: 1 OF 1	
R. Narayanan					

FOR REFERENCE ONLY