

K-NPQ2-S

Quick Change
Water Cooler Filter Kit
with Scale Inhibitor

NEO-PURE™



*Residential / Commercial
Filtration Applications*

Standard Features

- Manufactured in USA
- NP-QCB01PBS 1 micron filter with scale inhibitor for sediment, chlorine taste and odor, cysts, and lead
- Valve-in-head design engages when the filter is installed or removed
- Designed to be used with water coolers that provide hot water, in addition to cold and/or room temperature water
- Kit includes: double filter mounting bracket with mounting screws, NP-QCB01PBS filter, NP-QSED5 prefilter, 25 ft. x 1/4" tubing and C clamps, 1/4" inline shutoff ball valve, and cable ties to fasten head assembly to back of cooler. DOES NOT include a feed supply adapter.

If scale inhibitor is not needed, order the Neo-Pure K-NPQ2

K-NPQ2-S Specifications

Filter Capacity

1250 gallons for lead, 2500 gallons for chlorine reduction

Flow Rate

0.5 gpm

Connection Type

1/4" quick connect

Operating Temperature

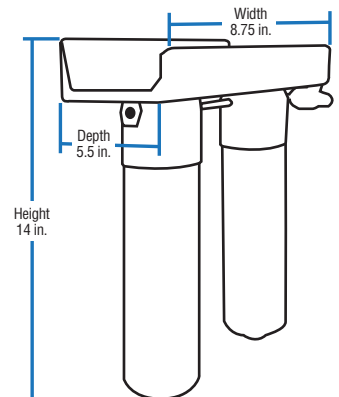
35-100°F

Operating Pressure (Maximum)

125 psi

Dimensions

14"H x 8-3/4"W x 5-1/2"D



Applications:

- Drinking Water Systems
- Water Cooler Filter Systems



WARNING:

Do not use with water that is microbiologically unsafe or of unknown quality without adequate disinfection before or after the system.



NP-QCB01PBS Specifications

Contaminants Reduced

Chlorine taste and odor, lead, and cysts with scale inhibitor

Filter Media

Coconut shell carbon block with siliphos

Filter Capacity

1250 gallons for lead, 2500 gallons for chlorine reduction

Micron Rating (Nominal)

1 micron

Flow Rate

0.5 gpm

Certification

NSF Standard 42 and 53

Housing Material

Plastic

Dimensions

10"L x 2-1/2" diameter

Connection Type

1/4" quick connect

Operating Temperature

35-100°F

Operating Pressure (Maximum)

125 psi



NP-QSED5 Specifications

Contaminants Reduced

Sediment, dirt and rust

Filter Media

Spun bonded polypropylene

Filter Capacity

1250 gallons

Micron Rating (Nominal)

5 microns

Flow Rate

0.5 gpm

Certification

NSF Standard 42 and 53

Housing Material

Plastic

Dimensions

10"H x 2-1/2" diameter

Connection Type

1/4" quick connect

Operating Temperature

35-100°F

Operating Pressure (Maximum)

125 psi

DISTRIBUTED BY: