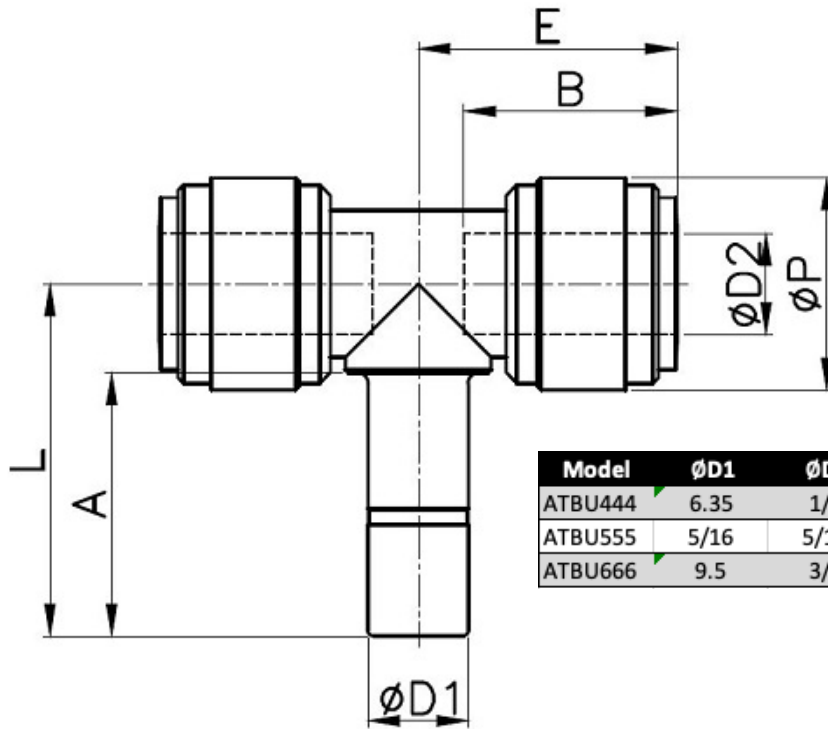


Branch Tee Union



Pressure Ratings			
	< 5/16"	3/8"	1/2"
33 °F	290 psi	232 psi	203 psi
68 °F	290 psi	232 psi	203 psi
150 °F	232 psi	203 psi	116 psi

Model	ØD1	ØD2	ØP	A	B(TUBE DEEP)	H	L	WEIGHT(g)
ATBU444	6.35	1/4	0.610	0.827	0.665	1.370	1.583	5.7
ATBU555	5/16	5/16	0.693	1.161	0.846	0.886	0.689	8.6
ATBU666	9.5	3/8	0.787	0.976	0.795	1.701	1.929	12.4