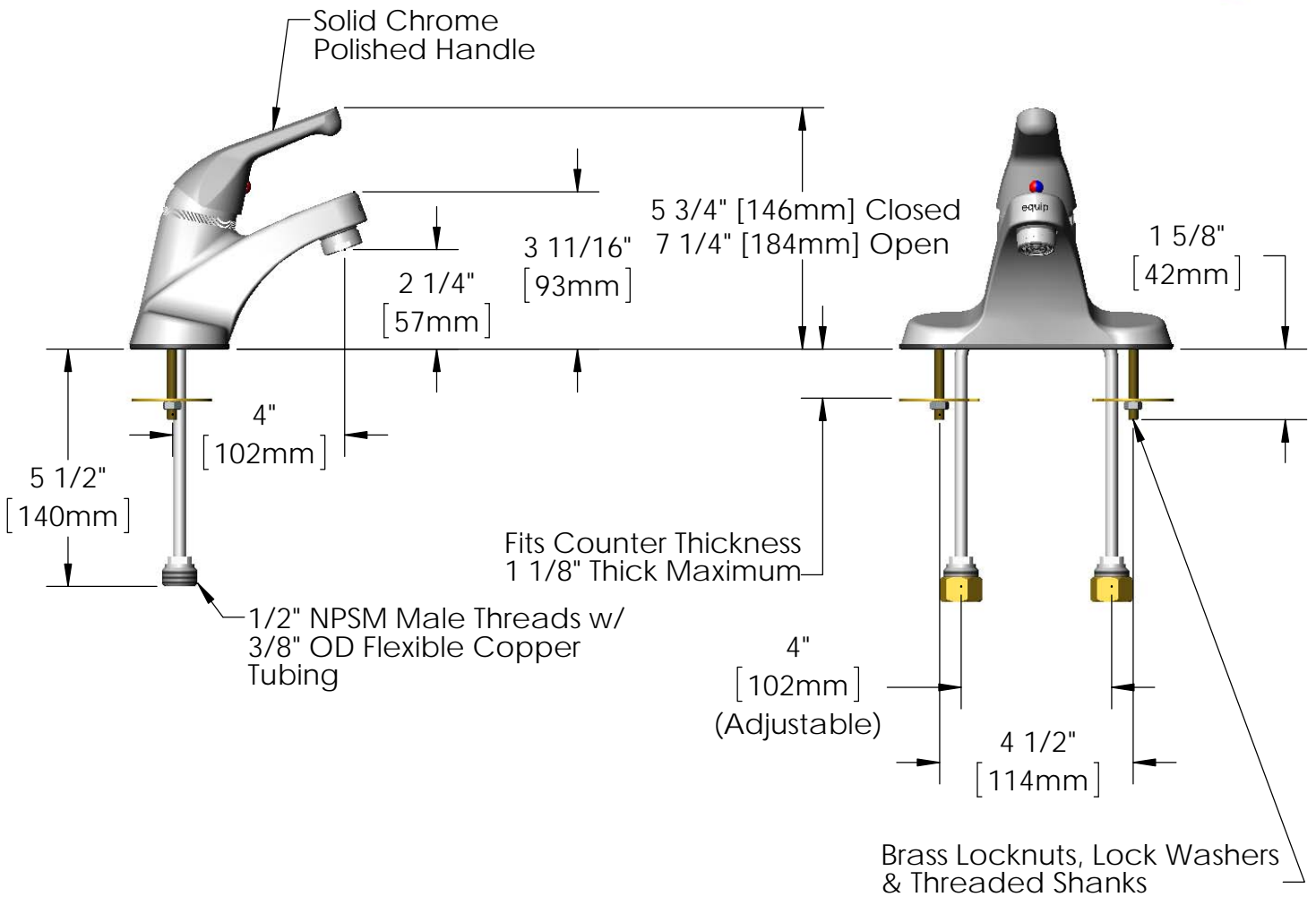


*This Space for Architect/Engineer Approval*

Job Name \_\_\_\_\_ Date \_\_\_\_\_  
 Model Specified \_\_\_\_\_ Quantity \_\_\_\_\_  
 Customer/Wholesaler \_\_\_\_\_  
 Contractor \_\_\_\_\_  
 Architect/Engineer \_\_\_\_\_



**ADA Compliant**



**Note: Rough-In Requirement**  
 (2) Ø 1 1/8" [29mm] Mounting Holes on 4" [102mm] Centers

Model Number 5SL-1000	Date 02/03/12	Scale 1:4	Drawn DHL	Checked GEF	Approved JHB
--------------------------	------------------	--------------	--------------	----------------	-----------------

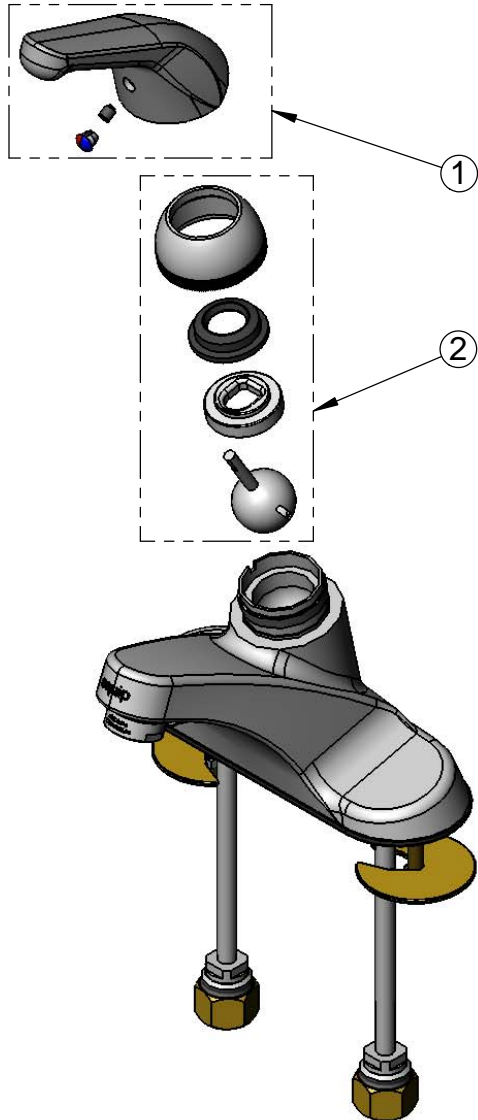


Product Specifications:

equip Single Lever Faucet w/ 2.0 GPM Aerator,  
 Solid Handle, 1/2" NPSM Inlets w/ 3/8" OD  
 Flexible Copper Tubing

equip Foodservice Accessories  
 2 Saddleback Cove, P.O. Box 1088  
 Travelers Rest, South Carolina 29690  
 Phone: 800.891.4808 Fax: 800.868.0084

ITEM NO.	SALES NO.	DESCRIPTION
1	5SL-1000-H	equip Solid Lever Handle w/ Set Screw and Teperature Index
2	015232-45	equip Cartridge for 5SL Single Lever Faucet



Model Number 5SL-1000	Date 02/03/12	Scale NTS	Drawn DHL	Checked GEF	Approved JHB
--------------------------	------------------	--------------	--------------	----------------	-----------------



Product Specifications:  
 equip Single Lever Faucet w/ 2.0 GPM Aerator,  
 Solid Handle, 1/2" NPSM Inlets w/ 3/8" OD  
 Flexible Copper Tubing

equip Foodservice Accessories  
 2 Saddleback Cove, P.O. Box 1088  
 Travelers Rest, South Carolina 29690  
 Phone: 800.891.4808 Fax: 800.868.0084