



# T&S BRASS AND BRONZE WORKS, INC.

2 Saddleback Cove / P.O. Box 1088  
Travelers Rest, SC 29690



REG. #A2601  
ISO #9001

Model No.

**B-0502-SL**

Item No.

Travelers Rest, SC: 800-476-4103 Simi Valley, CA: 800-423-0150 Fax: 864-834-3518 www.tsbrass.com

This Space for Architect/Engineer Approval

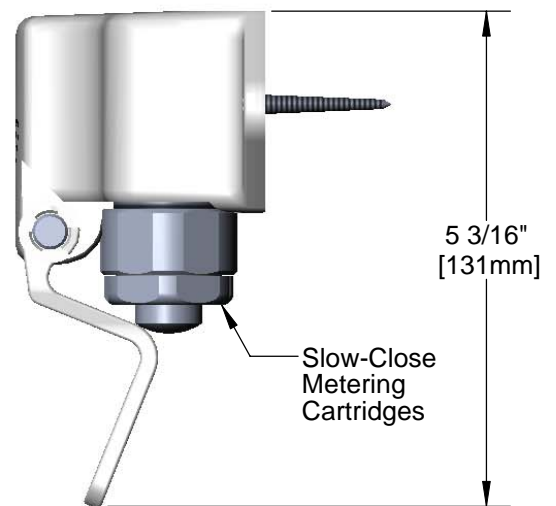
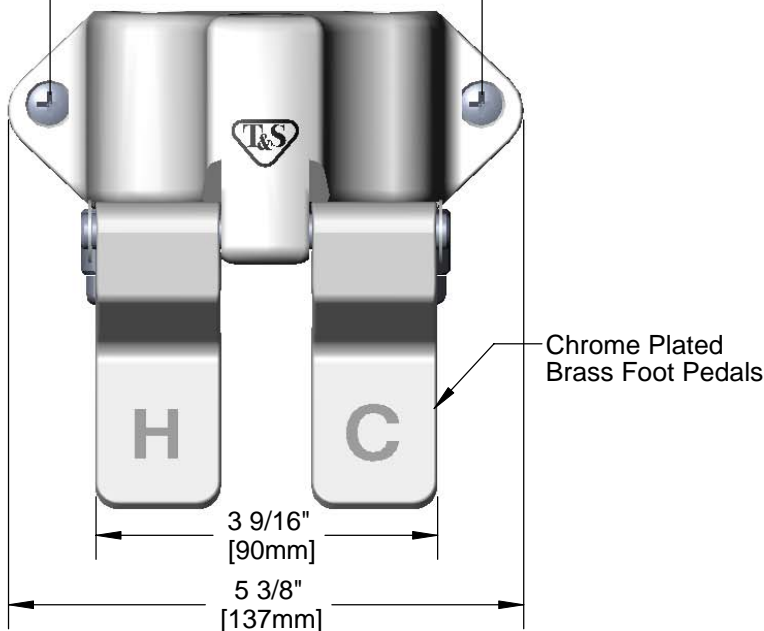
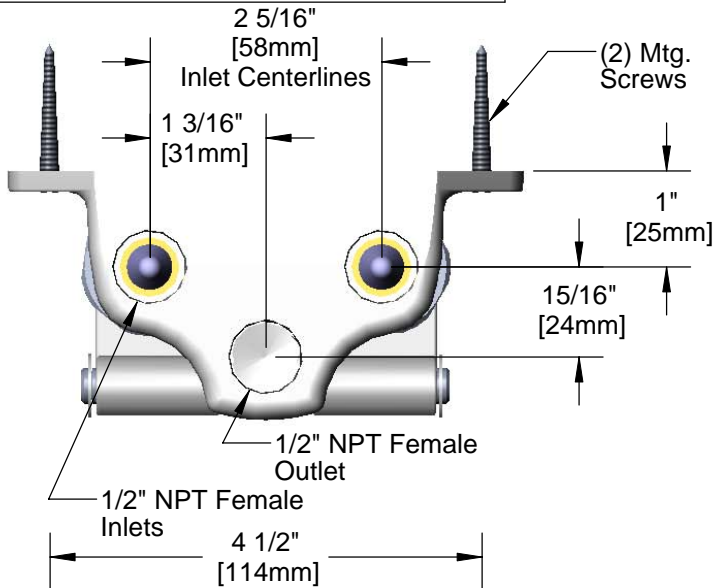
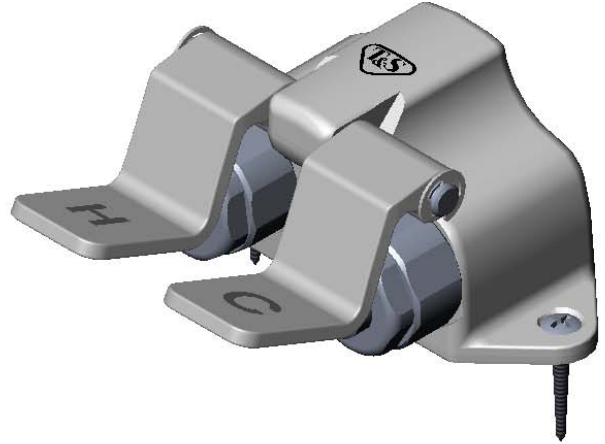
Job Name \_\_\_\_\_ Date \_\_\_\_\_

Model Specified \_\_\_\_\_ Quantity \_\_\_\_\_

Customer/Wholesaler \_\_\_\_\_

Contractor \_\_\_\_\_

Architect/Engineer \_\_\_\_\_



Product Specifications:  
Slow Close Double Pedal Valve  
1/2" NPT Female Inlets & Outlet

Drawn DHL	Checked JRM	Approved JHB
Scale: 1:2		Date: 01/28/09



**T&S BRASS AND BRONZE WORKS, INC.**  
 2 Saddleback Cove / P.O. Box 1088  
 Travelers Rest, SC 29690



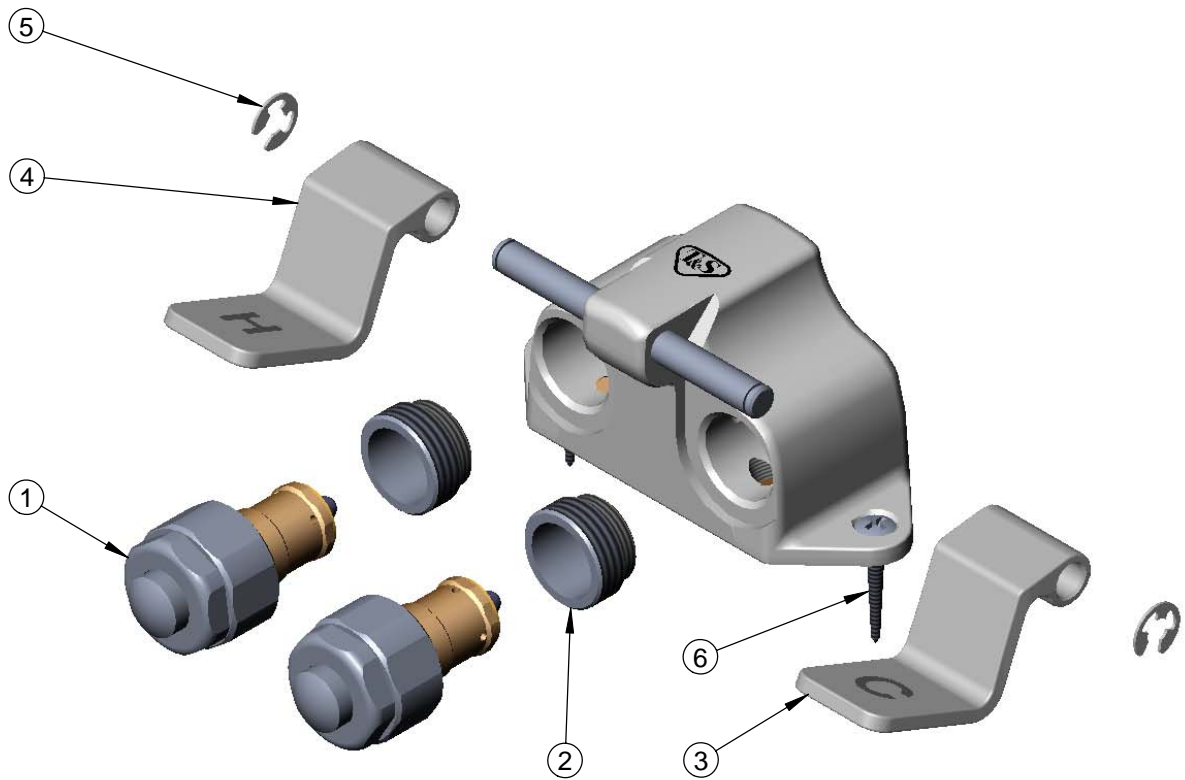
REG. #A2601  
 ISO #9001

Model No.  
**B-0502-SL**

Item No.

Travelers Rest, SC: 800-476-4103 Simi Valley, CA: 800-423-0150 Fax: 864-834-3518 www.tsbrass.com

ITEM	PART NO.	DESCRIPTION
1	011399-40	Slow Close Ctg.
2	011320-25	Adapter
3	000091-25	Cold Pedal
4	000092-25	Hot Pedal
5	012512-45	Retaining Ring
6	000915-45	Mounting Screw



Product Specifications:

Slow Close Double Pedal Valve  
 1/2" NPT Female Inlets & Outlet

Drawn DHL	Checked JRM	Approved JHB
Scale: 1:2		Date: 01/28/09