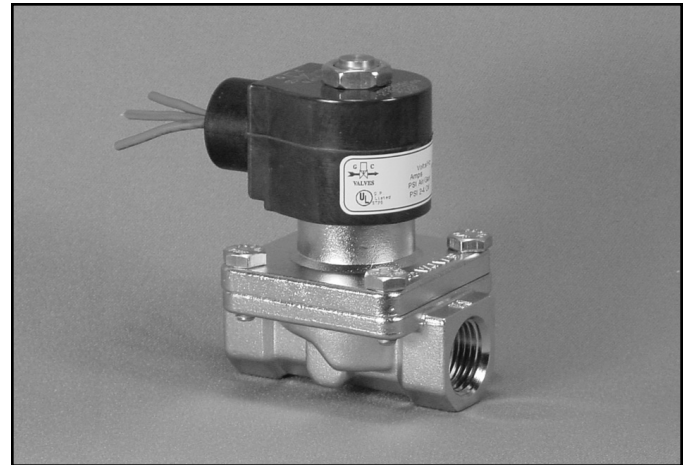


- 1/2" NPT
- Stainless Steel Body  
Type 316
- 2-Way Piloted Diaphragm
- Normally Closed



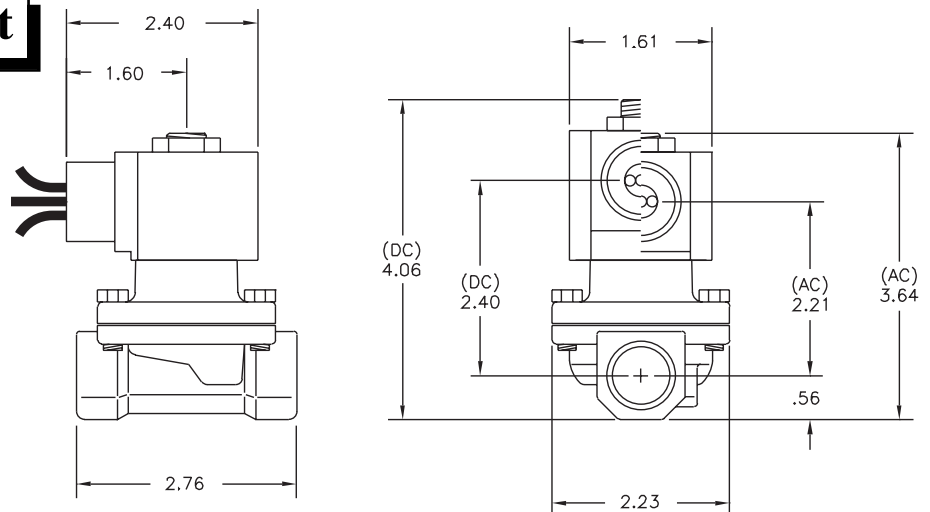
Materials	Seals:	Nitrile , Viton®, Ethylene Propylene
	Orifice: Pilot Main	Stainless Steel Stainless Steel Ø 5/8"
Electrical	Standard Housing:	Encapsulated Waterproof Conduit (NEMA 4/4X)
	Optional Housings:	Metallic Conduit, Explosion-proof (NEMA 7), Grommet, Open Frame, Junction Box (single or dual knockouts), DIN; Contact GC Valves Customer Service for others.
	Standard Voltages:	24, 120, 240 AC 60 Hz; 50 Hz available 6, 12, 24 DC; Contact GC Valves Customer Service for Additional Voltages.
	Voltage Tolerance:	±10% of applicable voltage
	Coil Classes:	F, H, N
	Standard Lead Length:	24 inch
Operating Temperature	Ambient (Nominal):	32°F to 125°F
Mounting	Position:	Any
Approvals*	Agency:	UL Listed, UL Recognized, CSA Approved

\* Not available for all variations

® Registered Trademark of DuPont Co.

## Dimensions/Weight

<b>Weight (lbs.)</b>
2.5

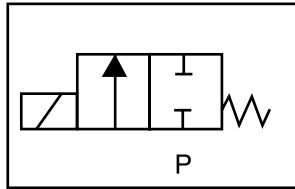




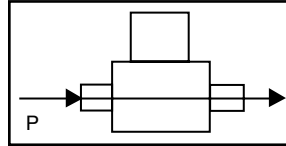
# S211 – 1/2" NPT, Stainless Steel Body, Type 316, Normally Closed

## Valve Selection List

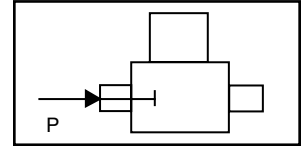
Normally Closed



Energized



De-Energized



Pipe Size NPT	Orifice Size IN	C <sub>v</sub>	Minimum	Operating Pressure Differential (psi)								Max Fluid Temp. °F	Seal Material	Power Consumption (Watts)		Model Code ( 120V/60HZ — 110V/50HZ Shown )
				Maximum										AC	DC	
				Air/Gas		Water		Light Oil		Steam*						
				AC	DC	AC	DC	AC	DC	AC	DC					
1/2	5/8	4.3	4	200	150	150	100	—	—	—	—	295	EPR	8	10	S211GF02E7DG4
	5/8	4.3	4	200	150	150	100	150	100	—	—	180	Nitrile	8	10	S211GF02J7DG4
	5/8	4.3	4	200	150	150	100	150	100	—	—	230	Viton	8	10	S211GF02L7DG4
	5/8	4.3	4	—	—	—	—	—	—	50*	50*	295	EPR	8	10	S211GH02E7DG4

\* Class H Coil Recommended for Steam and Other High Temperature Applications

## Part Numbering

1	2	3	4	5	6	7	8	9	10	11	12	13
<b>S</b>	<b>2</b>	<b>1</b>	<b>1</b>	<b>G</b>	<b>F</b>	<b>0</b>	<b>2</b>	<b>E</b>	<b>7</b>	<b>D</b>	<b>G</b>	<b>4</b>
Series			Operating Mode	Housing*	Coil Class*	Voltage*		Seal Material	Body Material	Pipe Connection	Orifice Size	
S21			1: Normally Closed	G: Conduit	F: Class F H: Class H	02: 120/60 110/50		E: EPR J: Nitrile L: Viton	7: 316 SS	D: 1/2" NPT	G4: 5/8"	
* See the "Engineering Guide" for additional voltages, variations and options.												

## Coil Data

Coil Family	
Type	Size
AC	S3
DC	S4

Frequency (Hz)	60	50
Nominal Power (VA)	Inrush	36
	Holding	13

GC Valves Customer Service: 800-828-0484 (7:30am to 4pm ET) or 800-582-4232 (7:30am to 4pm PT)