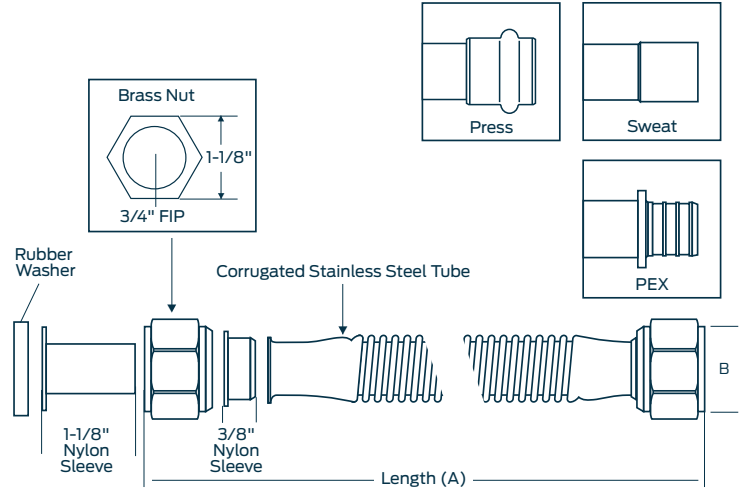


# WaterFlex™ Corrugated Water Heater Connector

Eastman™ WaterFlex™ Connectors allows users to connect a water heater to water source with ease. Features corrugated stainless steel for extra strength and higher pressure ratings. Flexible design for simplified installation. Corrosion resistant with nickel-plated brass nuts, and rubber sealing washers.



## Applications

Residential and commercial potable water, recirculation, hydronic heating/cooling (up to 50% glycol concentration).

## Specification Data

Materials	
Tube	304 Stainless Steel
Washers	NBR
Nuts/Fittings	Nickel Plated Brass
Dielectric Sleeve	Nylon

Performance	
Max Working Pressure	
Working Pressure	20 - 125 psi
Working Temperature	40-160 F

## Certifications & Listings

ASME A112.18.6/CSA B125.6  
NSF/ANSI/CAN 372  
NSF/ANSI/CAN 61

For listing information, please contact Customer Service

Dimensions (Inches)			
Part #	Size	A	B
437012	3/4" FIP X 3/4" FIP	12"	3/4"
437015	3/4" FIP X 3/4" FIP	15"	3/4"
437018	3/4" FIP X 3/4" FIP	18"	3/4"
437024	3/4" FIP X 3/4" FIP	24"	3/4"
438612	3/4" FIP X 3/4" F1807 PEX (Brass)	12"	3/4"
438618	3/4" FIP X 3/4" F1807 PEX (Brass)	18"	3/4"
438624	3/4" FIP X 3/4" F1807 PEX (Brass)	24"	3/4"
438318	3/4" FIP X 3/4" F1960 PEX (Brass)	18"	3/4"
438324	3/4" FIP X 3/4" F1960 PEX (Brass)	24"	3/4"
437412	3/4" FIP X 3/4" FEMALE SWEAT	12"	3/4"
437415	3/4" FIP X 3/4" FEMALE SWEAT	15"	3/4"
437418	3/4" FIP X 3/4" FEMALE SWEAT	18"	3/4"
437424	3/4" FIP X 3/4" FEMALE SWEAT	24"	3/4"
436218	3/4" FIP X 3/4" Press (Brass)	18"	3/4"
436224	3/4" FIP X 3/4" Press (Brass)	24"	3/4"
437512	3/4" FIP X 1" FIP	12"	1"
437515	3/4" FIP X 1" FIP	15"	1"
437518	3/4" FIP X 1" FIP	18"	1"
437524	3/4" FIP X 1" FIP	24"	1"
437524	3/4" FIP X 1" FIP	24"	1"

Product Submittal	
Name	
Date	
Architect/Owner	
Contractor	
Tag	
Notes	

# WaterFlex™ Corrugated Water Heater Connector

Eastman™ WaterFlex™ Connectors allows users to connect a water heater to water source with ease. Features corrugated stainless steel for extra strength and higher pressure ratings. Flexible design for simplified installation. Corrosion resistant with nickel-plated brass nuts, and rubber sealing washers.

## Applications

Residential and commercial potable water, recirculation, hydronic heating/cooling (up to 50% glycolconcentration).

## Specification Data

Materials	
Tube	304 Stainless Steel
Washers	NBR
Nuts/Fittings	Nickel Plated Brass
Dielectric Sleeve	Nylon

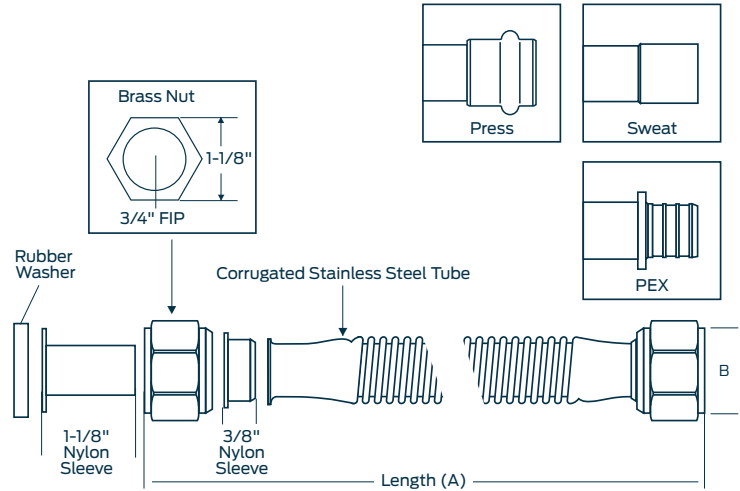
Performance	
Max Working Pressure	
Working Pressure	20 - 125 psi
Working Temperature	40-160 F

## Certifications & Listings

ASME A112.18.6/CSA B125.6  
NSF/ANSI/CAN 372  
NSF/ANSI/CAN 61

For listing information, please contact Customer Service

\*See Gas Connection Spec Sheet



Dimensions (Inches)			
Part #	Size	A	B
432118	1-1/4" FIP X 1-1/4" FIP	18"	1-1/4"
432124	1-1/4" FIP X 1-1/4" FIP	24"	1-1/4"
437015	1-1/4" FIP X 1-1/4" FIP	24"	1-1/4"
432218	1-1/2" FIP X 1-1/2" FIP	18"	1-1/2"
432224	1-1/2" FIP X 1-1/2" FIP	24"	1-1/2"
432318	2" FIP X 2" FIP	12"	2"
432324	2" FIP X 2" FIP	18"	2"
447512	1" FIP X 1" FIP	12"	1"
447515	1" FIP X 1" FIP	15"	1"
447518	1" FIP X 1" FIP	18"	1"
447524	1" FIP X 1" FIP	24"	1"
QFC-7524SWT	CS STEEL 3/4" FIP X 3/4" SWT	24"	3/4"
QFC-7518M	CS 3/4" FIP x 3/4" MIP	18"	3/4"

Gas Water Heater Installation Kit*			
48280	3/4" FIP X 3/4" FIP - Pair	18"	3/4"
(2) Compression Adapters, 24" Corrugated Gas Supply Connector			

Electric Water Heater Installation Kit			
48281	3/4" FIP X 3/4" FIP - Pair	18"	3/4"
(2) Compression Adapters, (1) Sealing Tape			
437118	3/4" FIP X 3/4" FIP - Red & Blue Pair	18"	3/4"
437124	3/4" FIP X 3/4" FIP - Red & Blue Pair	24"	3/4"

Product Submittal	
Name	
Date	
Architect/Owner	
Contractor	
Tag	
Notes	