



T&S BRASS AND BRONZE WORKS, INC.
 2 Saddleback Cove / P.O. Box 1088
 Travelers Rest, SC 29690

Model No.
068X

Item No.

Travelers Rest, SC: 800-476-4103 • Simi Valley, CA: 800-423-0150 • Fax: 864-834-3518 • www.tsbrass.com

This Space for Architect/Engineer Approval

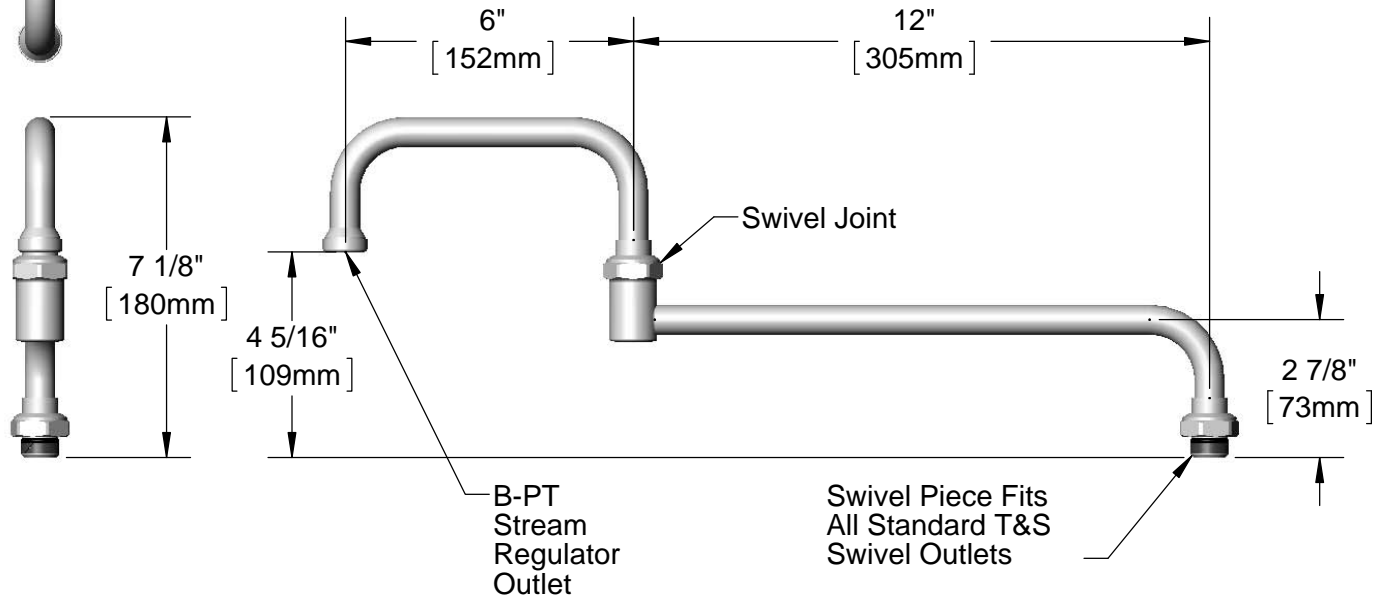
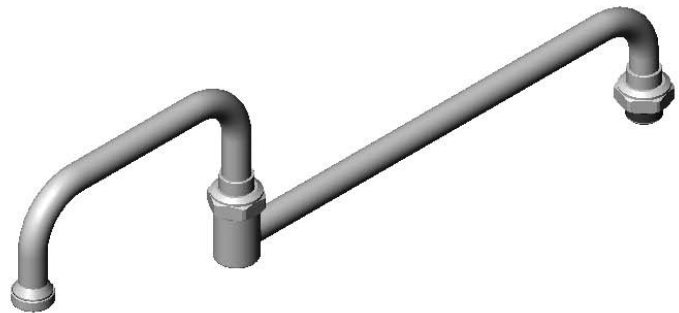
Job Name _____ Date _____

Model Specified _____ Quantity _____

Customer/Wholesaler _____

Contractor _____

Architect/Engineer _____



Product Specifications:
 18" Double Joint Swing Nozzle (12" Back Section & 6" Front Section w/ Stream Regulator Outlet)

Drawn DHL	Checked DMH	Approved JHB
---------------------	-----------------------	------------------------

Scale: 1:4	Date: 03/18/13
----------------------	--------------------------



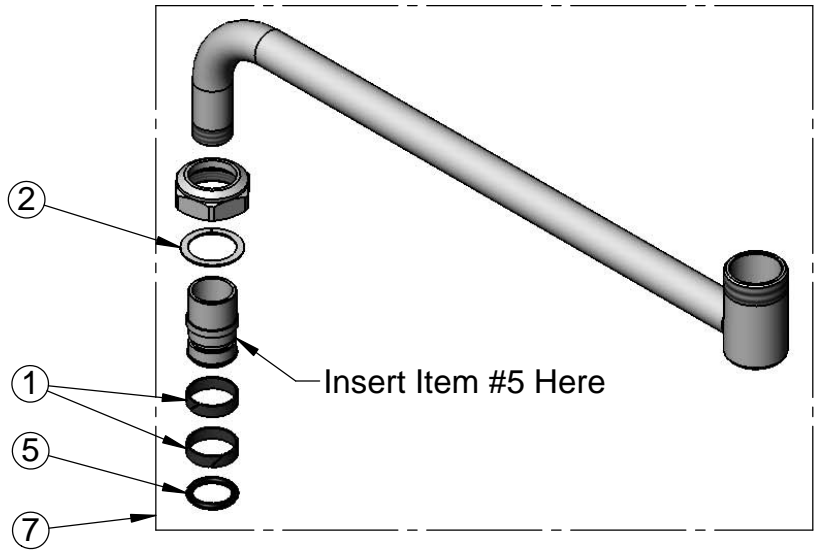
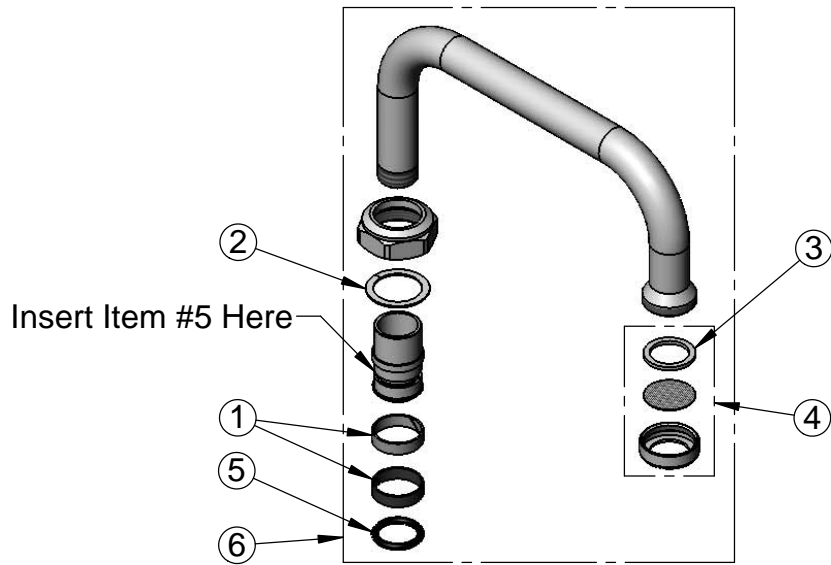
T&S BRASS AND BRONZE WORKS, INC.
 2 Saddleback Cove / P.O. Box 1088
 Travelers Rest, SC 29690

Model No.
068X

Item No.

Travelers Rest, SC: 800-476-4103 • Simi Valley, CA: 800-423-0150 • Fax: 864-834-3518 • www.tsbrass.com

ITEM NO.	SALES NO.	DESCRIPTION
1	011429-45	Swivel Sleeves (2)
2	009538-45	Swivel Washer
3	001048-45	Nozzle Tip Washer
4	B-PT	Stream Regulator
5	001074-45	O-Ring
6	153X	Double Joint Swing Nozzle 6" Front Section w/ Stream Regulator Outlet
7	002871-40	Double Joint Swing Nozzle 12" Back Section



Product Specifications:
 18" Double Joint Swing Nozzle (12" Back Section & 6" Front Section w/ Stream Regulator Outlet)

Drawn DHL	Checked DMH	Approved JHB
Scale: NTS		Date: 03/18/13