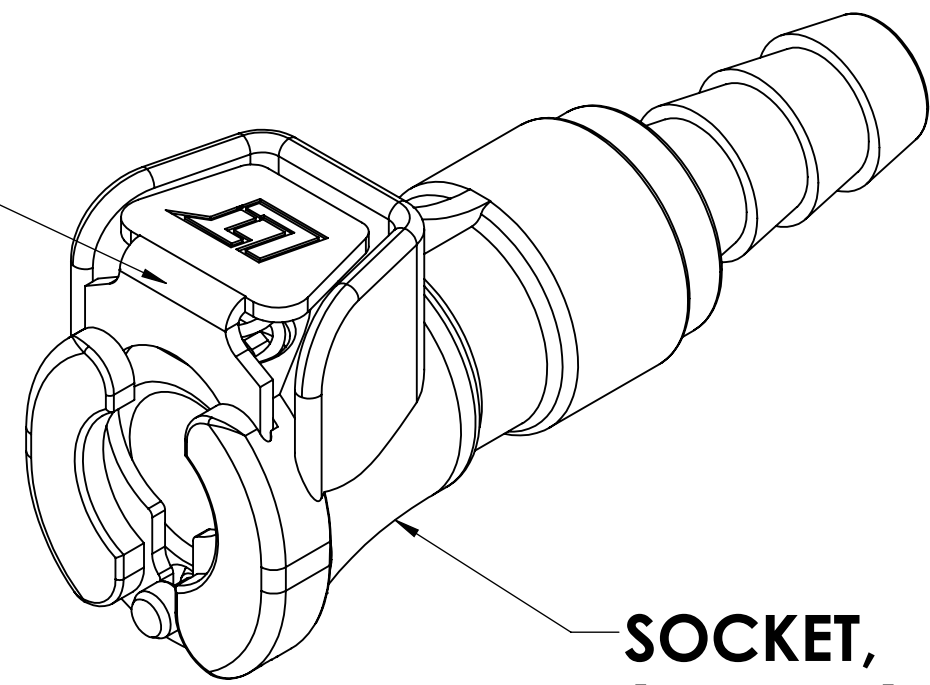


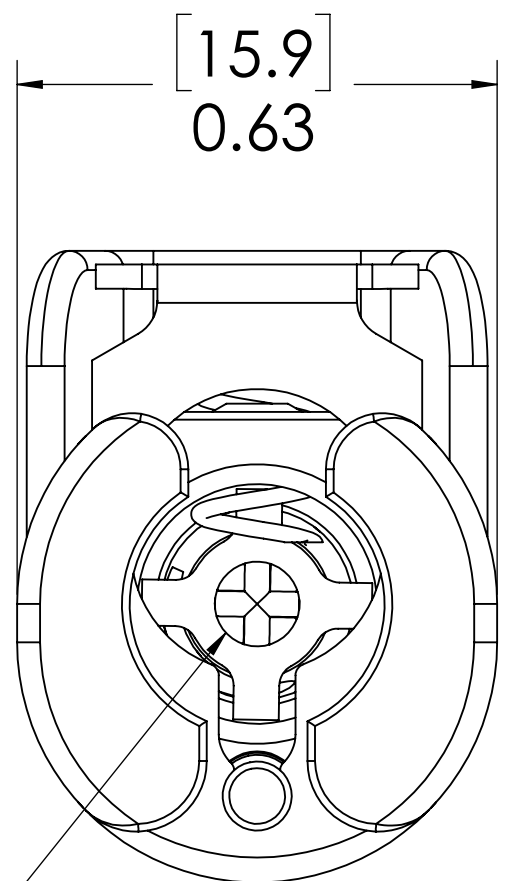
REVISIONS						
SHEET	ZONE	REV.	ECO	DESCRIPTION	DATE	APPROVED
1	ALL	A	50242	PIN, PIN SPRING & FORMAT UPDATE	10/25/2017	HRC

**LATCH HARDWEAR,
(STAINLESS STEEL)**

**SOCKET,
(ACETAL)**



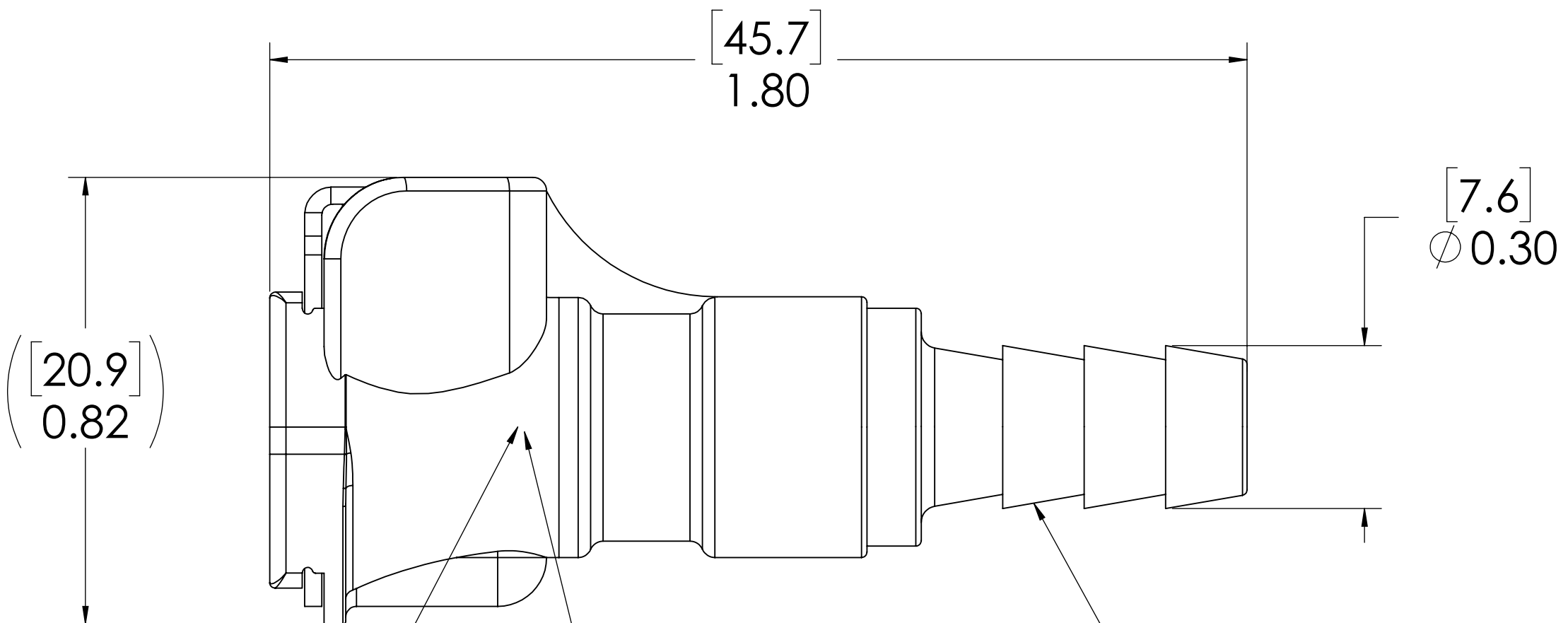
**VALVE,
(ACETAL)**



**INTERNAL
O-RING,
(BUNA-N)**

**INTERNAL
SPRING,
(STAINLESS STEEL)**

1/4" TUBE ID



NOTES:

- MATERIAL: ACETAL
- COLOR: NATURAL WHITE
- O-RING MATERIAL: BUNA-N
- O-RINGS LUBRICATED WITH FOOD GRADE SILICONE OIL, 350 CST.

FOR REFERENCE ONLY

<small>UNLESS OTHERWISE SPECIFIED: DIMENSIONS ARE IN INCHES TOLERANCES: FRACTIONAL ± 1/32 ANGULAR: MACH ± 0.5 BEND ± 2 ONE PLACE DECIMAL ± 0.1 TWO PLACE DECIMAL ± 0.01 THREE PLACE DECIMAL ± 0.005 TWO PLACE DUAL (mm) [± 0.12]</small>	DRAWN	RDA	8/16/2016	
	CHECKED	HRC	8/16/2016	
	ENG APPR.	HRC	10-25-17	
	MFG APPR.	BDB	10-25-17	
<small>PROPRIETARY AND CONFIDENTIAL THE INFORMATION CONTAINED IN THIS DRAWING IS THE SOLE PROPERTY OF LINKTECH LLC. ANY REPRODUCTION OR DISCLOSURE IN PART OR AS A WHOLE WITHOUT THE WRITTEN PERMISSION OF LINKTECH LLC IS STRICTLY PROHIBITED.</small>	Q.A.	JJB	10-25-17	PART NO: 20ACV-SB2-04 DESCRIPTION: LinkTech 20AC Series Straight Female, Valved, 250 HB, Natural Acetal SIZE DWG. NO. REV C 20AC200319 A SCALE: NTS WEIGHT: SHEET 1 OF 1