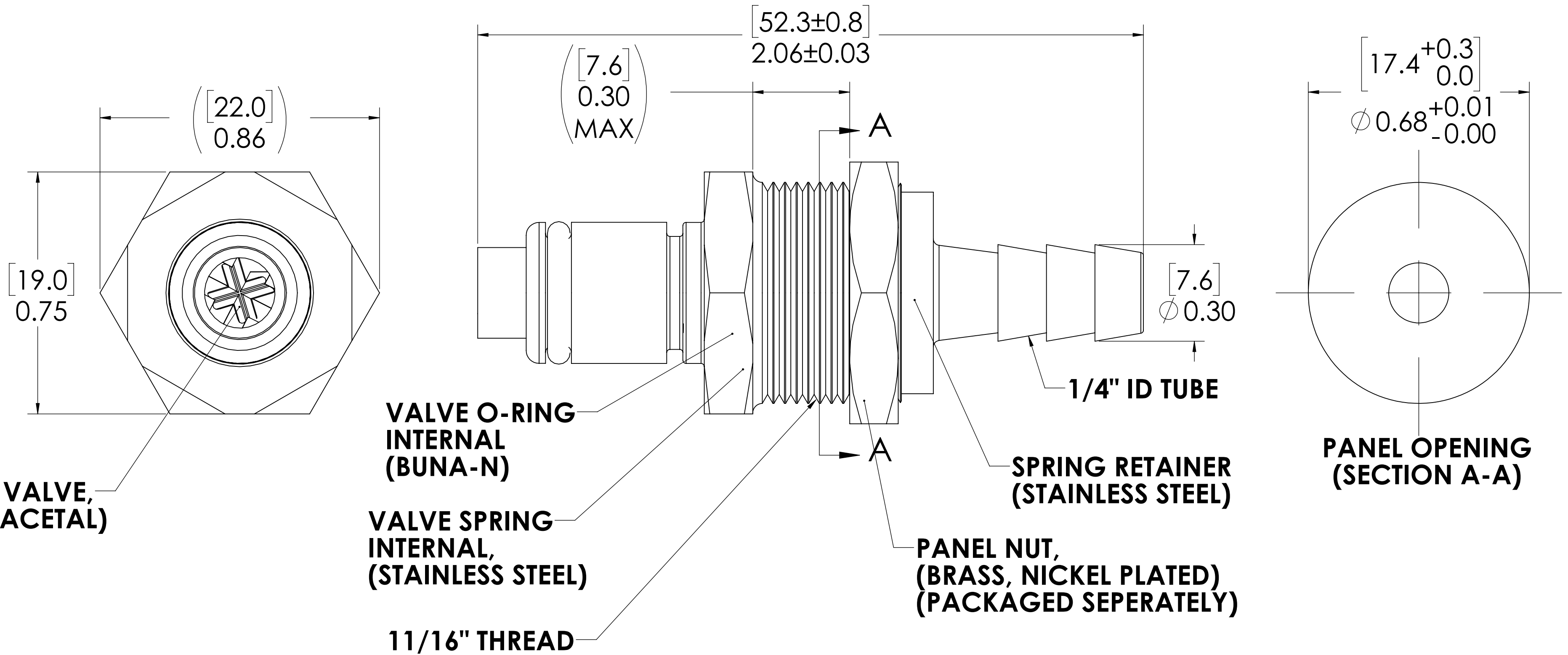
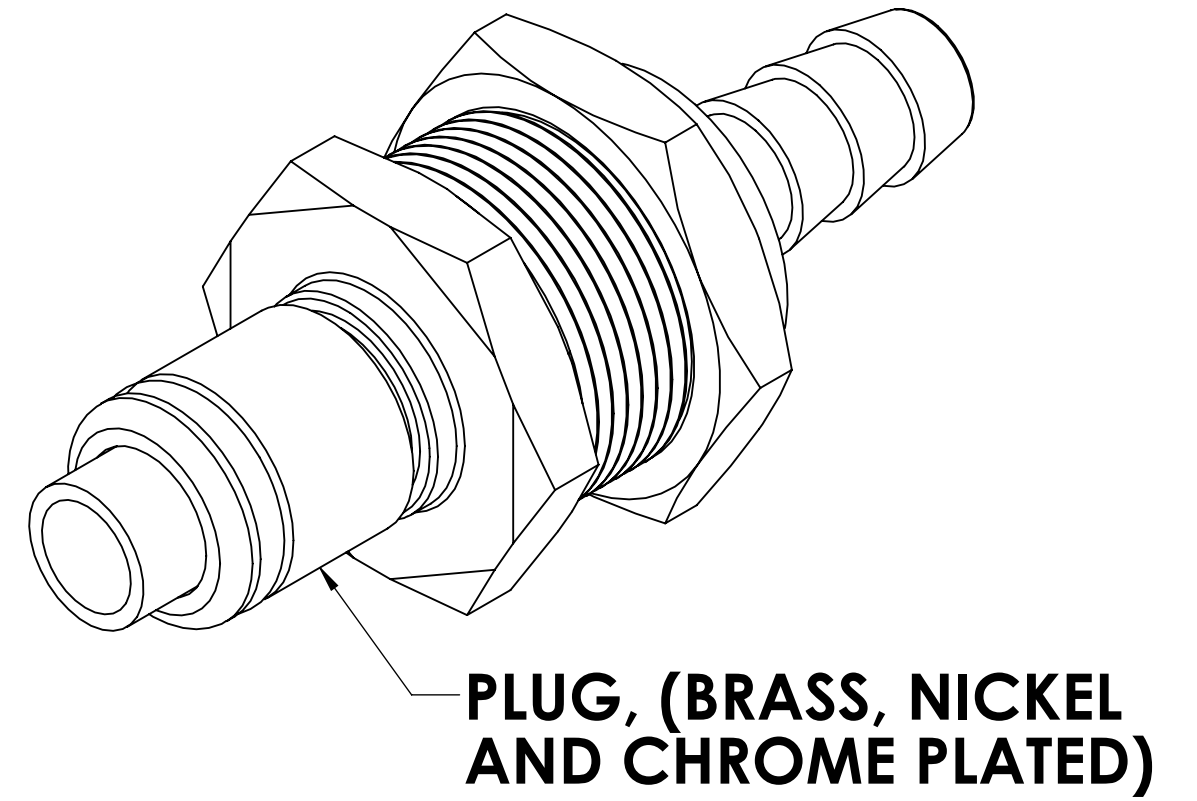


REVISIONS						
SHEET	ZONE	REV.	ECO	DESCRIPTION	DATE	APPROVED
1	ALL	A	50253	DRAFTING UPDATE	7/27/18	HRC



- NOTES:**
- MATERIAL: BRASS
 - FINISH: CHROME
 - O-RING MATERIAL: BUNA-N
 - O-RINGS LUBRICATED WITH FOOD GRADE SILICONE OIL, 350 CST.

FOR REFERENCE ONLY

<small>UNLESS OTHERWISE SPECIFIED: DIMENSIONS ARE IN INCHES TOLERANCES: FRACTIONAL ±1/32 ANGULAR: MACH ±0.5 BEND ±2 ONE PLACE DECIMAL ±0.1 TWO PLACE DECIMAL ±0.01 THREE PLACE DECIMAL ±0.005 TWO PLACE DUAL (mm) [±0.12]</small>	<small>DRAWN</small> CBH 8/3/2017		
	<small>CHECKED</small> HRC 8/3/2017		PART NO: 40CBV-PB3-04
	<small>ENG APPR.</small> HRC 7/27/18		<small>DESCRIPTION:</small> LinkTech 40CB Series Panel Mt. Male, Valved, 1/4" HB, Chrome Brass
	<small>MFG APPR.</small> BDB 7/27/18		<small>SIZE DWG. NO. REV</small> C 40CB400021 A
<small>PRODUCTION</small> LS 7/27/18	<small>COMMENTS:</small>	<small>SCALE: NTS WEIGHT: SHEET 1 OF 1</small>	