



41180 Raintree Court  
Murrieta, CA 92562  
1-888-304-0660  
www.waterstoneco.com

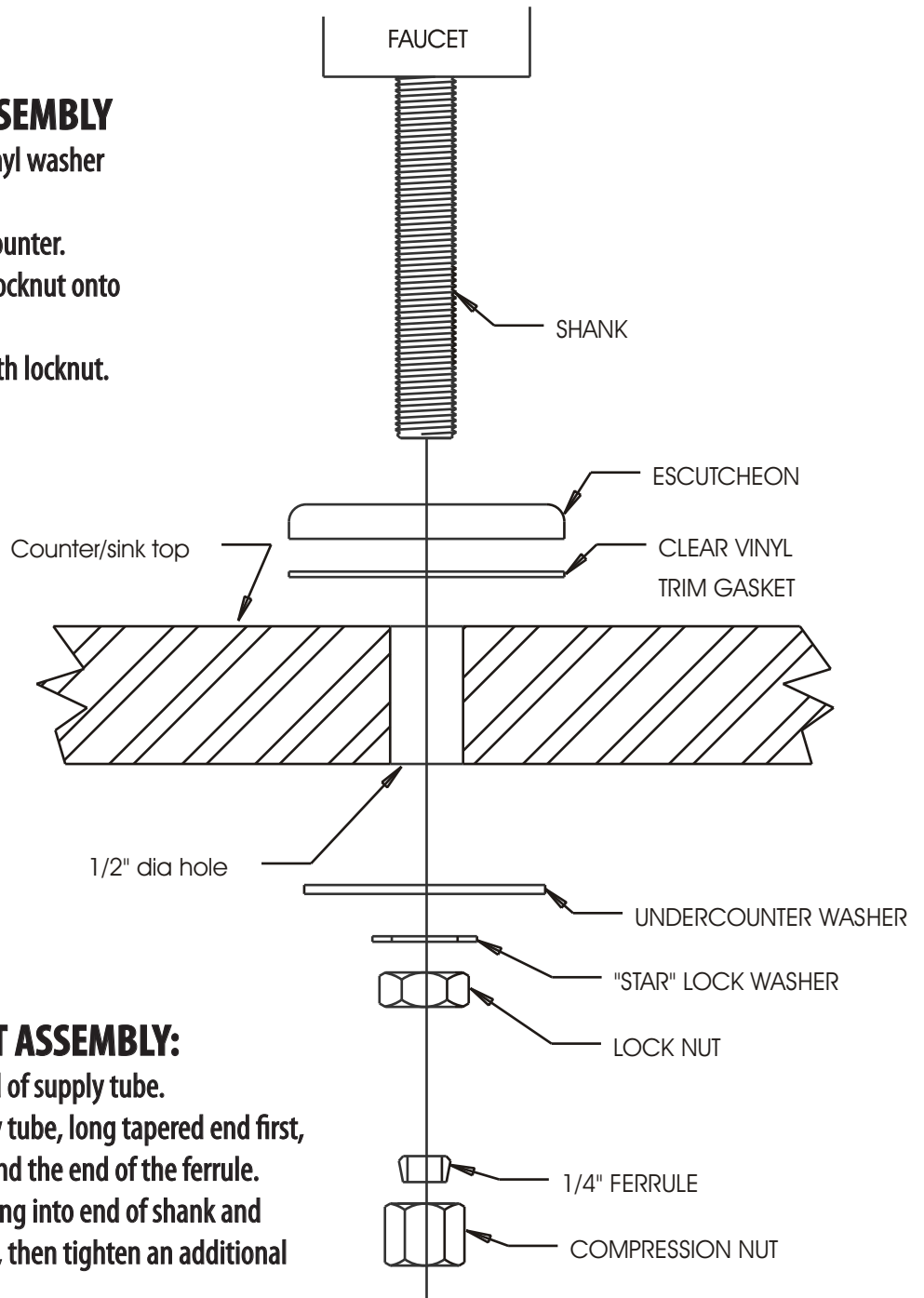
ITEM NO:  
**800, 900, 1100,  
1200, 1400**

## Cold Only Faucets

## INSTALLATION INSTRUCTIONS

### FAUCET TO COUNTER ASSEMBLY

1. Install escutcheon and clear vinyl washer onto faucet shank.
2. Insert faucet through hole in counter.
3. Install large steel washer and locknut onto shank under counter.
4. Tighten faucet onto counter with locknut.



### SUPPLY TUBE TO FAUCET ASSEMBLY:

1. Slide compression nut over end of supply tube.
2. Slide ferrule onto end of supply tube, long tapered end first, until 1/4" of tubing extends beyond the end of the ferrule.
3. Insert extended portion of tubing into end of shank and tighten compression nut by hand, then tighten an additional 1/4" to 1/2" turn with a wrench.



MADE IN THE USA