

Model SD3

Backflow Preventors for Carbonated Beverage Machines

Installation Instructions

Sizes: 1/4" – 3/8" (8 – 10mm)

WARNING



Read this Manual **BEFORE** using this equipment. Failure to read and follow all safety and use information can result in death, serious personal injury, property damage, or damage to the equipment. Keep this Manual for future reference.

Purpose

The Watts SD3 is a dual check with atmospheric port designed for the protection of the water supply from carbon dioxide gas and carbonated water. These substances can flow from post-mix beverage systems and are very acidic. If the acidic water comes in contact with copper tubing or copper pipe, it will cause the leaching of copper salts into the water supply. The dissolved copper if ingested can

cause nausea, abdominal pain, and in some cases vomiting. The SD3 prevents the reverse flow of potentially contaminated water back into the potable water supply. In the event the second check valve becomes fouled, the vent port is opened to atmospheric and water and or CO2 gas from the downstream piping is discharged.



strainer included

Installation

Before installing, flush out pipe lines to remove scale and other foreign matter. The valve can be installed horizontally or vertically (flow up or down). Install the valve in the line with the arrow on the valve body pointing in the direction of flow.

Connect a vent discharge line to the vent outlet of the SD3 and vent to a safe place of disposal with adequate ventilation. The valve should be installed such that the strainer and the valve are accessible for service and maintenance.

NOTICE

The valve should not be installed where water discharge from the vent could cause damage to the surrounding equipment or property. In addition, the device should not be installed inside a wall or a concealed location. Copper tubing shall not be used on the downstream side of the backflow preventer used in carbonated systems. Copper tubing can be used downstream for non carbonated systems such as coffee makers.

Applications

The Watts SD3 is recommended for use on Carbonated Beverage Equipment and dispensing equipment for tea and coffee.

Maintenance

Annual inspection is required of the strainer and the backflow preventer to insure proper operation of the device.

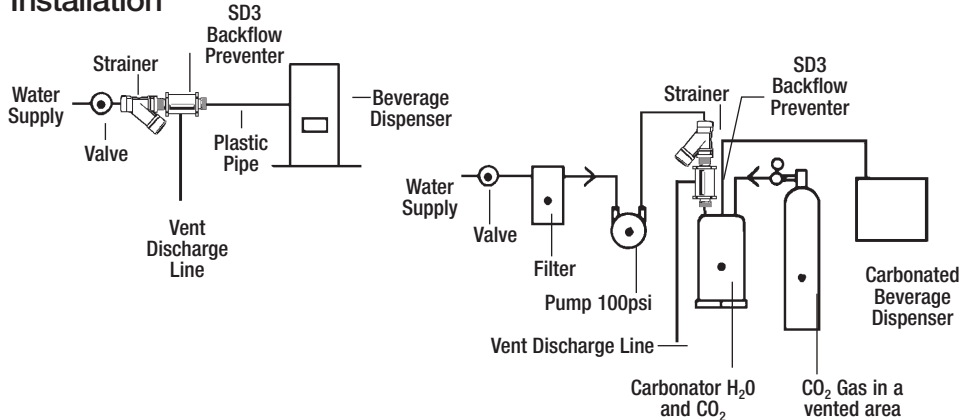
Temperature and Pressure

Maximum Pressure - 150psi. (10.3 bar)
Maximum Temperature - 130°F. (54°C)

Repair Kit

Kit consists of First and Second Check assemblies complete.

Installation



SD3 Total Repair Kit

ORDERING CODE	KIT NO.	SIZE
0888556	RKSD3T	1/4" - 3/8"

WARNING: This product contains chemicals known to the State of California to cause cancer and birth defects or other reproductive harm.
For more information: www.watts.com/prop65

Limited Warranty: Watts Regulator Co. (the "Company") warrants each product to be free from defects in material and workmanship under normal usage for a period of one year from the date of original shipment. In the event of such defects within the warranty period, the Company will, at its option, replace or recondition the product without charge.

THE WARRANTY SET FORTH HEREIN IS GIVEN EXPRESSLY AND IS THE ONLY WARRANTY GIVEN BY THE COMPANY WITH RESPECT TO THE PRODUCT. THE COMPANY MAKES NO OTHER WARRANTIES, EXPRESS OR IMPLIED. THE COMPANY HEREBY SPECIFICALLY DISCLAIMS ALL OTHER WARRANTIES, EXPRESS OR IMPLIED, INCLUDING BUT NOT LIMITED TO THE IMPLIED WARRANTIES OF MERCHANTABILITY AND FITNESS FOR A PARTICULAR PURPOSE.

The remedy described in the first paragraph of this warranty shall constitute the sole and exclusive remedy for breach of warranty, and the Company shall not be responsible for any incidental, special or consequential damages, including without limitation, lost profits or the cost of repairing or replacing other property which is damaged if this product does not work properly, other costs resulting from labor charges, delays, vandalism, negligence, fouling caused by foreign material, damage from adverse water conditions, chemical, or any other circumstances over which the Company has no control. This warranty shall be invalidated by any abuse, misuse, misapplication, improper installation or improper maintenance or alteration of the product.

Some States do not allow limitations on how long an implied warranty lasts, and some States do not allow the exclusion or limitation of incidental or consequential damages. Therefore the above limitations may not apply to you. This Limited Warranty gives you specific legal rights, and you may have other rights that vary from State to State. You should consult applicable state laws to determine your rights. **SO FAR AS IS CONSISTENT WITH APPLICABLE STATE LAW, ANY IMPLIED WARRANTIES THAT MAY NOT BE DISCLAIMED, INCLUDING THE IMPLIED WARRANTIES OF MERCHANTABILITY AND FITNESS FOR A PARTICULAR PURPOSE, ARE LIMITED IN DURATION TO ONE YEAR FROM THE DATE OF ORIGINAL SHIPMENT.**

WATTS®

A Watts Water Technologies Company

ISO 9001-2008
CERTIFIED

USA: Tel. (978) 688-1811 • Fax: (978) 794-1848 • www.watts.com

Canada: Tel. (905) 332-4090 • Fax: (905) 332-7068 • www.watts.ca