

FLD Series

High Flow Single Cartridge Filter Housings with Ring Nut Closure



- Ideal for commercial and industrial filter application
- Heavy duty 304L stainless steel construction for maximum durability
- Accepts 4 1/2" diameter (Big Blue style) Double Open-End (DOE) cartridges
- Designed for high temperature and high pressure applications
- Ring nut closure for quick cartridge change outs
- Spring loaded knife edge seal provides positive sealing for variable length cartridges
- Mounting bracket kit included for easy installation
- Numerous gasket options for compatibility with most fluids

Applications

Potable Water	RO Prefiltration
Food & Beverage	Wastewater
Plating Solutions	Electronics
Chemicals	Photographic solutions
Coolants	Inks / Paints / Coatings

Specifications & Operating Parameters

Maximum Operating Pressure

150 psig (10.3 bar) @ 200°F (93°C)

Connections

Inlet /Outlet: 1" FNPT

Drain Port: Quick twist fitting

Gaskets

Buna N

Optional: EPR, Viton

Materials of Construction

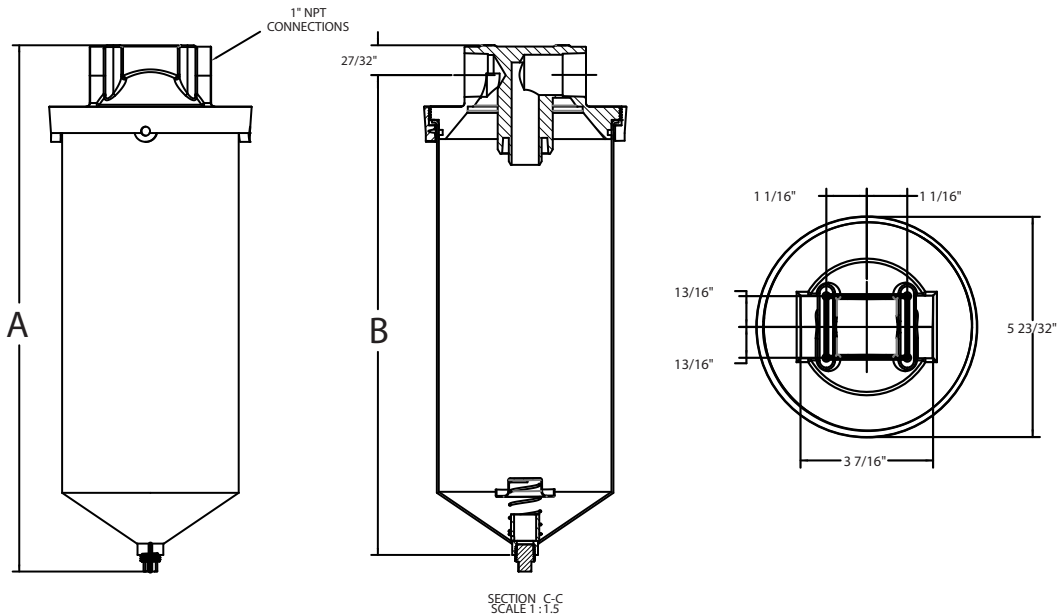
Head: 304L Stainless Steel

Shell: 304L Stainless Steel

MODEL	QUANTITY (LENGTH) OF CARTRIDGES	MAXIMUM FLOW RATE* GPM (LPM)	MAXIMUM DIAMETER CARTRIDGE	DRAIN SIZE	DIMENSIONS	
					A	B
FLD-78	1 (10")	125 (47.3)	4 1/2"	1/8"	15" (38.1 cm)	5.75" (14.6 cm)
FLD-80	1 (20")	25 (9.6)	4 1/2"	1/8"	25" (63.5 cm)	5.75" (14.6 cm)

* Based upon 12.5 (47.3 lpm) per 10" cartridge length with a 25 micron wound cartridge at 2 PSID clean and a viscosity of 1 cps. Flow rates are guidelines only. Actual flow rates are based upon fluid, viscosity, cartridge type, micron ratings and other factors.

Dimensions



Ordering Guide (Example: FLD 788-304-B)

FLD	78	8	-	304	-	B
MODEL	CARTRIDGE LENGTH	PIPE SIZE FNPT		MATERIAL		GASKET
FLD	78 = 9 3/4-10" 80 = 20"	8 = 1"		304 = 304L SS		B = Buna N (Standard) E = EPR V = Viton

Customization

Housings may be customized to meet your precise requirements. Contact Shelco's technical support staff or your distributor for more information.



Shelco Filters

100 Bradley Street
Middletown, CT 06457 USA

Tel: 800-543-5843 / Fax: 860-854-6120 / E-mail: info@shelco.com

MicroSentry™, MicroVantage™, Shelco Filters® and the Shelco logo are registered trademarks of the Tinny Corporation. Shelco Filters is a division of the Tinny Corporation.