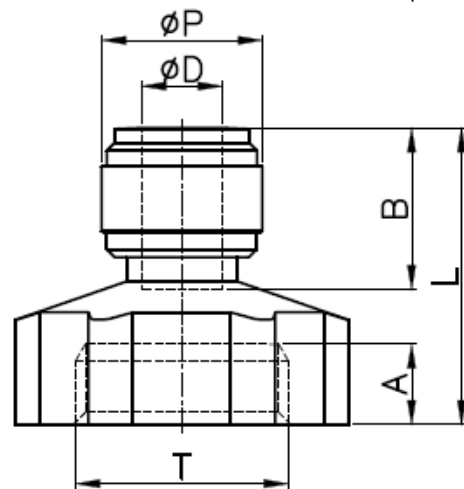
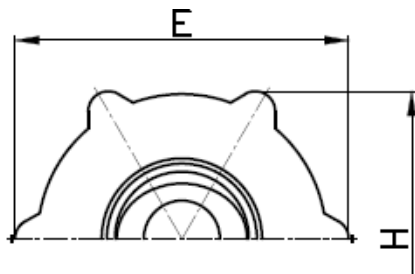


Female Adapter (NH)

Pressure Ratings			
	< 5/16"	3/8"	1/2"
33 °F	290 psi	232 psi	203 psi
68 °F	290 psi	232 psi	203 psi
150 °F	232 psi	203 psi	116 psi

Torque Allowance					
Thread Size	1/8"	1/4"	3/8"	1/2"	3/4"
Max Torque	1.1 ft lbs	1.1 ft lbs	2.2 ft lbs	2.2 ft lbs	2.9 ft lbs



Model	ØD	ØP	T(NH)	L	A	B	H(Hex)	ØE	WEIGHT(g)
AFA6M-NH6	06	15.5	3/4	34.2	7	16.1	36.7	41.6	34.9
AFA8M-NH6	08	20.0	3/4	36.6	7	17.5	36.7	41.6	36.5
AFA10N-NH6	10	20.0	3/4	36.9	7	20.1	36.7	41.6	38.1