



Easy-Change Water Dispenser/Icemaker Filter Installation and Operating Instructions Model IC-750

Specifications

Pressure Range: 30–125 psi (2.1–8.62 bar)
 Temperature Range: 40–100°F (4.4–37.8°C)
 Rated Service Flow: 0.75 gpm (2.8 Lpm)
 Filter Capacity: 2500 gallons (9460 L)
 Turbidity: 5 NTU max

Parts Included:

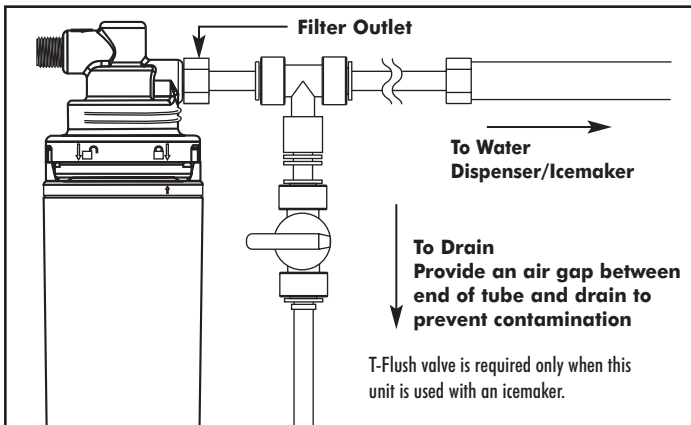
- Filter head with built-in bracket and compression fittings
- 750R filter cartridge
- Screws for mounting bracket

Tools and Materials Required

- Phillips screwdriver
- File (Copper tubing only)
- Pipe cutter or hacksaw (copper tubing only)
- Utility knife (for plastic tubing)
- Towel
- Pencil
- Tape Measure

Optional Materials

- Shut off valve
- Saddle tap valve w/ shut off
- 1/4" plastic or copper tubing, or flexible hose
- Fittings
- T-Flush valve (Model FVK-100*)
 Recommended when used with an icemaker that is not in combination with a water dispenser. This valve is installed after the filter, so the filter can be flushed to remove carbon fines or release pressure before removing cartridge. See Diagram below.
 *Not Performance Tested or Certified by NSF.



Precautions

- WARNING:** Do not use with water that is microbiologically unsafe or of unknown quality without adequate disinfection before or after the system.
- CAUTION:** This filter must be protected from freezing, which can cause cracking of the filter and water leakage.
- CAUTION:** Because of the product's limited service life and to prevent costly repairs or possible water damage, we strongly recommend that the head of the filter be replaced every ten years. If the head of your filter has been in use for longer than this period, it should be replaced immediately. Date the top of any new head to indicate the next recommended replacement date.
- CAUTION:** Turn off water supply to head without cartridge if it must be left unattended for an extended period of time.

NOTE:

- For cold water use only.
- Make certain that installation complies with all state and local laws and regulations.
- The contaminants or other substances removed or reduced by the selected cartridge are not necessarily in your water. Ask your local water municipality for a copy of their water analysis, or have your private well tested by a reputable water testing lab.
- After prolonged periods of non-use (such as during a vacation) it is recommended that the system be flushed thoroughly. Let water run for 2-3 minutes before using.
- The filter cartridge used with this system has a limited service life. Changes in taste, odor, color and/or flow of the water being filtered indicate that the cartridge should be replaced.



The IC-750 with 750R or 1000R replacement cartridge is Tested and Certified by NSF International to NSF/ANSI Standard 42 for the aesthetic reduction of Taste and Odor and Chlorine and Particulate Class I*, Standard 53 for the reduction of Cysts*, Lead*, Lindane*, Atrazine*, and Turbidity*.

*Applies to 1000R replacement cartridge only.

Installation

- For standard installation on 1/4-inch copper, plastic or flexible hose cold water line.
- Please read all instructions and precautions before installing and using your IC-750 water dispenser Icemaker Filter
- Numbered diagrams correspond with numbered steps
- Instructions refer to standard installation on existing water line to refrigerator. Before installation, make sure there is enough slack in existing water line to allow refrigerator to be moved out from the wall.

Technical Support: 1-800-645-5426
 (M-F 7:30 am - 5:00 pm CST)

Installation Continued

1. Mounting the Filter System

(A) Turn off the cold water supply to the refrigerator and dispense the water from the refrigerator door until water flow stops to release the pressure in the pipes before starting installation. Place a tray or towels under the cold water line to catch the excess water after the pipes are cut.

NOTE: Before starting installation, turn off the icemaker in the refrigerator and store the ice cubes in a clean container in the freezer.

(B) Select location under sink, in basement or near refrigerator where filter is to be mounted.

NOTE: Filter should not be more than 3 feet from the appliance.

NOTE: Allow 1-1/2-inches (33 mm) clearance below housing or 11-inches below filter head to enable filter cartridge changes.

CAUTION: Filter head should be mounted on stud or firm surface. The mounting bracket will support the weight of the filter and help prevent strain on the cold water line.

WARNING: DO NOT screw mounting bracket directly onto the refrigerator.

(C) Filter head should be mounted in vertical position. Use mounting bracket as a template to mark screw locations. Mount filter head in marked location using screws.

CAUTION: Water supply to the refrigerator should have a separate shut off valve installed before filter. If it does not, a separate shutoff should be installed.

2. Cutting or Disconnecting the Tubing

Use a 7 to 8 foot coil (3 coils, approximately 10" diameter) of plastic, copper or flexible hose between the outlet of the filter and the refrigerator.

Determine the length of plastic, copper or flexible hose needed to connect the inlet and outlet of filter.

Using a pipe cutter or hacksaw for copper tubing or utility knife for plastic; cleanly cut tubing or disconnect flexible hose from refrigerator. Leave a minimum of 2-inches (51 mm) of pipe after shut-off valve in case pipe must be re-cut at a later time. Deburr ends of remaining pipe with a file.

3. Connecting the Tubing and Fittings

(A) Connecting the Inlet.

Assemble fittings as shown. Press tubing into fitting until it stops. Hand tighten plus 1 to 1-1/2 turn(s) with a wrench.

(B) Connecting the Outlet.

NOTE: If the water cannot be flushed through an existing water dispenser, install T-Flush valve first and then connect the outlet of the filter the same as step 3A. See Page 1 for a T-Flush valve diagram.

Connect outlet of filter the same as step (3A)

4. Installing the Cartridge

(A) Hold cartridge from the bottom when installing or changing the cartridge. Use caution not to scrape knuckles on bracket when locking the cartridge into place.

(B) Line up the arrow on the cartridge with unlocked padlock on head. Insert cartridge and turn arrow to locked padlock. See Diagram R4 in Filter Cartridge Replacement on page 3.

5. Putting the Filter into Operation

(A) Turn on water supply to allow filter to fill with water. Check for leaks. If it leaks, see Troubleshooting.

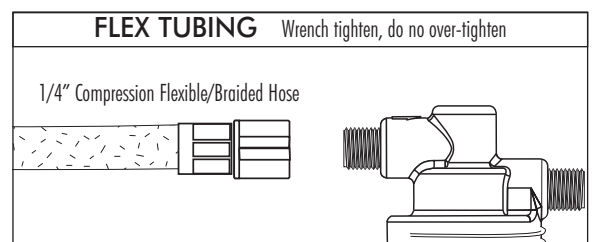
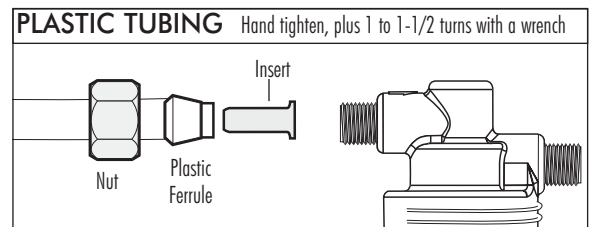
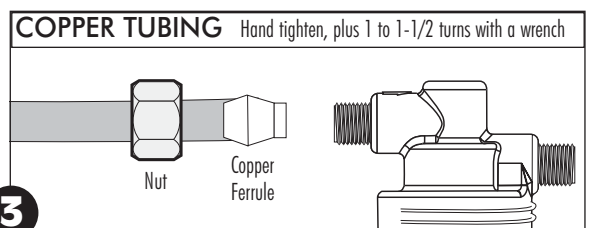
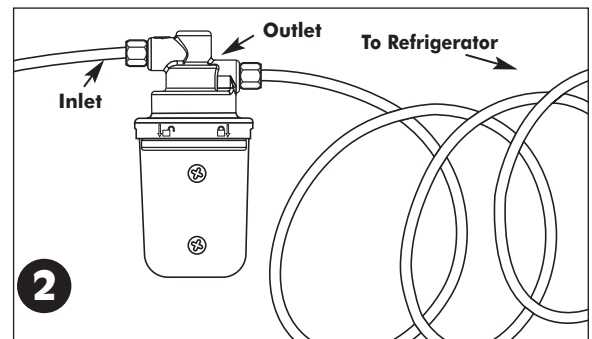
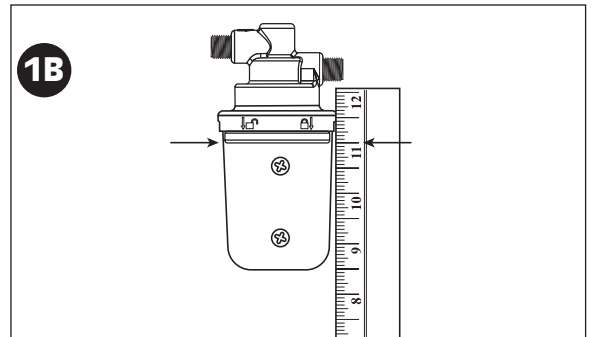
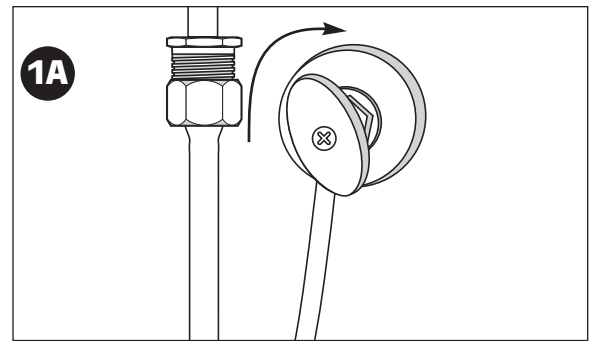
(B) Flush filter for 5 minutes through the water dispenser or if appliance is equipped with only an icemaker, through the T-Valve, and discard water.

(C) Turn on Icemaker.

(D) Check for leaks before leaving installation. If it leaks, see Troubleshooting.

NOTE: A drinking water cartridge may contain carbon fines (very fine black powder). If your icemaker contains black carbon fines, discard ice.

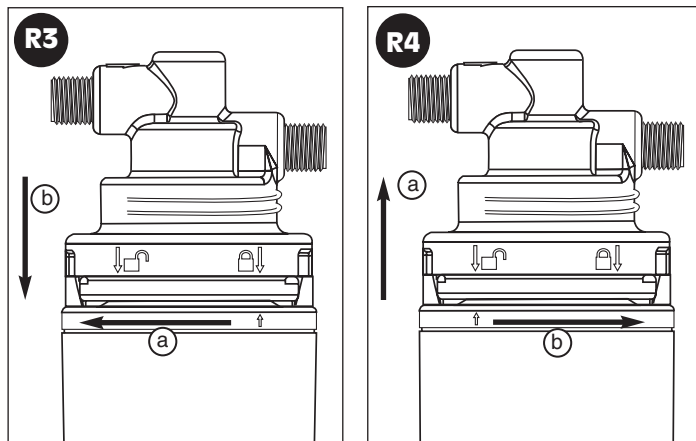
(E) Installation is Complete.



R. Filter Cartridge Replacement

NOTE: It is recommended that the filter be replaced every twelve months, or when you notice a change in taste, odor, or flow of the water being filtered.

- (1) Relieve pressure by turning off water supply to the filter and dispense water from water dispenser or T-flush valve until water flow stops.
- (2) Place towel under the system to catch any water drips.
- (3) (a) Turn arrow from locked to unlocked position and (b) remove cartridge.
- (4) (a) Line up arrow with unlocked position on head and insert cartridge. (b) Turn to locked position.
- (5) Turn on water and check for leaks. If it leaks, see Troubleshooting.
- (6) Flush water through water dispenser or T-Flush valve for 5 minutes to remove carbon fines. Check for leaks before leaving installation.



Performance Data

Model IC-750

Important Notice: Read this performance data and compare the capabilities of this system with your actual water treatment needs. It is recommended that, before installing a water treatment system, you have your water supply tested to determine your actual water treatment needs.

This system has been tested according to NSF/ANSI 42 for the reduction of the substances listed below. The concentration of the indicated substances in water entering the system was reduced to a concentration less than or equal to the permissible limit for water leaving the system, as specified in NSF/ANSI 42.

Model 750R Cartridge

Substance	Influent Challenge Concentration	Reduction Requirements	Average
Standard 42 Aesthetic Effects			
Chlorine	2.0 mg/L ± 10%	≥ 50%	87.8%

Flow Rate=0.75 gpm (2.8 Lpm) Capacity=2500 gallons (9460 L) or 12 months
Testing was performed under standard laboratory conditions. Actual performance may vary.

This system has been tested according to NSF/ANSI 42 and 53 for the reduction of the substances listed below. The concentration of the indicated substances in water entering the system was reduced to a concentration less than or equal to the permissible limit for water leaving the system, as specified in NSF/ANSI 42 and 53.

1000R Cartridges

Substance	Influent Challenge Concentration	Max. Permissible Product Water Concentration	Reduction Requirements	Minimum Reduction	Average Reduction
Standard 42 Aesthetic Effects					
Chlorine	2.0 mg/L ± 10%		≥ 50%		99%
Particulates (0.5- < 1m) Class I	at least 10,000 particles/mL		≥ 85%		99.8%
Standard 53 Health Effects					
Cysts†	Minimum 50,000/L		99.95%	99.99%	99.99%
Turbidity	11 ± 1 NTU	0.5 NTU		99.6%	99.7%
Lead (pH 6.5)	0.15 mg/L ± 10%	0.010 mg/L		99.3%	99.3%
Lead (pH 8.5)	0.15 mg/L ± 10%	0.010 mg/L		98%	98.6%
Atrazine	0.009 mg/L ± 10%	0.003 mg/L		97.7%	97.7%
Lindane	0.002 mg/L ± 10%	0.0002 mg/L		97.5%	97.5%

Flow Rate=0.5 gpm (1.89 Lpm) Capacity=500 gallons (1892 L) or 6 months

† Based on the use of microspheres or *Cryptosporidium parvum* oocysts.

Testing was performed under standard laboratory conditions, actual performance may vary.

Test Conditions:

Flow Rate	= 0.75 gpm
Inlet Pressure	= 60 psi (4.1 bar)
pH	= 7.5 ± 1
Temperature	= 68° F ± 5° F (20° C ± 2.5° C)

Operating Requirements:

Pressure	= 30-125 psi (2.1-8.62 bar)
Temperature	= 40°-100° F (4.4°-37.7° C)
Turbidity	= 5 NTU Max

Do not use with water that is microbiologically unsafe or unknown quality without adequate disinfection before or after the system.

Troubleshooting

Leaks:

...Between head and cartridge

- (1) Turn off the water supply to the filter and dispense water from the refrigerator door or T-Flush valve until water and airflow stops.
- (2) Remove cartridge and inspect o-rings to make sure they are in place and clean.
- (3) Install cartridge and turn on water supply, if it still leaks, contact Technical Support at 1-800-645-5426. M-F 7:30 AM - 5 PM CST. Turn off icemaker if filtered water goes to icemaker.

...From fittings

Relieve pressure by turning off water supply to the filter and dispense water through the refrigerator door or T-Flush valve until water and airflow stops. For copper or plastic tubing, loosen the compression nut and pull the tubing from the brass fitting. Inspect to see if the ferrule and insert (plastic only) are properly installed on the tubing. If so, reconnect tubing finger-tight, then tighten nut snug about 1/2 to 1 turn with a wrench. Open the water supply valve. If the leaks persist, or if there are other leaks on the unit, turn off the water supply and icemaker, then call Technical Support at 1-800-645-5426. If the fitting does not leak, turn on the icemaker.

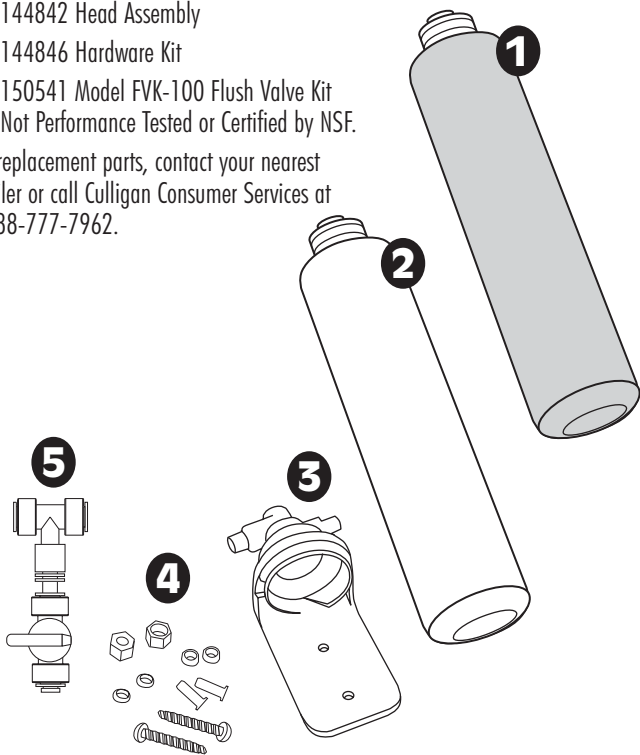
Maintenance

Contact your area retailer or local water treatment professional for replacement cartridge pricing.

Replacement Parts

- 1 155901 750R Filter Cartridge
- 2 155785 1000R Filter Cartridge (not for sale in California with the 1000R cartridge)
- 3 144842 Head Assembly
- 4 144846 Hardware Kit
- 5 150541 Model FVK-100 Flush Valve Kit
Not Performance Tested or Certified by NSF.

For replacement parts, contact your nearest retailer or call Culligan Consumer Services at 1-888-777-7962.



2 Year Limited Warranty

This warranty applies to the Filter Head only. It does NOT apply to component parts or any disposable filter cartridge, which has a life expectancy that varies with the water being filtered. This warranty covers defects in materials and workmanship only for two full years from original date of delivery. Culligan will replace any part which in Culligan's opinion is defective, unless: (1) any part of the system has been subjected to any type of tampering, alteration, or improper use after delivery, or (2) any part of the system has been repaired by anyone not approved by Culligan. Our obligation does not include the cost of shipment of materials. Culligan is not responsible for damage in transit, and claims for such damage should be presented to the carrier by the customer.

This product has been designed solely for use as a head for a disposable filter cartridge. It is NOT warranted against freezing, and neither this product nor its parts is warranted against defects or deterioration caused by uses for which this product was not expressly intended.

THE FOREGOING WARRANTY IS EXCLUSIVE AND IN LIEU OF ALL OTHER WARRANTIES, EXPRESSED OR IMPLIED, WHETHER ORAL OR ARISING BY USAGE OF TRADE OR COURSE OF DEALING, INCLUDING, WITHOUT LIMITATION, ANY WARRANTIES OF FITNESS OR MERCHANTABILITY. THIS WARRANTY IS THE PURCHASER'S SOLE AND EXCLUSIVE REMEDY. IN NO EVENT SHALL CULLIGAN BE LIABLE FOR ANY ANTICIPATED OR LOST PROFITS, INCIDENTAL DAMAGES, CONSEQUENTIAL CHARGES OR OTHER LOSSES, WHETHER BASED ON BREACH OF CONTRACT, TORTIOUS CONDUCT OR ANY OTHER THEORY, INCURRED IN CONNECTION WITH THE PURCHASE, INSTALLATION, REPAIR OR OPERATION OF THE OPAQUE FILTER HOUSING. CULLIGAN DOES NOT AUTHORIZE ANYONE TO ASSUME FOR IT ANY LIABILITY OR MAKE ON ITS BEHALF ANY ADDITIONAL WARRANTIES IN CONNECTION WITH THE FILTER HEAD OR ANY PART THEREOF.

For servicing under this warranty, return any defective part to YOUR RETAILER within the two-year period referred to above.

IOWA RESIDENTS ONLY:

Store or seller's name

Address

City

State

Zip

Telephone

Seller's signature

Customer's signature

Date

Culligan™

Culligan International Company
One Culligan Parkway
Northbrook, Illinois 60062
www.culligan.com

Customer Service M-F 7:30 a.m – 5:00 p.m. CST
Phone: 1-800-634-1455 Fax: 1-888-749-8826
International: Phone (920) 457-9435 • Fax (920) 457-2417
e-mail: customerservice@culligan.com

Sales & Marketing Correspondence
P.O. Box 1086 • Sheboygan, WI 53082-1086
Fax (847) 291-7632
e-mail: sales-marketing@culligan.com