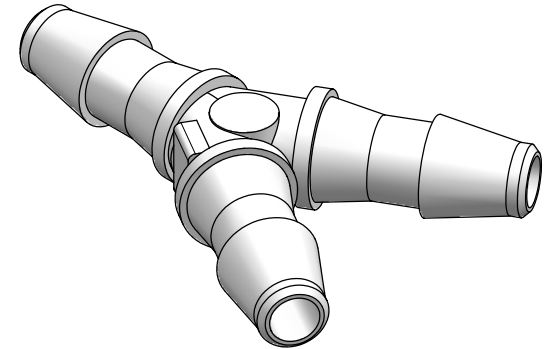
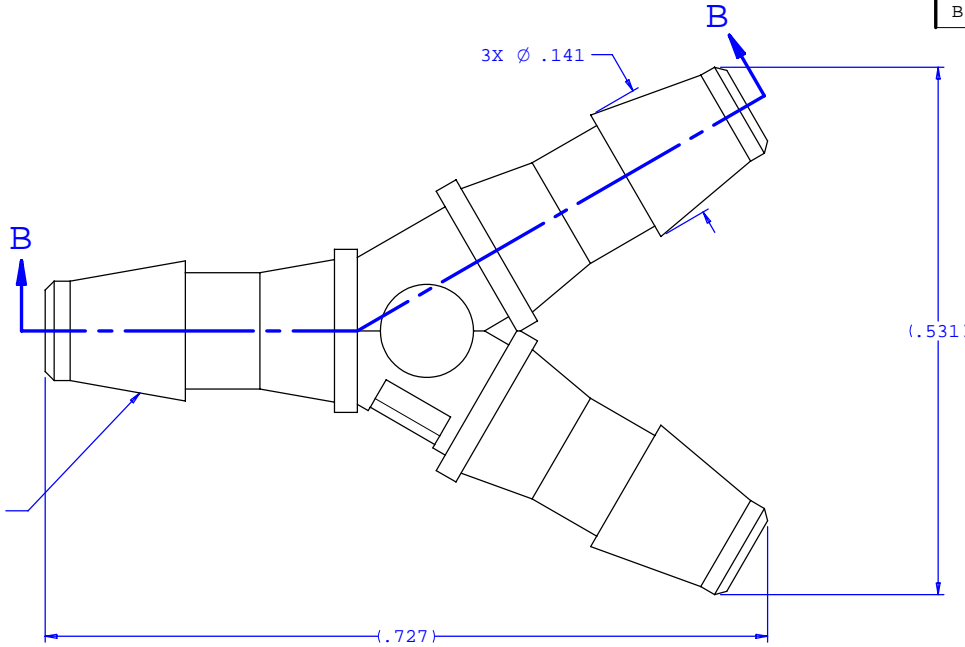
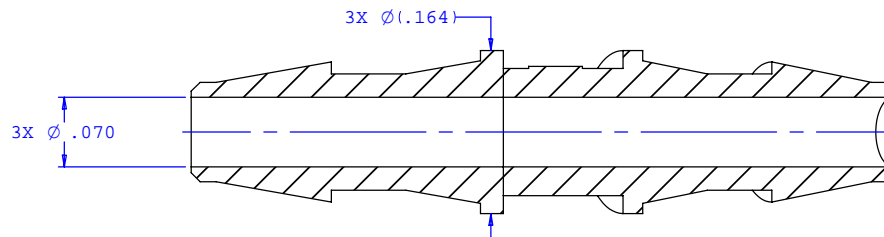


NOTE: FOR MORE DETAILS SEE YOUR V.P. CUSTOMER SERVICE REP.

REVISIONS			
REV.	DESCRIPTION	DATE	APPROVED
A	INITIAL RELEASE	12-27-02	
B	CO 018 Drafting Update	08-18-05	RICKC



3X INSTRUMENT QUALITY PART. NO PARTING LINE PERMITTED ON THIS CONICAL SURFACE



SECTION B-B

UNLESS OTHERWISE SPECIFIED DIMENSIONS ARE IN INCHES TOLERANCES ARE:		<b>VALUE PLASTICS, INC.</b>	
FRACTIONS	DECIMALS	ANGULAR	PART NUMBER: Y220
±	.XX ±.01	±1°	DESCRIPTION: Y Connector with 200 Series Barbs, 3/32" (2.25 mm) ID Tubing
	.XXX ±.005		
	.XXXX ±.001		
DO NOT SCALE DRAWING			
DRAWN BY: Frank Lombardi	DATE: 06-13-05	SIZE: B	SCALE: NTS
Engineer/Manager: Rick Cairns		DRAWING NUMBER: 1006902	REV. B
© 2005 VALUE PLASTICS, INC.			SHEET: 1 OF 1

**FOR REFERENCE ONLY**