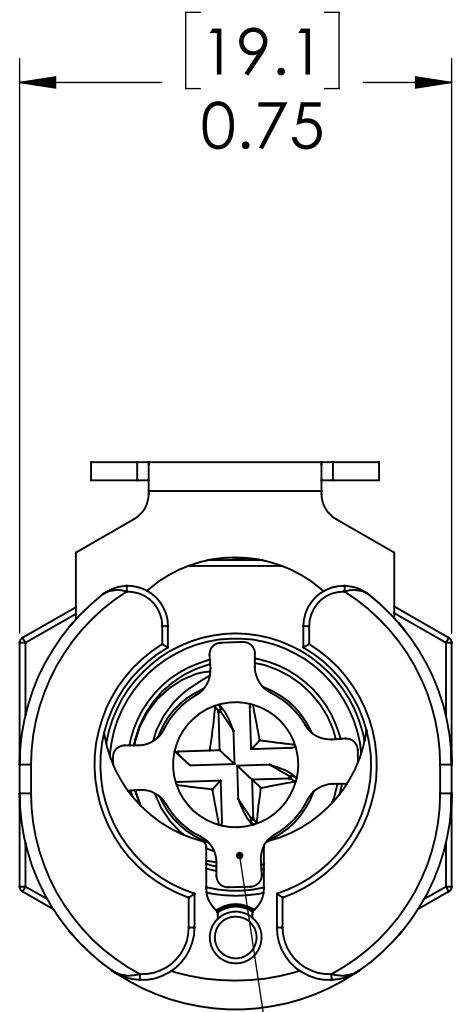
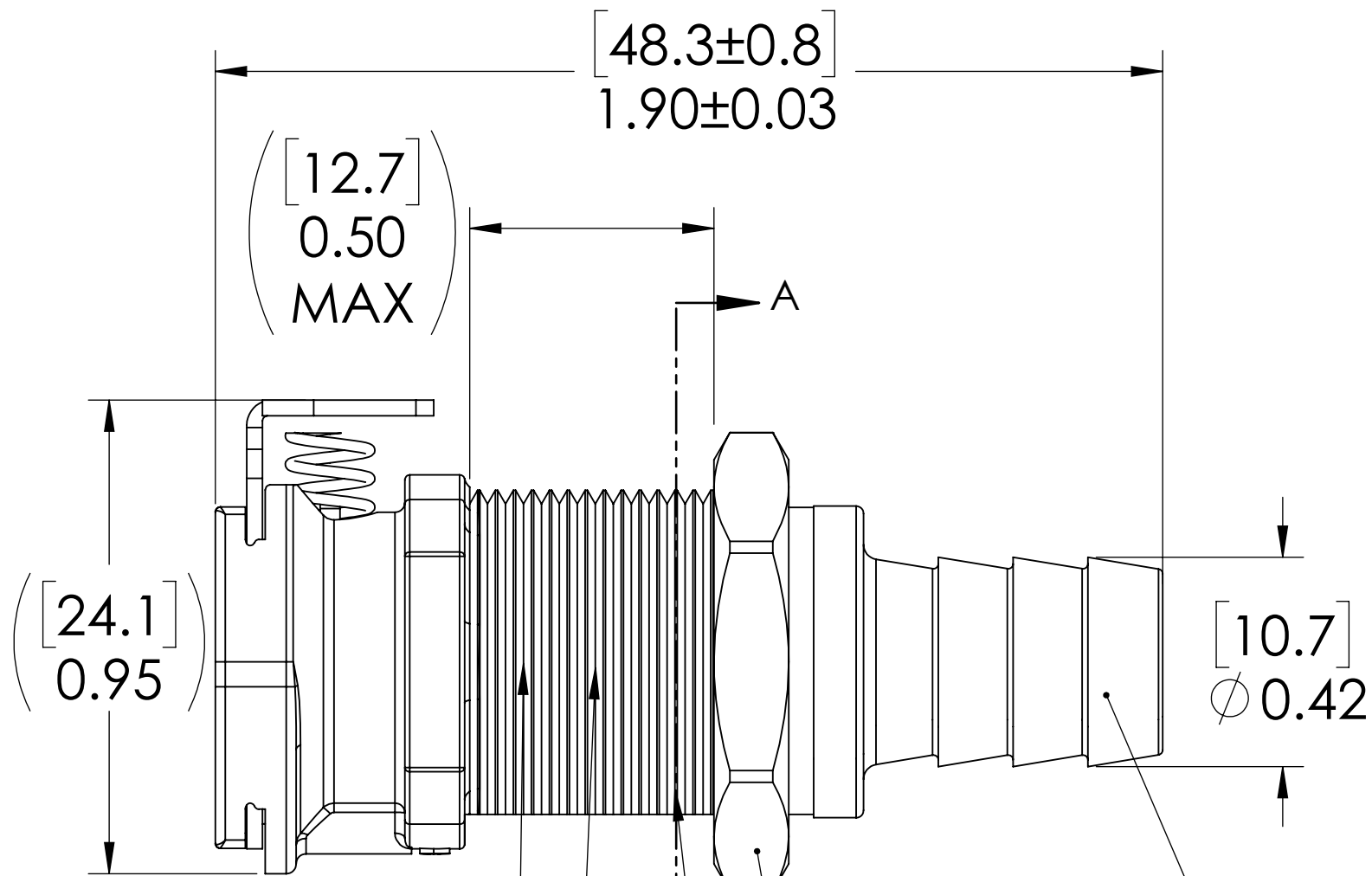


REVISIONS						
SHEET	ZONE	REV.	ECO	DESCRIPTION	DATE	APPROVED
1	ALL	A	50242	PIN, PIN SPRING & DWG FORMAT UPDATE	7/24/2018	HRC



**VALVE,
(ACETAL)**



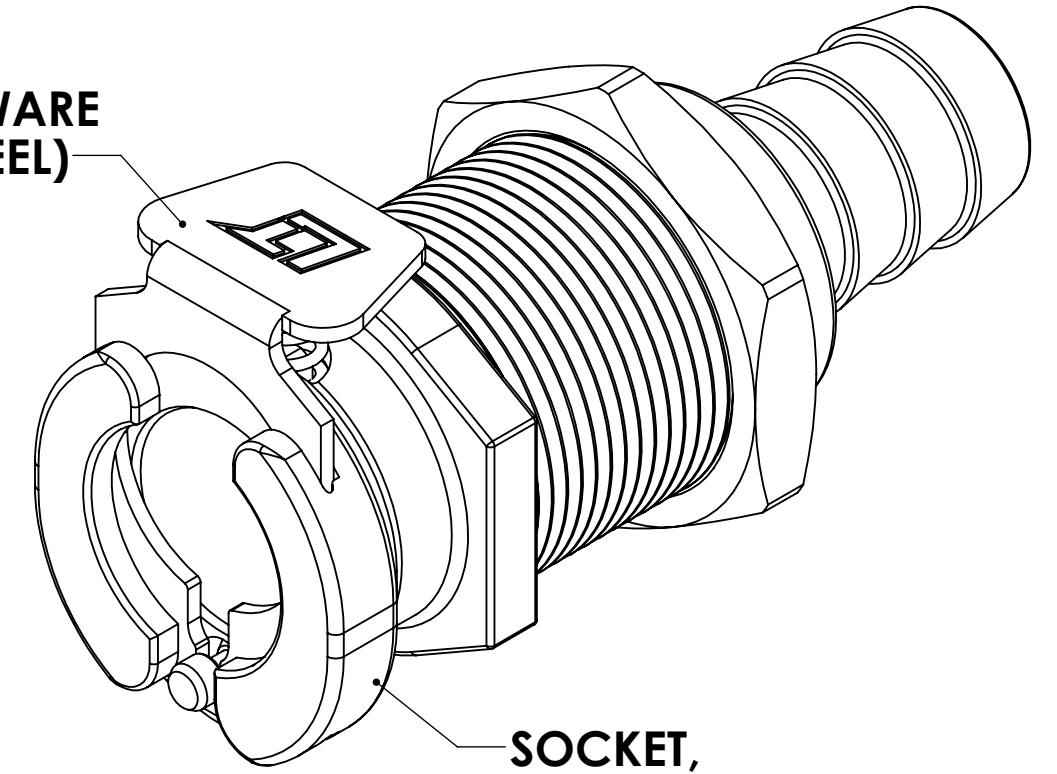
**VALVE O-RING,
INTERNAL
(BUNA-N)**

**VALVE SPRING,
INTERNAL
(STAINLESS STEEL)**

**PANEL NUT,
(BRASS, NICKEL PLATED)
PACKAGED SEPARATELY**

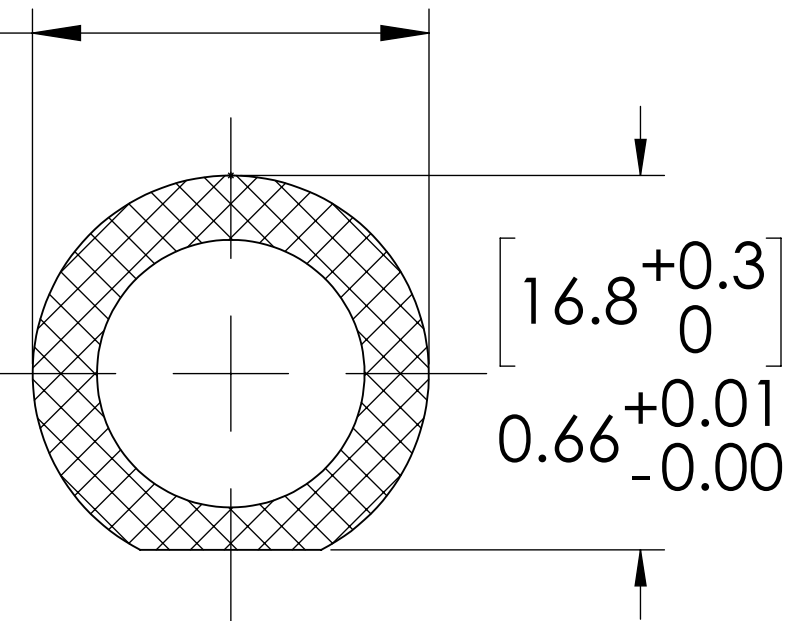
11/16"-24 THREAD

**LATCH HARDWARE
(STAINLESS STEEL)**



**SOCKET,
(ACETAL)**

$[17.5^{+0.3}]_0$
 $\phi 0.69^{+0.01}_{-0.00}$



**PANEL OPENING
(SECTION A-A)**

3/8" TUBE ID

NOTES:

1. MATERIAL: ACETAL
2. COLOR: NATURAL WHITE
3. O-RING MATERIAL: BUNA-N
4. O-RINGS LUBRICATED WITH FOOD GRADE SILICONE OIL, 350 CST.

FOR REFERENCE ONLY

<small>UNLESS OTHERWISE SPECIFIED: DIMENSIONS ARE IN INCHES TOLERANCES: FRACTIONAL ± 1/32 ANGULAR, MACH ± 0.5 BEND ± 2 ONE PLACE DECIMAL ± 0.1 TWO PLACE DECIMAL ± 0.01 THREE PLACE DECIMAL ± 0.005 TWO PLACE DUAL (mm) [±0.12]</small>	DRAWN	ER	08-14-17	
	CHECKED	HRC	06-13-12	
	ENG APPR.	HRC	7/24/18	
	MFG APPR.	BDB	7/24/18	
PRODUCTION	LS	7/24/18	COMMENTS:	PART NO: 40ACV-SB3-06 DESCRIPTION: LinkTech 40AC Series Panel Mt. Female, Valved, 3/8" HB, Natural Acetal
<small>THE INFORMATION CONTAINED IN THIS DRAWING IS THE SOLE PROPERTY OF LINKTECH LLC. ANY REPRODUCTION OR DISCLOSURE IN PART OR AS A WHOLE WITHOUT THE WRITTEN PERMISSION OF LINKTECH LLC IS STRICTLY PROHIBITED.</small>		SIZE DWG. NO. C 40AC400107	REV A	SCALE: NTS WEIGHT: SHEET 1 OF 1