

OptiPure

Model: **QTTS10-1**
Part #: 160-52090

Snapshot

The QTTS10-1 is a single-cartridge water treatment system with a 10" Qwik-Twist cartridge that reduces sediment down to 5-microns. The system includes IsoNet®, OptiPure's patented scale inhibiting technology, which delivers consistent protection against the precipitation and accumulation of scale and provides a protective barrier to help guard against corrosion.

System Benefits

- IsoNet® - OptiPure's patented scale inhibiting technology helps protect equipment against scale and corrosion for the rated capacity of the system.
- Reduces maintenance frequency and cost, and extends equipment life.
- Gradient-density sediment filtration protects against dirt, rust and other debris down to 5-microns.
- Sturdy mounting bracket and full-flow inlet shut-off valve simplify installation.
- Built-in pressure gauge allows visual monitoring of when filters need to be changed.
- Inlet shut-off valve makes filter replacement quick and simple.
- Utilizes Qwik-Twist cartridges that make changing filters quick, easy and sanitary.



Application

COMBINATION APPLICATIONS - (Secondary Filtration)
- Provides protection against scale and corrosion.

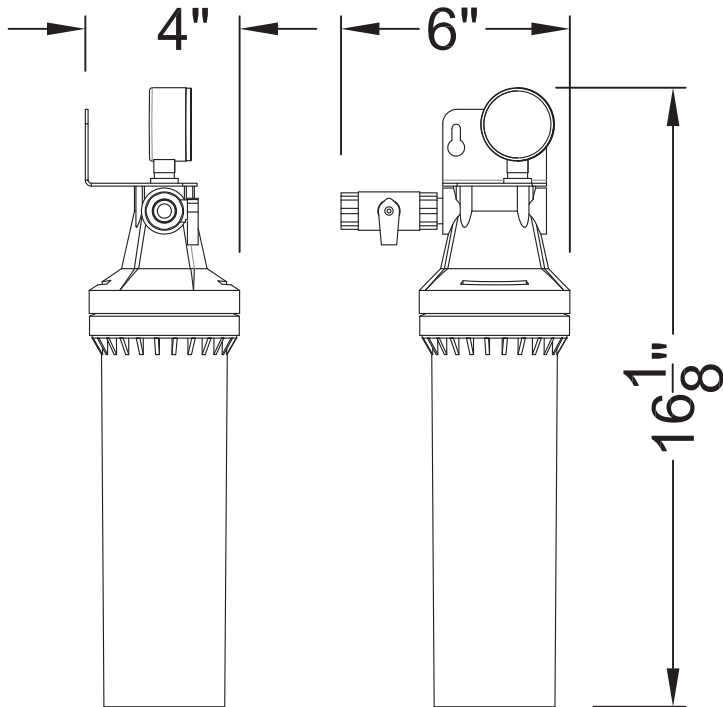
ICE - Cuber up to 800 lbs. and Flaker up to 1200 lbs.,
where chlorine reduction is not required.

Installation Tips

- Feed-water connection to system should be COLD only.
- Do not exceed system specifications for temperature and pressure.
- Allow 3" clearance below system for filter cartridge removal and cartridge replacement.
- Connect filtered water line to ice or steam connections only. Do not use for condenser water.
- Detailed installation, operation & maintenance manual included with each system.
- No activation procedure or flushing required for system to perform as specified.



Model: **QTTS10-1**
Part #: 160-52090



► Specifications

System	
Dimensions (Height x Width x Depth, Inches)	16.1" h x 6" w x 4" d
Connection - Inlet & Outlet	3/8" NFPT
Operating Pressure Range	10 - 125 psi (0.7 - 8.6 bar)
Inlet Water Temperature Range	35° - 10° F (2° - 38° C)
Shipping Weight	3 lbs.
Performance	
Chlorine, Taste and Odor Reduction Capacity	N/A
Service Flow Rate	2.0 gpm (7.5 lpm)
Sediment Reduction	5.0 microns (nominal)
Scale & Corrosion Inhibitor	IsoNet (70 grams)

► Replacement Cartridge(s)

Model	Part Number	Qty
PTS-Q	300-05805	1

► Options

Model	Description	Part Number
Flush Valve Kit	QT Flush Valve Kit	160-52912



WARNING:
Cancer and Reproductive Harm -
www.P65Warnings.ca.gov.

► Warranty

All system components and assembly except for filter cartridges, separation membranes, permeate pumps, electric motors, diaphragm pumps, and rotary vane pumps shall be warranted against defects in workmanship for a period of 60 months from the date of original shipment. For complete warranty information, contact OptiPure customer service or go to www.optipurewater.com.

Dealer/Distributor Info:

It is recommended that pre/post-filters and mineral addition cartridges are changed every 6 months, when capacity is reached or when feedwater pressure or flow becomes inadequate.

Membrane life varies depending on feedwater conditions and pre-filter maintenance. It is 12-18 months under typical conditions, but it can be as long as 3-5 years.

This product is for commercial use only and must be installed and maintained according to manufacturer's guidelines.

Do not use on water that is microbiologically unsafe or of unknown quality without adequate disinfection before or after the system.

OptiPure, A Division of Aquion, Inc.

101 S. Gary Ave., Suite A
Roselle, IL 60172

p: 972.881.9797 e: info@optipure.net

www.optipurewater.com