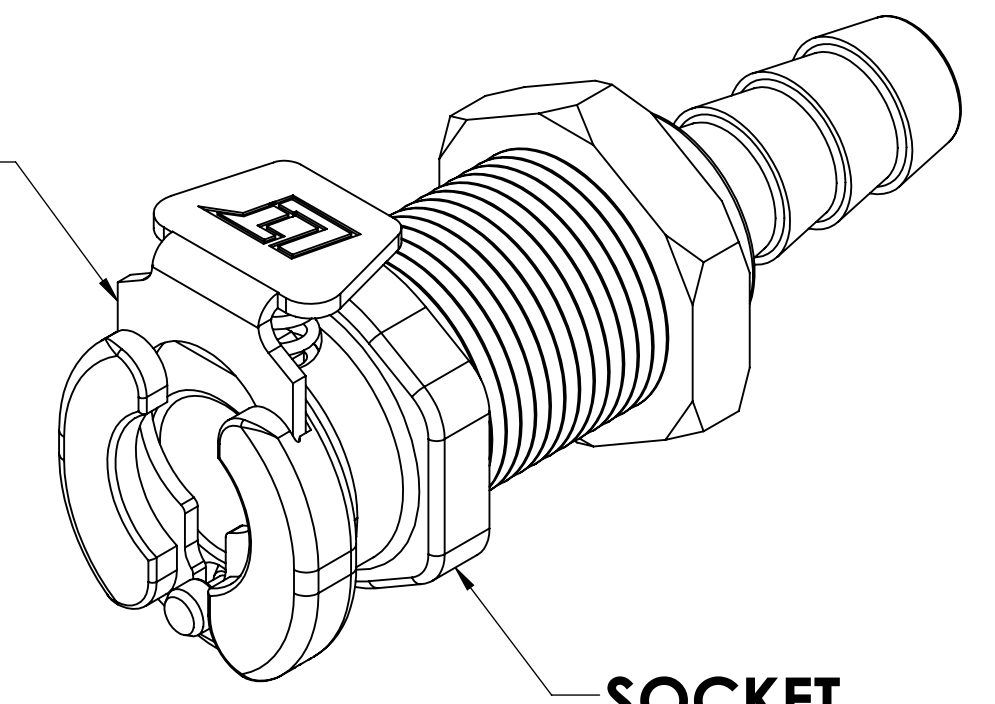
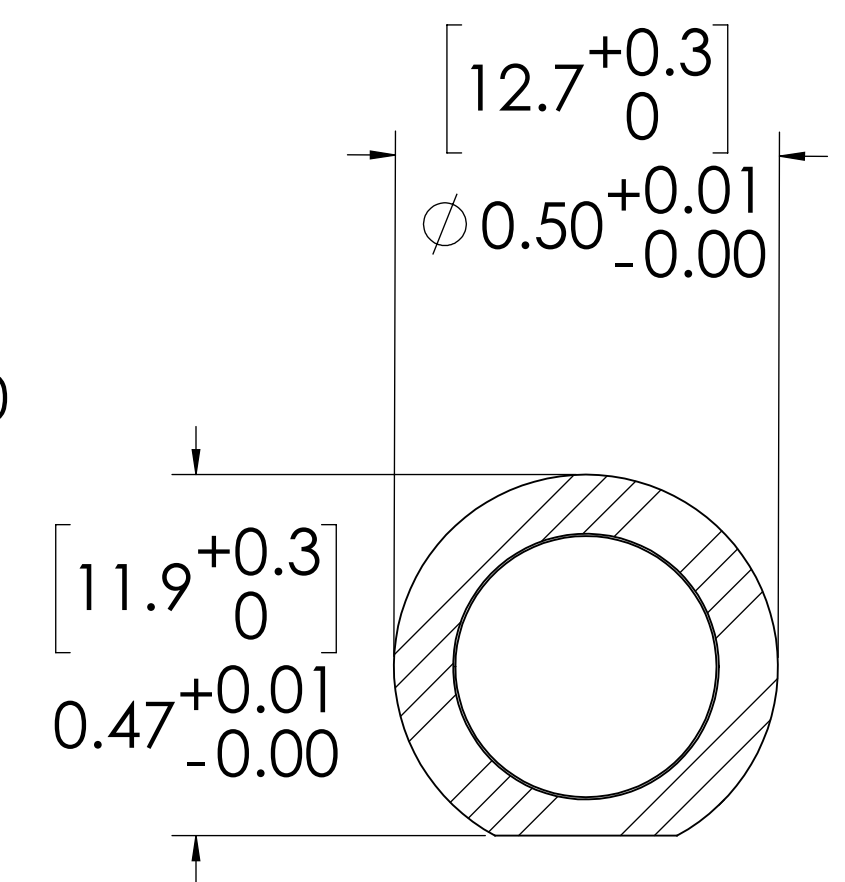
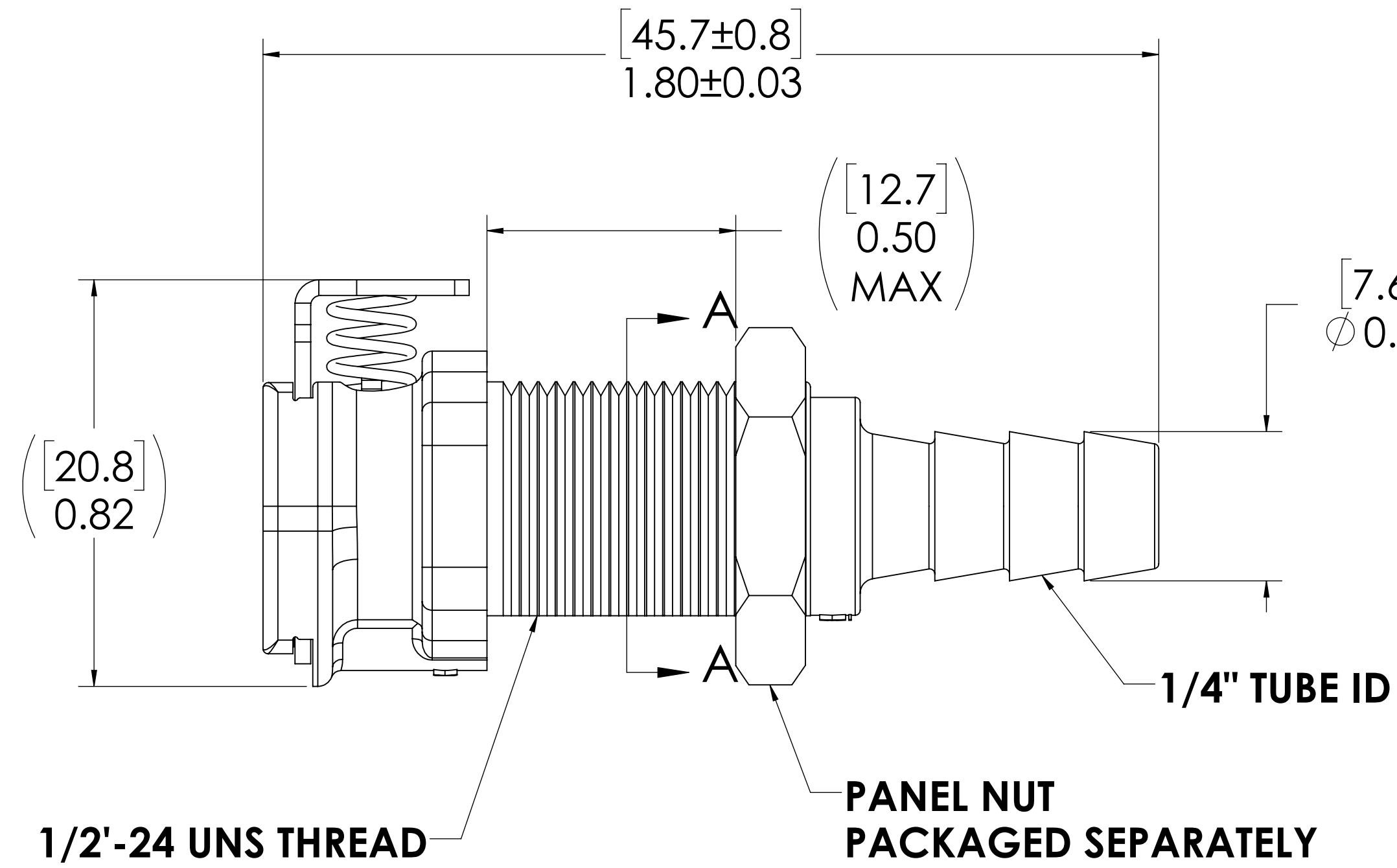
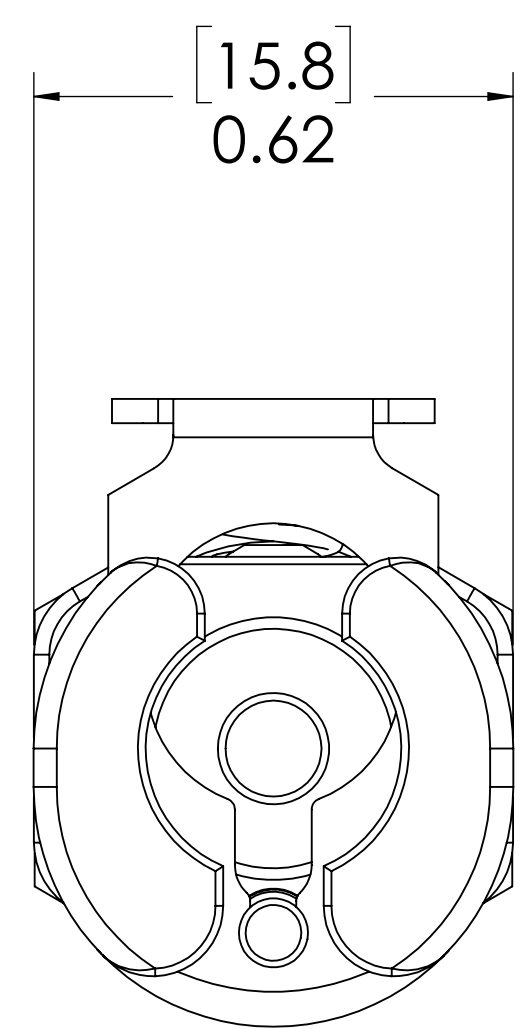


REVISIONS						
SHEET	ZONE	REV.	ECO	DESCRIPTION	DATE	APPROVED
1	ALL	A	50242	PIN, PIN SPRING & FORMAT UPDATE	11/1/2017	HRC

**LATCH
HARDWARE,
(STAINLESS STEEL)**



**SOCKET,
(ACETAL)**



**PANEL OPENING
(SECTION A-A)**

1/2'-24 UNS THREAD

**PANEL NUT
PACKAGED SEPARATELY**

1/4" TUBE ID

FOR REFERENCE ONLY

- NOTES:**
- MATERIAL: ACETAL
 - COLOR: NATURAL WHITE

<small>UNLESS OTHERWISE SPECIFIED: DIMENSIONS ARE IN INCHES TOLERANCES: FRACTIONAL ±1/32 ANGULAR, MACH: ±0.5 BEND ±2 ONE PLACE DECIMAL ±0.1 TWO PLACE DECIMAL ±0.01 THREE PLACE DECIMAL ±0.005 TWO PLACE DUAL (mm) [±0.12]</small>	DRAWN	RDA	8/16/2017	
	CHECKED	HRC	8/16/2017	
	ENG APPR.	HRC	11-01-17	
	MFG APPR.	BDB	11-01-17	
<small>PROPRIETARY AND CONFIDENTIAL THE INFORMATION CONTAINED IN THIS DRAWING IS THE SOLE PROPERTY OF LINKTECH LLC. ANY REPRODUCTION OR DISCLOSURE IN PART OR AS A WHOLE WITHOUT THE WRITTEN PERMISSION OF LINKTECH LLC IS STRICTLY PROHIBITED.</small>	PURCHASING	RK	11-01-17	PART NO: 20AC-S3-04
<small>COMMENTS:</small>				DESCRIPTION: LinkTech 20AC Series Panel Mt. Female, Non-valved, 250 HB, Natural Acetal
SIZE DWG. NO. C 20AC200323			REV A	SCALE: NTS WEIGHT: SHEET 1 OF 1