

**CLARK****CLXC-C1 Series Single Jet Totalizing Water Meter***1/2" & 3/4" Sizes, With or Without Reed Switch Output***DESCRIPTION**

Model series CLXC-C1 meters are single-jet dry type totalizing water meters. They are an ideal choice for a range of water use monitoring applications as well as many OEM and industrial applications where keeping track of consumed water volume is important for meeting regulatory and environmental requirements.

A pulse output of one pulse per gallon, 10 gallons or 10 liters is available.

CLXC-C1 meters are accurate and reliable. They are produced in an ISO9001 certified production facility and conform to International Standard ISO4064.

**SPECIFICATIONS****GENERAL**

Measuring Principle: Single Jet

Meter Type: Dry, magnetic coupling between rotor and register movement

Meter Sizes: 1/2", 3/4"

Max Media Temperature:

Cold Water Meter: 122°F (50°C)

Hot Water Meter: 194°F (90°C)

Max Operating Pressure: 150 PSI

Proof Pressure: 300 PSI

Materials:

Main Casing: Brass (CuZn40Pb2)

Register Box Rings: Brass (CuZn40Pb2)

Transparent Cover: Polycarbonate

Measuring Rotor: Polycarbonate

Rotor Spindles: 304 Austenitic Stainless Steel

Upper Plate: Polycarbonate

Bottom Plate: Polycarbonate

Register Gear Trains: POM

Worm Gear: POM

Registration Accuracy, with water <80°F (27°C):

Normal Test Flow Range (Table 1): ±2%

Pressure Drop: 15 PSI Max, see pressure drop curves

Installation: Horizontal orientation recommended

Casing Spud Connections: External straight threads according to ANSI/ASME B1.20.1. See Dimensions, Connections and Weights (Table 2) for details.

Standard Accessories: Each meter is supplied with meter coupling (tailpiece) sets; includes

2 couplings and 2 gaskets

**OPTIONAL PULSE/REED SWITCH OUTPUT:**

The pulse emitter consists of a plastic housing with a reed switch that is closed when a magnet mounted on one of the meters register gears comes into its

**Table 1- Operating Characteristics**

Model	Size	Max. Flow GPM (m <sup>3</sup> /hr)	Nom. Flow GPM (m <sup>3</sup> /hr)	Min. Flow GPM (m <sup>3</sup> /hr)	Normal Test Flow Limits GPM (m <sup>3</sup> /hr)	Min. Reading Gallons (m <sup>3</sup> /hr)	Max. Reading Gallons (m <sup>3</sup> /hr)	Pulse Output Option
CLXC-C1-15D	1/2"	13.20 (3.0)	7.50 (1.7)	0.13 (.03)	1-13.2 (0.23-3.0)	0.01 (0.0001)	9999999 (99999)	1P/1 or 10Gal 1 P/10 Liters
CLXC-C1-20D	3/4"	22 (5.0)	11.00 (2.5)	0.22 (0.05)	1-22 (0.23-5.0)	0.01 (0.0001)	9999999 (99999)	1P/1 or 10Gal 1 P/10 Liters

A 1.5 meter (59") length of 2-conductor wire 3.5 mm inch diameter is standard. One conductor has red insulation and one has black.

Max Voltage: 24V AC/DC

Max Current: 0.01 A

Output Bounce Time: 0.01 second

**Reed Switch****CLXD-C1 with Reed Switch Output**

## DIMENSIONS, CONNECTIONS, ACCURACY, PRESSURE DROP

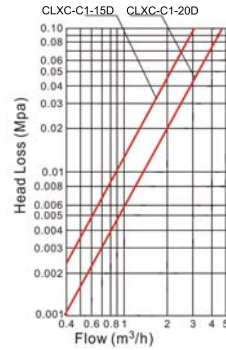
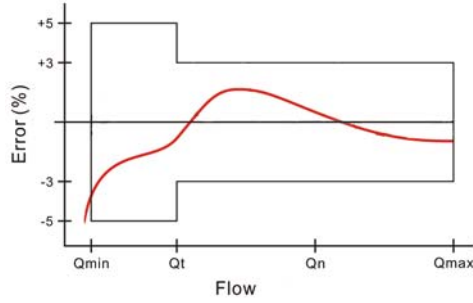
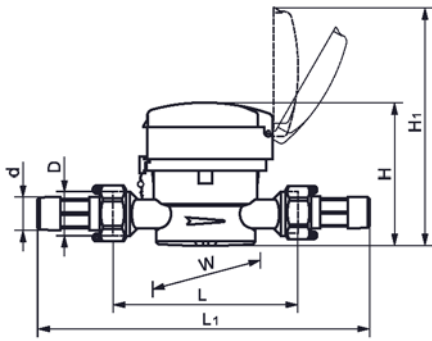


Table 2- Dimensions, Connections & Weights											
Model	Size	L Length Inches (mm)	L1 Overall Length Inches (mm)	W Width Inches (mm)	H Height Inches (mm)	H1 Working Height Inches	D Body Threads (NPS)	d Connector Threads (NPT)	Weight W/O Couplings lb (kg)	Weight W/Couplings lb (kg)	
CLXC-C1-15D	1/2"	4.33 (110)	8.03 (204)	3.15 (80)	2.83 (72)	5.63 (143)	3/4"	1/2" NPT	1.32 (0.6)	1.72 (0.78)	
CLXC-C1-20D	3/4"	5.12 (130)	9.21 (234)	3.15 (80)	2.83 (72)	5.63 (143)	1"	3/4" NPT	1.54 (0.70)	2.16 (0.98)	

### Meter Dial Layout



Cubic Meters with Reed Switch Output



Gallons

## ORDERING INFORMATION

### CLXC-C1-A-B-C-D-E

**EXAMPLE: CLXC-20D-S**

A Meter Size	B Hot or Cold water Meter	C Pulse Output	D Units
15D= 1/2" 20D= 3/4"	C= Cold H=Hot	-- None S= 1Pulse per Gal S10= 1Pulse per 10 Gal S10L= 1 Pulse per 10 Liters (.01 m³)	-- Gallons CM= Cubic meters
Note: Each unit is shipped with a set of two couplings and gaskets			

### TWO PIECE METER COUPLINGS (TAILPIECES)

Coupling Part Number	Description	Material	Length of Coupling	Used With Meter Model	Qty needed per meter
<b>C15T-C1</b>	3/4" NPS female nut to 1/2" NPT male union; includes 2 couplings and 2 gaskets	CuZn40Pb2	2-3/8"	CLXC-15D	1
<b>C20T-C1</b>	1" NPS female nut to 3/4" NPT male union includes 2 couplings and 2 gaskets	CuZn40Pb2	2-1/2"	CLXC-20D	1