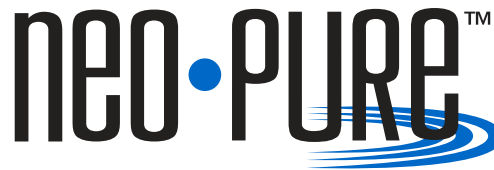


SB Series

Single Bag Filter Housings



*Commercial / Industrial
Filtration Applications*

Standard Features

#1 and #2 Size Filter Housings:

- Manufactured in USA
- Designed for commercial or industrial filter applications
- Heavy-duty 304L or 316L stainless steel construction for maximum durability and corrosion resistance
- V-band clamp or swing bolt closures for quick and easy bag change-outs and secure sealing
- Stainless steel compression spring for positive bag sealing
- 1/4" FNPT gauge ports and 1/2" FNPT drain port
- Adjustable stainless steel leg assembly
- Uses #1 (7x16-1/2") or #2 (7x32") filter bags

Specifications, Operating Parameters and Options

Maximum Operating Pressure

150 psig (10.3 bar) @ 300°F (149°C)

Connections

Inlet/Outlet: Standard – 2" FNPT

Optional: RF flanges or sanitary ferrules

Drain Ports: 1/2" FNPT

Vent Ports: 1/4" FNPT – clean and dirt sides

Materials of Construction

Head/Shell/Connections: 304L or 316L stainless steel, coated or electropolished

Closure: Clamp – 304L stainless steel

Swing bolts – Zinc plated steel

Vent and Drain Plugs: 304L or 316L stainless steel

Gaskets

Standard: Buna N (FDA grade)

Optional: EPR, silicone, Teflon encapsulated silicone, Viton

Finish

Poly-coat on exterior surfaces

Optional: 3M® coated or electropolish

Applications

- Water
- Food and Beverage
- Electronics
- Coolants
- Oil / Gas
- Paints / Inks / Coatings
- Paper and Pulp
- Chemicals

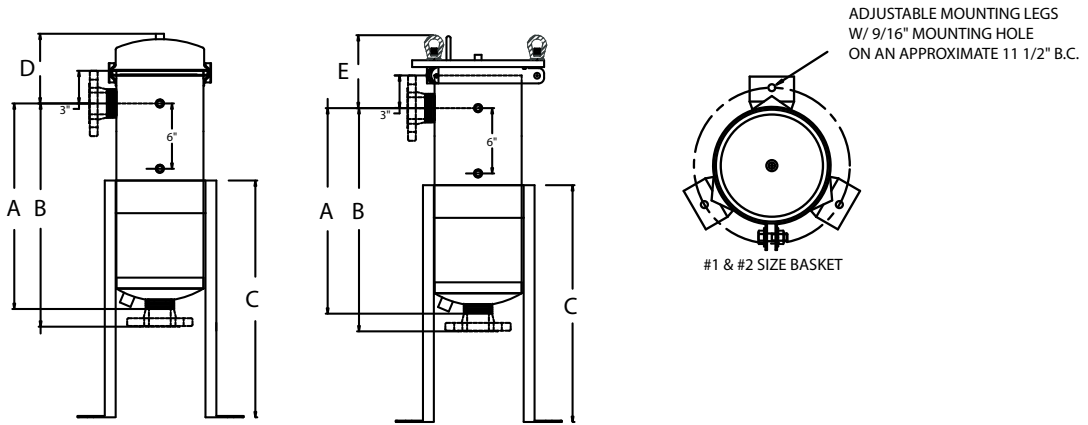


USA MADE

MODEL AND BAG SIZE	CLOSURE	MAXIMUM FLOW* GPM (LPM)	DRAIN SIZE	DIMENSIONS				
				A	B	C	D	E
BCSB-1/SBSB-1	Clamp or Swing Bolt	70 (265)	1/2"	18-7/8" (47.9 cm)	20-1/2" (52.1 cm)	21-3/4" (55.2 cm)	3" (7.6 cm)	6-11/16" (17.0 cm)
BCSB-2/SBSB-2	Clamp or Swing Bolt	150 (567)	1/2"	34-7/8" (88.6 cm)	22-3/4" (92.7 cm)	21-3/4" (55.2 cm)	3" (7.6 cm)	6-11/16" (17.0 cm)

* Flow rates are approximate. Actual flow rates are based upon fluid, viscosity, bag type, micron ratings and other factors.

Dimensions



Ordering Guide (Example: BCSB1-316L-2RF-B-E)

BCSB	1	-	316L	-	2	RF	-	B	-	E
MODEL	BAG SIZE		MATERIAL		INLET/OUTLET SIZE	CONNECTION TYPE		ORIENTATION		GASKET
BCSB = Band Clamp Single Bag SBSB = Swing Bolt Single Bag	1 = 7x16-1/2" 2 = 7x32"		304L = 304L 316L = 316L 304LC = 304L Coated 316LC = 316L Coated 304LEP = 304L Electropolished 316LEP = 316L Electropolished C = Carbon Steel		2 = 2" 3 = 3"	Blank = FNPT RF = RF Flange TC = Ferrules		Blank = Side In / Side Out (standard) B = Side In / Bottom Out		Blank = Buna N (standard) E = EPR S = Silicone V = Viton T = Teflon Encapsulated Silicone

Cartridge Options



Options Available:

Bag Construction: Felt, high efficiency melt blown polypropylene, monofilament mesh and multifilament mesh

Material Selection: Polypropylene, polyester, and nylon

Media: Polypropylene glazed, high efficiency polypropylene, polypropylene monofilament, polyester glazed, polyester monofilament, polyester multifilament, nylon monofilament, oil absorbent

Micron Sizes: 1, 3, 5, 10, 25, 50, 75, 100, 150, 200, 250, 300, 400, 600, 800, 1000

Ring Material: steel, stainless steel, polypropylene, polypropylene flange, draw string

For more options,
see Bag Filter
Brochures

Filter Bags
CLICK HERE

High Density Filter Bags
CLICK HERE

DISTRIBUTED BY: