

MODEL: 8075-142-313

SPECIFICATIONS:

MODEL NUMBER: 8075-142-313

PUMP DESIGN: Positive Displacement 3 Chamber Diaphragm Pump

CAM: 2.5 Degree

MOTOR: Permanent Magnet, P/N 11-169-02

VOLTAGE: 24 VAC Nominal

PRESSURE SWITCH: None

LIQUID TEMPERATURE: 180 Degrees Fahrenheit (82 Degrees Centigrade) Max.

PORTS: 3/8"-18 NPT Female

MATERIAL OF CONSTRUCTION:

PLASTICS- Nylon

VALVES- EPDM

DIAPHRAGM- Santoprene

FASTENERS- Stainless Steel

NET WEIGHT: 4.6 Lbs (2.1 Kg)

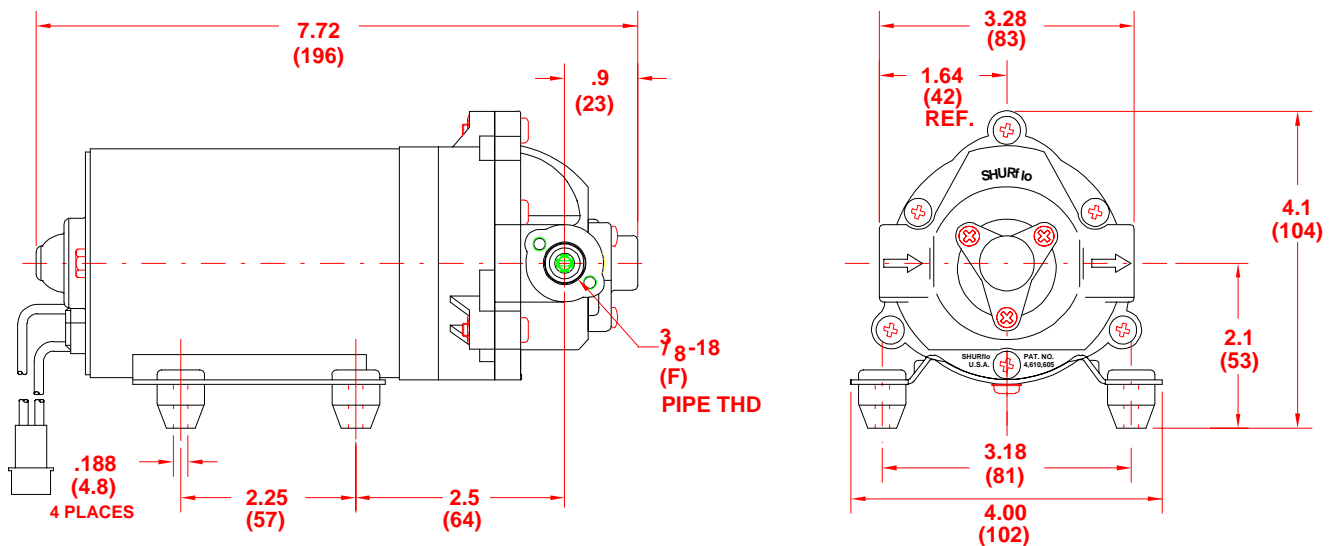
DUTY CYCLE: Continuous (See Temperature Rise Chart)

APPROVALS: N.S.F. Listed

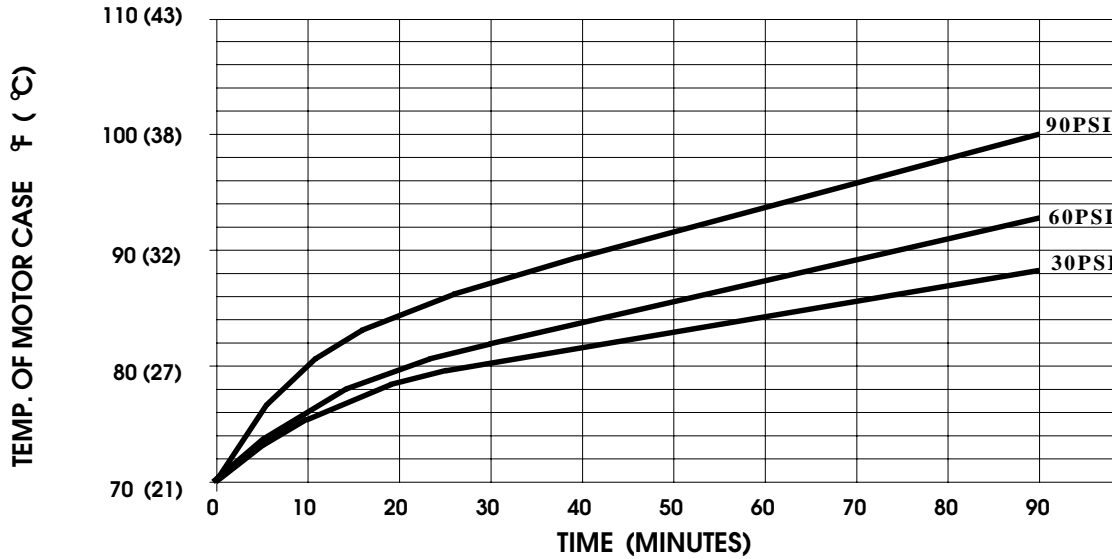
TYPICAL APPLICATIONS: R.O. Booster Pump

BYPASS: 95 PSI

DIMENSIONS:

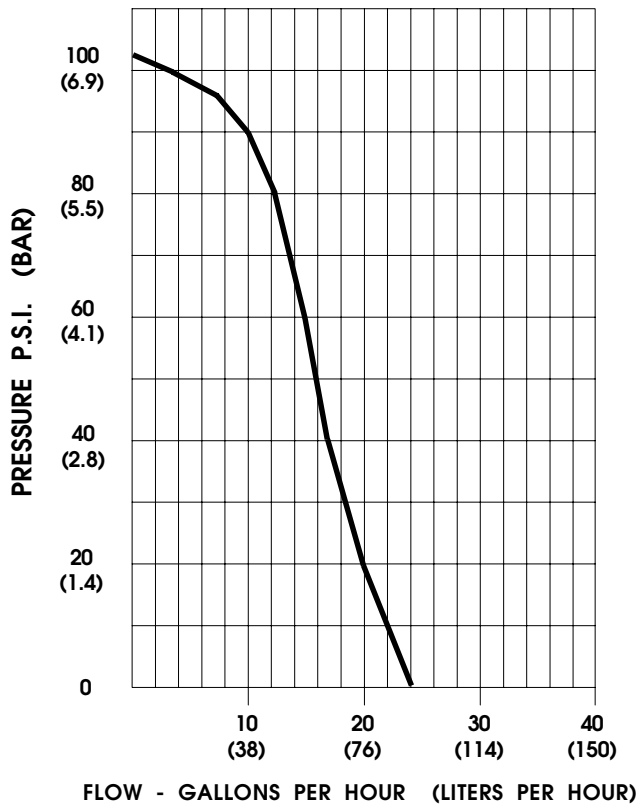


TEMPERATURE RISE



THIS GRAPH IS FOR USE AS A DESIGN GUIDE. IT IS BASED ON RUNNING CONTINUOUSLY WITH AN AMBIENT TEMPERATURE OF 70 ° F IN STILL AIR.

TYPICAL PERFORMANCE



PRESSURE (PSI)	FLOW (GPH/LIT)	RPM MIN/MAX	CURRENT (AMPS)	VOLTAGE (VOLTS)
OPEN	25.0/95	650/680	0.24	24 VAC
10	22.0/83	590/625	0.34	"
20	20.0/76	565/580	0.43	"
30	18.0/68	450/538	0.52	"
40	17.0/64	430/502	0.59	"
50	16.0/61	405/465	0.66	"
60	15.0/57	400/428	0.69	"
70	14.0/53	380/388	0.73	"
80	12.0/45	320/335	0.79	"
90	10.0/3.8	310/324	0.93	"

-SPECIFICATIONS SUBJECT TO CHANGE WITHOUT NOTICE.

-ALL DATA BASED ON TESTING WITH WATER.