



EV9799-32

SS-IMF Cartridge

Inhibits mineral scale deposits and provides corrosion protection in water-fed equipment*



SS-IMF Cartridge: EV9799-32

BENEFITS

Features Hydroblend™ compound, a unique blend that inhibits mineral scale deposits and provides corrosion protection in low flow water-fed equipment*

Patented design (patent no. 5,580,448) dispenses a controlled amount of Hydroblend™ for long-term protection and provides greater effectiveness than standard phosphate treatments

Translucent cartridge allows simple visual monitoring of product usage and ensures against wasteful premature cartridge replacement

Integral feed cartridge fits Everpure model IMF housings*

SS-IMF fits all old style 8" IMF Housings*

Spacer (EV3114-69) available for adapting SS-IMF to 10" bowl

*Not performance tested or certified by NSF

INSTALLATION TIPS

IMF housing not included.

Install vertically with black O-band seal up

The SS-IMF may have a very tight fit into older style AR-9 heads. To facilitate installation, warm the top of the SS-IMF (with O-band seal still installed) by running it under hot water for 10 seconds and/or applying a small amount of food grade silicone lubricant to the inside of the O-band

Spacer (EV3114-69) available for adapting SS-IMF to 10" bowl

Flushing is not required for ScaleStick® cartridges

OPERATION TIPS

Deliming of equipment prior to application is recommended, but not required

Inspect ScaleStick® cartridges at least every 6 months

Replace ScaleStick® before Hydroblend™ compound is completely dissolved

Pre-existing equipment scale may come loose and clog equipment. Remove any loose scale to assure satisfactory operation

APPLICATION/SIZING

For water-using equipment:

Ice Machines and Ice Applications*

SS-IMF Cartridge

SPECIFICATIONS

Dimensions:

8.31"H x 1.31" Diameter

The SS-IMF Spacer (EV3114-69) may be used to extend the height of the SS-IMF cartridge by approximately 1-3/4" for a better fit into longer bowls.

Service Flow Rate:

0.1 - 6 gpm*

Maximum Temperature:

150°F*

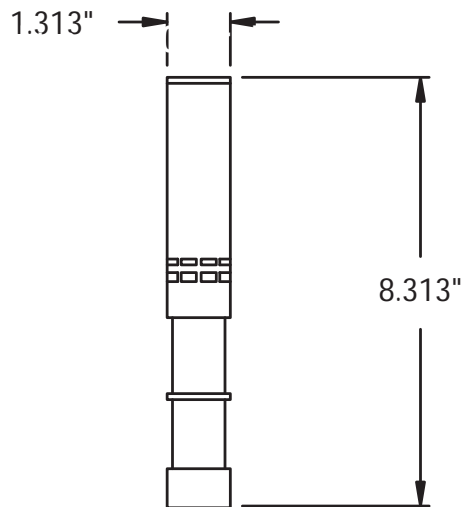
If inlet feed water temperature is above 125°F a hot water housing must be used

Capacity: Approximately 6 months. Capacity will vary depending on application and water usage. On flow rates less than 1 gpm, capacities may be reduced*

*Not performance tested or certified by NSF

The ScaleStick® trademark is used pursuant to an agreement between PWC Enterprises and Everpure, Inc.

The contaminants or other substances removed or reduced by this drinking water system are not necessarily in your water. Do not use with water that is microbiologically unsafe or of unknown quality without adequate disinfection before or after the system.



WARRANTY

Everpure water treatment systems (excluding replaceable elements) are covered by a limited warranty against defects in material and workmanship for a period of five years after date of purchase. Everpure replaceable elements (filter cartridges and water treatment cartridges) are covered by a limited warranty against defects in material and workmanship for a period of one year after date of purchase. See printed warranty for details. Everpure will provide a copy of the warranty upon request.



This SS-IMF is Tested and Certified by NSF International against NSF/ANSI Standard 42 for material requirements only.
COMPONENT

EVERPURE®

Worldwide Headquarters:
EVERPURE, LLC
1040 Muirfield Drive
Hanover Park, Illinois 60133
Toll Free (800) 323-7873
Tel (630) 307-3000
Fax (630) 307-3030
<http://www.everpure.com>

In Europe:
Pentair Water Belgium B.V./B.A.
Industriepark Wolfstee
Toekomstlaan 30
B- 2200 Herentals
BELGIUM
TEL: +32.(0).14.283.500
FAX: +32.(0).14.283.505

In Japan:
Hashimoto MN Bldg. 7F
3-25-1 Hashimoto Sagamihara-Shi
Kanagawa 229-1103
JAPAN
TEL: 81.(0)42.775.3011
FAX: 81.(0)42.775.3015