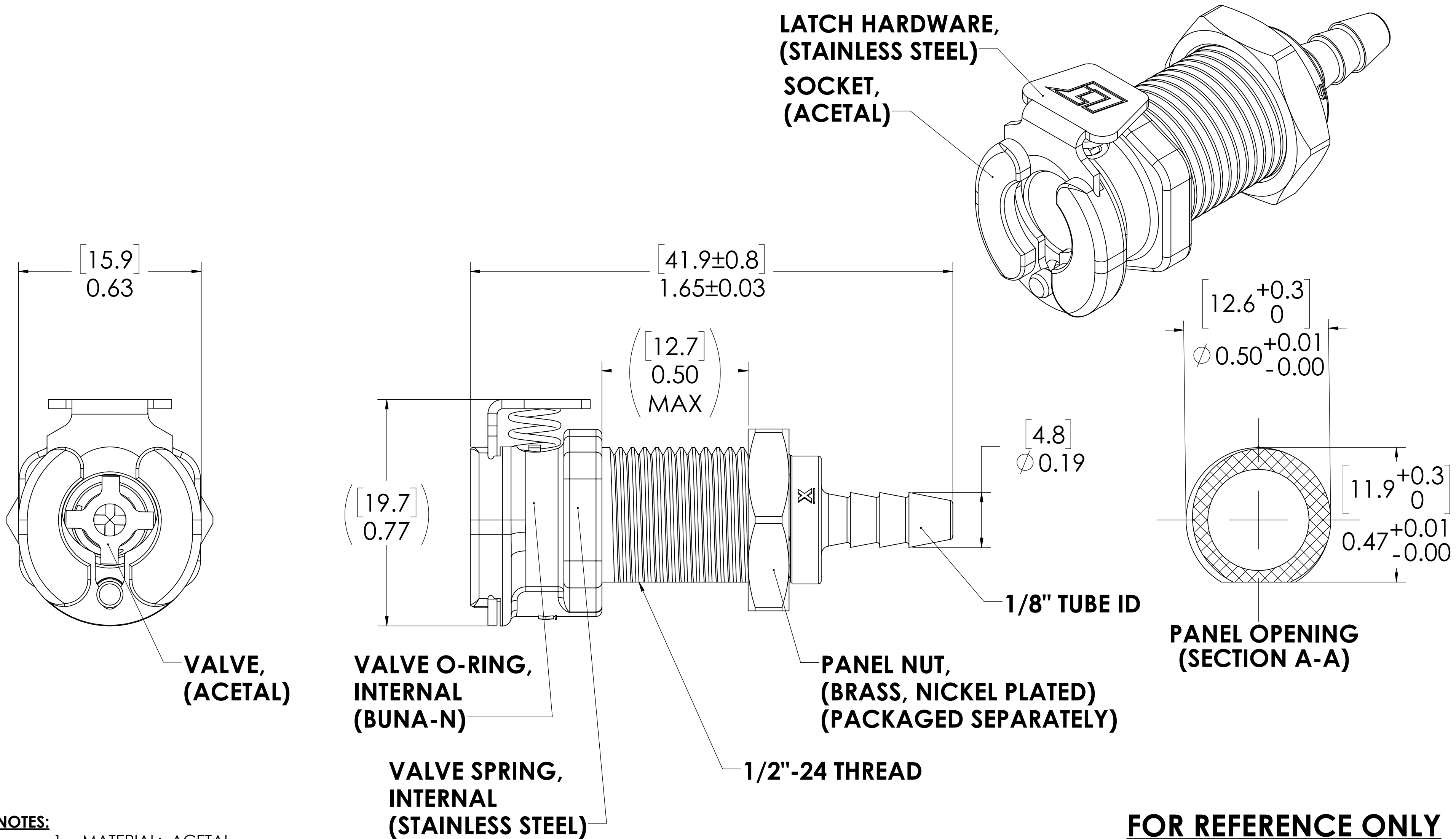


REVISIONS						
SHEET	ZONE	REV.	ECO	DESCRIPTION	DATE	APPROVED
1	ALL	A	50242	PIN, PIN SPRING & 2017 FORMAT UPDATE	4/12/2018	HRC



NOTES:

- MATERIAL: ACETAL
- COLOR: NATURAL WHITE
- O-RING MATERIAL: BUNA-N
- O-RINGS LUBRICATED WITH FOOD GRADE SILICONE OIL, 350 CST.

FOR REFERENCE ONLY

<small>UNLESS OTHERWISE SPECIFIED: DIMENSIONS ARE IN INCHES TOLERANCES: FRACTIONAL \pm 1/32 ANGULAR: MACH \pm 0.5 BEND \pm 2 ONE PLACE DECIMAL \pm 0.1 TWO PLACE DECIMAL \pm 0.01 THREE PLACE DECIMAL \pm 0.005 TWO PLACE DUAL (mm) \pm 0.12</small>	DRAWN	ER	08-14-17	
	CHECKED	HRC	08-14-17	
	ENG APPR.	HRC	4/12/18	
	MFG APPR.	BDB	4/12/18	
<small>PROPRIETARY AND CONFIDENTIAL THE INFORMATION CONTAINED IN THIS DRAWING IS THE SOLE PROPERTY OF LINKTECH LLC. ANY REPRODUCTION OR DISCLOSURE IN PART OR AS A WHOLE WITHOUT THE WRITTEN PERMISSION OF LINKTECH LLC IS STRICTLY PROHIBITED.</small>	PURCHASING	RK	4/12/18	PART NO: 20ACV-SB3-02 DESCRIPTION: LinkTech 20AC Series Panel Mt. Female, Valved, 1/8" HB, Natural Acetal
	COMMENTS:			SIZE DWG. NO. REV C 20AC200314 A
	SCALE: NTS	WEIGHT:	SHEET 1 OF 1	