

Bi-Max 2 Flow Showerhead

FEATURES AND BENEFITS

N2610



White Item # N2610

Bi-Max 2 Flow-Rate Showerhead

Water Savings Without Sacrificing Performance

- Select your savings: Two pressure-compensated flow-rate options, 1.0 GPM/1.5 GPM
- Niagara's patented pressure compensating technology guarantees a consistent flow rate across wide range of pressure
- Easy grip turn-dial for selecting flow rate
- Even, needle spray with a large spray diameter
- Compact, modern design
- Corrosion resistant high-impact ABS thermoplastic body
- Installs easily, by hand and without tools
- Large swivel adjustment
- Limited Lifetime Warranty**



Large POM Swivel Adjustment

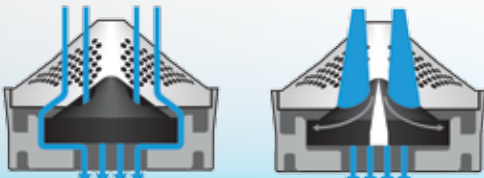


Two Flow Rates

Large Conical Spray Pattern



Constant Output Regardless of Pressure



Low Water Pressure

High Water Pressure

Finishes & Flow Rates

	1.0/1.5 GPM
Chrome	N2610CH
White	N2610

POTENTIAL ANNUAL SAVINGS*

	Water (Gallons)	Electric (kWh)	Gas (therms)	Dollars
Water Savings	13,688			\$110
Energy Savings with Electric Water Heater		2,007		\$267
Energy Savings with Gas Water Heater			69	\$65

*Factors in calculating savings potential:

- 3-person households each using a shower 10 minutes per day, 365 days per year
- Comparing water use with this 1.25 GPM showerhead vs. a standard 2.5 GPM unit
- Water and sewer cost of \$8 per 1,000 gallons
- 8.34 BTUs to raise the temperature of 1 gallon of water 1°
- 500.4 BTUs to raise the temperature of 1 gallon 60° (i.e. 50° to 110°)
- 1 million BTUs = 293 kWh
- Average cost of electricity \$0.133 per kWh (Bureau of Labor Statistics Sept 2012)
- Average cost of gas \$0.953 per therm (Bureau of Labor Statistics Sept 2012)
- On multi-flow rate heads, savings calculated using the avg of available flow rates

Corporate HQ

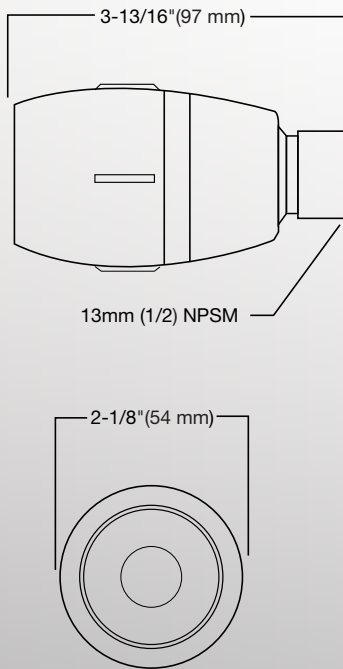
4200 Diplomacy Road
 Fort Worth, TX 76155 USA
 Toll Free: 800.831.8383
 Phone: 817.391.0800 Fax: 817.391.0801
 Email: info@nccgreen.com



Bi-Max 2 Flow Showerhead

SPECIFICATIONS

N2610

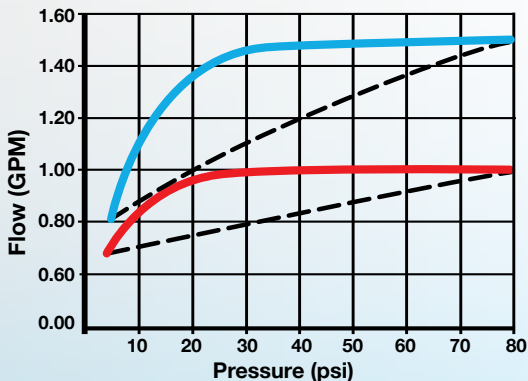


*Dimensions are subject to change

Overall Dimensions	Width 2.125" Height 2.125" Depth 3.8125"
Materials	Corrosion resistant high-impact ABS thermoplastic body; Internal component: ABS and POM plastic and high heat rubber gaskets
Threads	Inlet size: 1/2-14 NPSM female straight pipe thread
Certifications	Meets or exceeds: ASME A112.18.1/CSA B125.1: ASTM B368 WaterSense labeled - Max. Flow Rate: 1.5 GPM Min. Flow Rate at 45 PSI: 1.13 GPM (4.3 LPM)



1.0 /1.5 GPM Flow Rate



1.5 Pressure Compensated Spray

Non-Pressure Compensated Spray

1.0 Pressure Compensated Spray

**WARRANTY FOR SHOWERHEADS PURCHASED AT RETAIL:

Limited Lifetime Warranty for showerheads purchased at retail for as long as the original purchaser owns the product. Niagara will replace any part that, in our opinion has proved defective, provided it has not been abused, misused, altered or damaged after its purchase. For complete product warranty details, call Niagara Conservation at 1-800-831-0800.

WARRANTY FOR SHOWERHEADS OBTAINED THROUGH WHOLESALE, MUNICIPALITIES, UTILITIES OR OTHER COMMERCIAL CHANNELS:

10-year Limited Warranty to the purchaser from the date of purchase. Niagara will replace any part that, in our opinion has proved defective, provided it has not been abused, misused, altered or damaged after its purchase. For complete product warranty details, call Niagara Conservation at 1-800-831-0800.

Corporate HQ

4200 Diplomacy Road
Fort Worth, TX 76155 USA
Toll Free: 800.831.8383
Phone: 817.391.0800 Fax: 817.391.0801
Email: info@nccgreen.com



Bi-Max 2 Flow Showerhead

PACKAGING

N2610

Retail Packaging:

Blistercard Display Packaging



Retail Displaying:
Shipping and Displaying Tray

RETAIL PACKAGING

Item No	RN2610CH
UPC Code	732291000024
Type of Packaging	Blistercard Display Packaging
Pack Quantities	6 Blistercards in Tray and RSC Master Carton
Dimensions Ea. Pkg.	Height 8.5" Width 5.75" Depth 2.5"
Weight Ea. Pkg.	0.32 lbs
I205 Master	10732291000021
Dimensions of Master	Height 7.25" Width 16.5" Depth 8.875"
Weight of Master	3.5 lbs

Bulk Packaging:

Bubblewrap Bag



BULK PACKAGING

Item No	N2610CH, N2610
UPC Code	N2610CH 732291000024 Chrome N2610 732291261012 Needle
Type of Packaging	Kraft Corrugated
Pack Quantities	100 Per Carton
Dimensions of Master	Height 12.75" Width 12" Depth 23"
Weight of Master	28.8 lbs

Corporate HQ

4200 Diplomacy Road
Fort Worth, TX 76155 USA
Toll Free: 800.831.8383
Phone: 817.391.0800 Fax: 817.391.0801
Email: info@nccgreen.com

