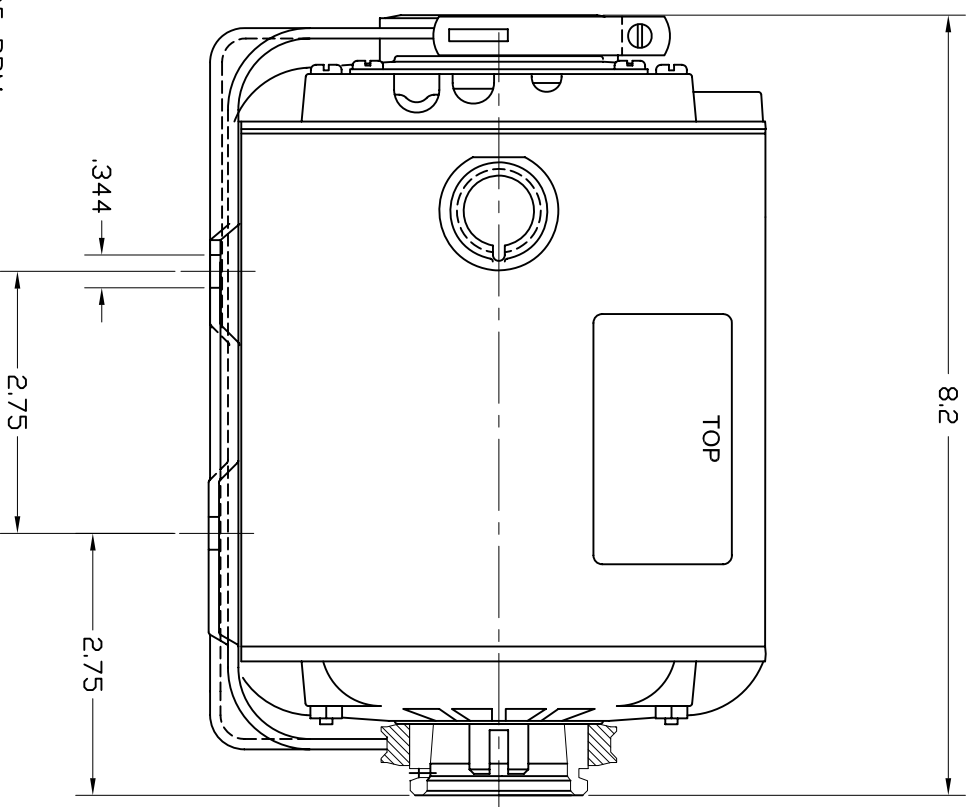
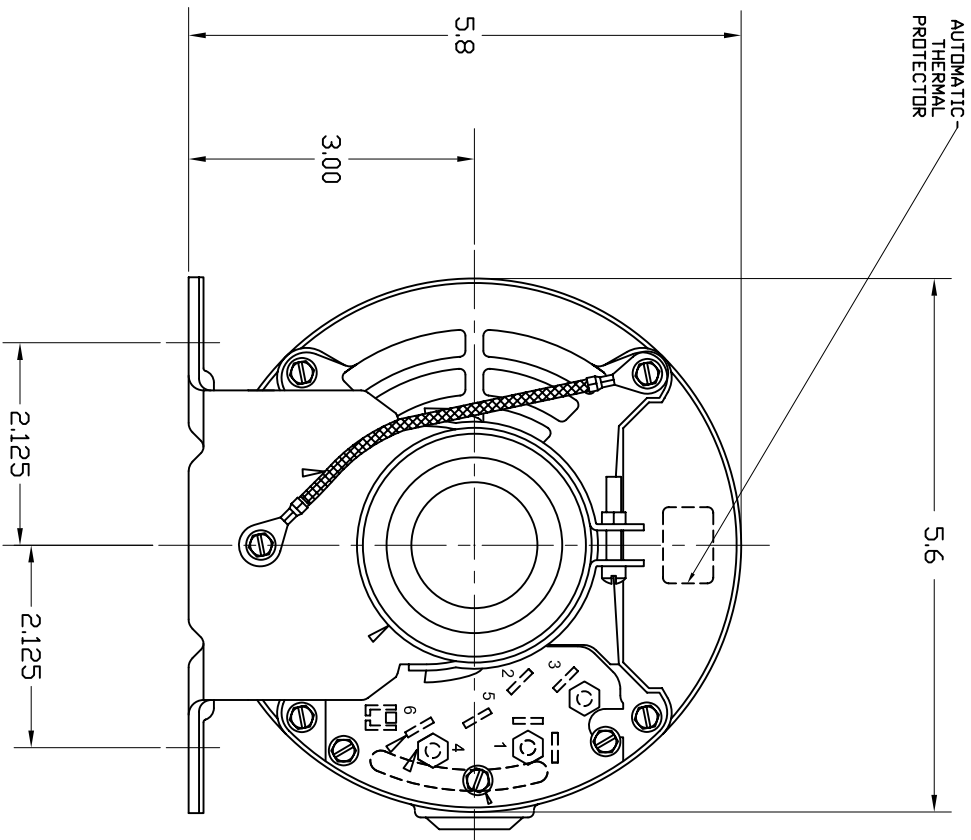


828 motor



- SPEED: 1725 RPM
- HORSEPOWER: 1/3 HP
- SERVICE FACTOR: 1.0
- TYPE: SPLIT PHASE
- CYCLE: 60/50 HZ.
- VOLTS: 100-120/200-240
- AMPS: 6.5/3.0
- FRAME: 48Y
- ENCLOSURE: DRIPPROOF
- OVERLOAD PROT.: AUTO PROTECTED
- INSULATION: CLASS B

869 Seven Oaks Blvd
 Suite 120
 Smyrna, TN 37167
 615-355-8000
 mail@proconpump.com

Disclaimer:

Dimensions are subject to change without notice and will vary slightly depending on the motor vendor selected for your order

