



T&S BRASS AND BRONZE WORKS, INC.

2 Saddleback Cove / P.O. Box 1088
Travelers Rest, SC 29690

Model No.

B-1125-LN

Item No.

Travelers Rest, SC: 800-476-4103 • Simi Valley, CA: 800-423-0150 • Fax: 864-834-3518 • www.tsbrass.com

This Space for Architect/Engineer Approval

Job Name _____ Date _____

Model Specified _____ Quantity _____

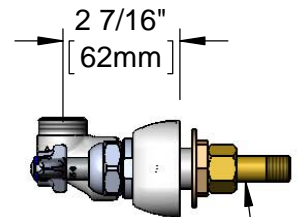
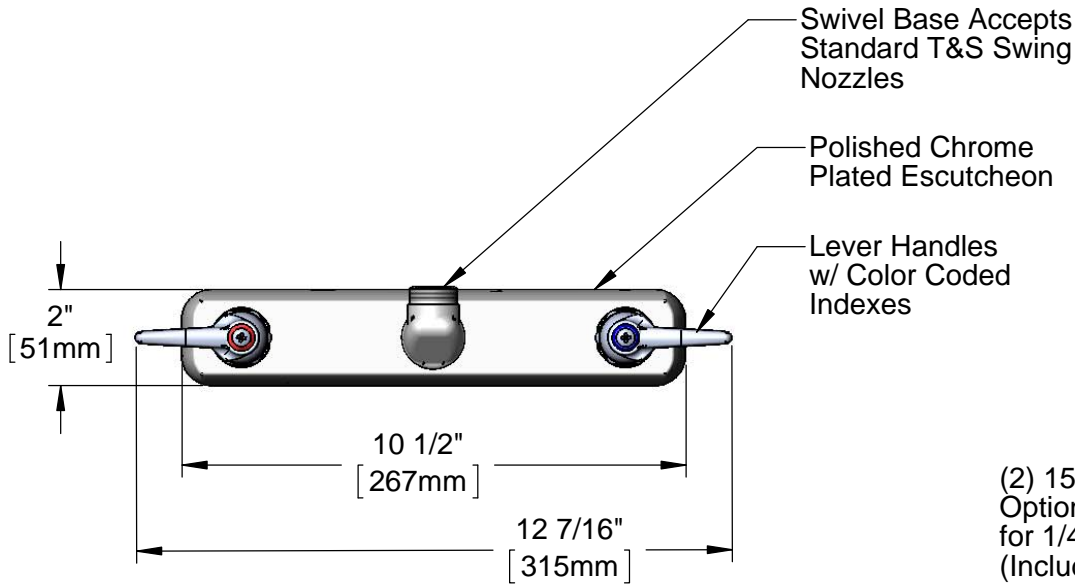
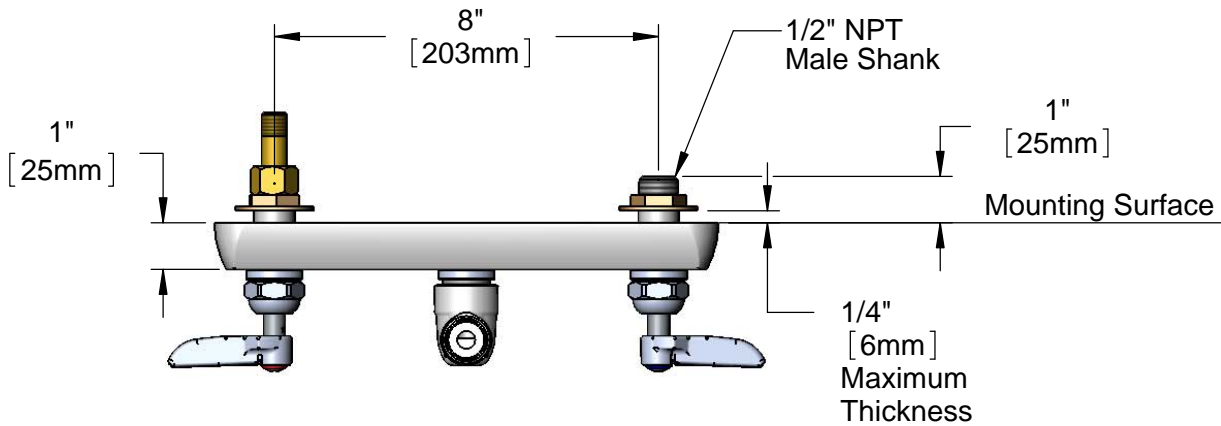
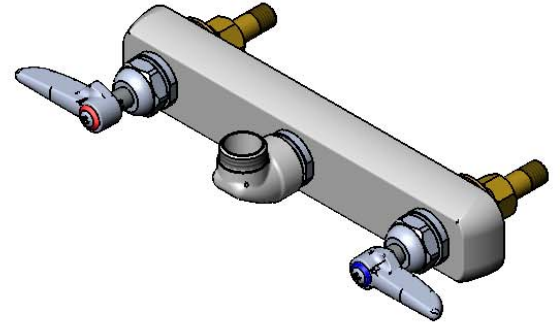
Customer/Wholesaler _____

Contractor _____

Architect/Engineer _____



ADA Compliant



(2) 150A
Optional Tailpiece and Nut
for 1/4" NPT Connection
(Included)

Rough-In Requirement:
(2) ϕ 1" [25mm] Mounting Holes

Product Specifications:
8" Wall Mount Workboard Faucet Less Nozzle
w/ Lever Handles & 1/2" NPT Male Shanks

Drawn

KJG

Checked

JRM

Approved

JHB

Scale:

1:4

Date:

07/20/12



T&S BRASS AND BRONZE WORKS, INC.

2 Saddleback Cove / P.O. Box 1088
Travelers Rest, SC 29690

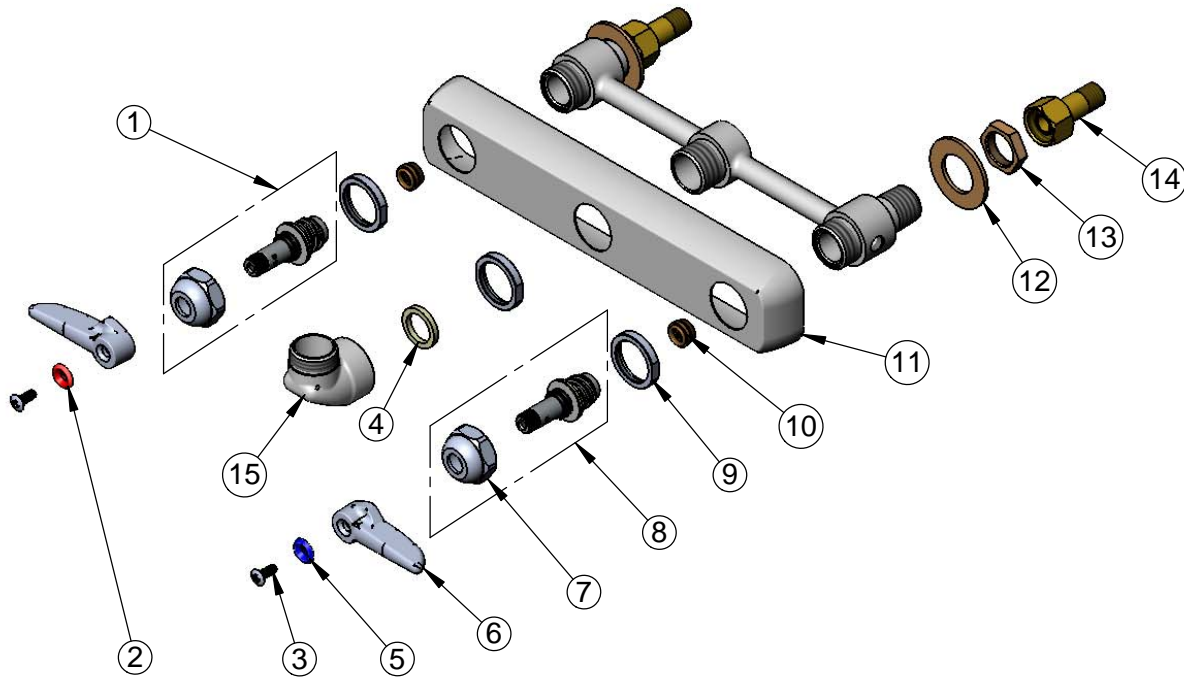
Model No.

B-1125-LN

Item No.

Travelers Rest, SC: 800-476-4103 • Simi Valley, CA: 800-423-0150 • Fax: 864-834-3518 • www.tsbrass.com

ITEM NO.	SALES NO.	DESCRIPTION
1	009754-25	B-1100 Spindle Assembly, (LTC)
2	001661-45	Red Index-HW
3	000922-45	Lever Handle Screw
4	001017-45	Washer
5	001660-45	Blue Index-CW
6	001638-45	Lever Handle
7	009749-25	Bonnet Nut
8	009753-25	B-1100 Spindle Assembly, (RTC)
9	000712-25	Escutcheon Lock Nut
10	000763-20	Seat
11	001259-40	Escutcheon
12	000999-45	Brass Lock Washer
13	002954-45	Shank Lock Nut
14	150A	1/4" NPT Tailpiece & Nut
15	000082-40	B-1100 Knob



Product Specifications:
8" Wall Mount Workboard Faucet Less Nozzle
w/ Lever Handles & 1/2" NPT Male Shanks

Drawn

KJG

Checked

JRM

Approved

JHB

Scale:

NTS

Date:

07/20/12