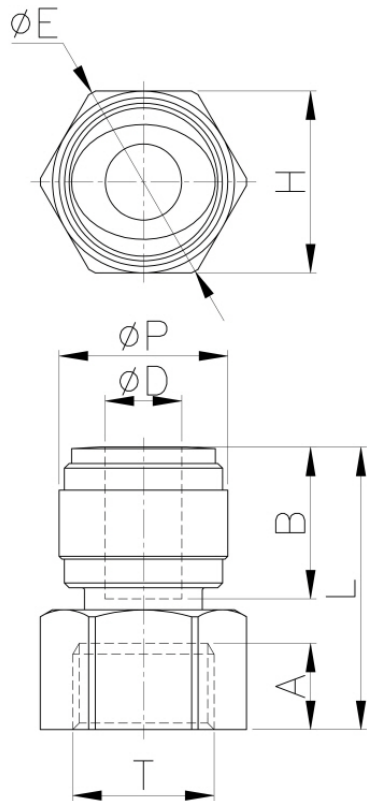


Female Adapter (BSPP)

Pressure Ratings			
	< 5/16"	3/8"	1/2"
33 °F	290 psi	232 psi	203 psi
68 °F	290 psi	232 psi	203 psi
150 °F	232 psi	203 psi	116 psi

Torque Allowance					
Thread Size	1/8"	1/4"	3/8"	1/2"	3/4"
Max Torque	1.1 ft lbs	1.1 ft lbs	2.2 ft lbs	2.2 ft lbs	2.9 ft lbs



Model	ØD	ØP	T(BSPP)	L	A	B	H(Hex)	ØE	WEIGHT(g)
AFAC4M-G1	04	17.6	1/8	26.9	6	14.7	17	19.2	6.6
AFAC6M-G1	06	17.6	1/8	27.1	6	16.1	17	19.2	6.1
AFAC6M-G2	06	17.6	1/4	29.1	8.5	16.1	19	21.5	7
AFAC6M-G3	06	15.0	3/8	29.6	9	16.1	24	27.3	8.9
AFAC6M-G6	06	15.5	3/4	34.2	7	16.1	36.7	41.6	37.6
AFAC8M-G1	08	17.6	1/8	27.5	6	17.5	17	19.2	6
AFAC8M-G2	08	17.6	1/4	29.5	8.5	17.5	19	21.5	6.7
AFAC8M-G3	08	17.6	3/8	31	9	17.5	24	27.3	9.7
AFAC8M-G4	08	20.0	1/2	38	12.5	17.5	27	30	13.8
AFAC8M-G6	08	20.0	3/4	36.6	7	17.5	36.7	41.6	39.2
AFAC10M-G2	10	23.0	1/4	34.5	8.5	20.1	19	21.5	10.8
AFAC10M-G3	10	23.0	3/8	37	9	20.1	24	27.3	13.7
AFAC10M-G4	10	20.0	1/2	38.3	12.5	20.1	27	30	13.3
AFAC10M-G5	10	20.0	5/8	38.1	13.5	20.1	29	32	14.8
AFAC10M-G6	10	20.0	3/4	36.9	7	20.1	36.7	41.6	38.6
AFAC12M-G2	12	23.0	1/4	35.2	8.5	24.7	19	21.5	10.3
AFAC12M-G3	12	23.0	3/8	37.7	9	24.7	24	27.3	13
AFAC12M-G4	12	23.0	1/2	41.7	12.5	24.7	27	30	15.4
AFAC15M-G4	15	28.0	1/2	46.2	12.5	29.4	27	30	20.1
AFAC15M-G6	15	28.0	3/4	45.4	7	29.4	33	37	25.1