

# 7FOS Series

Universal Multi-Cartridge Filter Housings



- Designed for industrial and commercial filtration needs
- Heavy-duty 304L or 316L stainless steel construction for maximum durability and corrosion resistance
- V-band clamp or swing bolt closures for quick and easy cartridge change outs and secure sealing
- Holds seven cartridges between 10" to 40" lengths for optimal choice of flow rates
- Universal seats accept DOE and 222 style cartridges (226 cartridge connectors are optional)
- Knife edge seals eliminate bypass on DOE cartridges
- Adjustable top plate accepts variable length cartridges
- Stainless steel mounting legs
- Wide range of options to meet specific filtration and installation requirements

## Applications

Water	Desalination
Chemicals	Food & Beverage
Electronics	Oil / Gas
Power	Inks / Paints / Coatings
Coolants	Pulp & Paper

## Specifications & Operating Parameters

### Maximum Operating Pressure

150 psig (10.3 bar) @ 300°F (149°C)

### Inlet and Outlet Connections

Inlet /Outlet: 2" MNPT

Drain Ports: 1/2" FNPT

Vent Ports: 1/4" FNPT

*Optional: MNPT, FNPT and BSP fittings,  
RF flanges, Sanitary ferrules and Grooved fittings*

### Materials of Construction

Head and Shell: 304L or 316L Stainless Steel

Connections: 304L or 316L Stainless Steel

Closure: Clamp: 304L Stainless steel

Swing Bolts: Zinc Plated Steel

Vent and Drain Plugs: 304L or 316L Stainless Steel

Mounting Legs: 304L Stainless Steel

### Gaskets

Buna N (FDA Grade)

*Optional: EPR, Silicone, Viton or Teflon  
Encapsulated Silicone*

### Finish

Poly-coat on exterior surfaces

*Optional: Electro-polish, Glass bead or Passivate*

### Cartridge Type

DOE or 222 cartridges (maximum 2 3/4" OD)

*Optional: 226 adapters*

### Custom Options

- Gauge Ports or Gauge Ports with Pressure Gauges

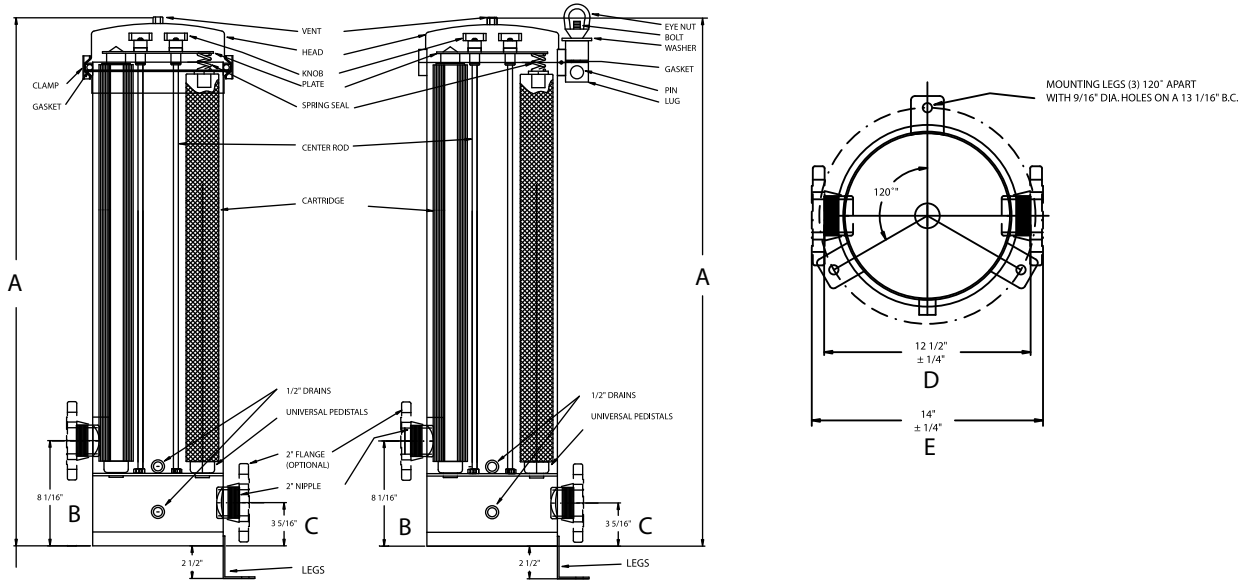
- Heavy Duty Mounting Legs

*See Ordering Guide for complete selection of options*

MODEL	QUANTITY (LENGTH) OF CARTRIDGES +	RATED FLOW CAPACITY* GPM(LPM)	INLET / OUTLET (PIPE SIZE)	MAXIMUM DIAMETER CARTRIDGE	CLAMP STYLE	SWING BOLT STYLE				
					A	A	B	C	D	E
7FOS1	7 (10")	49 (185.5)	2"	2 3/4"	20 1/2" (52.1 cm)	21" (53.3 cm)	8 1/16" (20.48 cm)	3 5/16" (8.41 cm)	12 1/2" (31.75 cm)	14" (35.56 cm)
7FOS2	7 (20")	98 (371.10)	2"	2 3/4"	30 1/2" (77.5 cm)	40 1/2" (102.9 cm)	8 1/16" (20.48 cm)	3 5/16" (8.41 cm)	12 1/2" (31.75 cm)	14" (35.56 cm)
7FOS3	7 (30")	157 (594.3)	2"	2 3/4"	49 1/2" (125.7 cm)	50 1/2" (15.4 cm)	8 1/16" (20.48 cm)	3 5/16" (8.41 cm)	12 1/2" (31.75 cm)	14" (35.56 cm)
7FOS4	7 (40")	196 (741.9)	2"	2 3/4"	59 1/2" (151.1 cm)	60 1/2" (153.7 cm)	8 1/16" (20.48 cm)	3 5/16" (8.41 cm)	12 1/2" (31.75 cm)	14" (35.56 cm)

+ Housings will accept cartridge lengths: 10" = (9 3/4" or 10"), 20" = (19 1/2" or 20"), 30" = (29 1/4" or 30") and 40" = (39" or 40")  
 \* Based upon 7 gpm per 10" length with a 25 micron wound cartridge at 2 PSID clean and viscosity of 1 cps. Flow rates are for guidelines only. Actual flow rates are based on fluid, viscosity, cartridge type, micron ratings and other factors.

### Dimensions



### Ordering Guide (Example: 7FOS3-C-316-226-2-MNPT-ML-B)

7FOS	3	C	- 316	- 226	- 2	MNPT	- ML	- B
MODEL	LENGTH OF CARTRIDGES	CLOSURE STYLE	MATERIAL	CARTRIDGE CONFIGURATION	CONNECTION SIZE	CONNECTION TYPE	OPTIONS	GASKET
7FOS	1 = 1 High 2 = 2 High 3 = 3 High 4 = 4 High	C = Clamp SB = Swing Bolt	304 = 304L 316 = 316L	Blank = Universal Pedestal for DOE and 222 Fin/Flat Style Cartridges (Standard) 226 = 226 Fin/Flat Style Cartridge	2 (standard) 1.5 3	MNPT = Male Pipe Thread (standard) FMPT = Female Couplings BSPT = BSP Tapered * BSPP = BSP Parallel * F = Flange TC = Ferrules GF = Grooved Fittings	ML = Mounting Legs (standard) OL = Heavy Duty Legs GP = Gauge Ports GPA = Gauge ports with Gauges EP = Electropolished GB = Glass Bead P = Passivate	B = Buna N (standard) E = EPR S = Silicone V = Viton TS = Teflon Encapsulated Silicone

\* BSPT and BSPP are all available in 2" MALE connections only.

### Customization

Housings may be customized to meet your precise requirements. Contact Shelco's technical support staff or your distributor for more information.



### Shelco Filters

100 Bradley Street  
 Middletown, CT 06457 USA

Tel: 800-543-5843 / Fax: 860-854-6120 / E-mail: info@shelco.com

MicroSentry™, MicroVantage™, Shelco Filters® and the Shelco logo are registered trademarks of the Tinny Corporation. Shelco Filters is a division of the Tinny Corporation.