

OptiPure

Model: **QTSFT-1**
Part #: 160-52017

Snapshot

The QTSFT-1 is a single-cartridge water treatment system with a 15" Qwik-Twist cartridge. It utilizes ion-exchange resin to remove hardness minerals eliminating lime-scale deposits. The system takes out dirt and sediment down to 10-microns.

System Benefits

- Takes out hardness minerals that form damaging scale (lime-scale).
- Improves quality and consistency of cold and hot beverages.
- Reduces maintenance frequency and cost, and extends equipment life.
- Reduces dirt, rust and other debris as small as 10-microns.
- Sturdy mounting bracket and full-flow inlet shut-off valve simplify installation.
- Inlet shut-off valve makes filter replacement quick and simple.
- Utilizes Qwik-Twist cartridges that make changing filters quick, easy and sanitary.



ITEM #: _____ QTY: _____
JOB NAME/NUMBER _____

Application

ESPRESSO MACHINES

TEA BREWERS

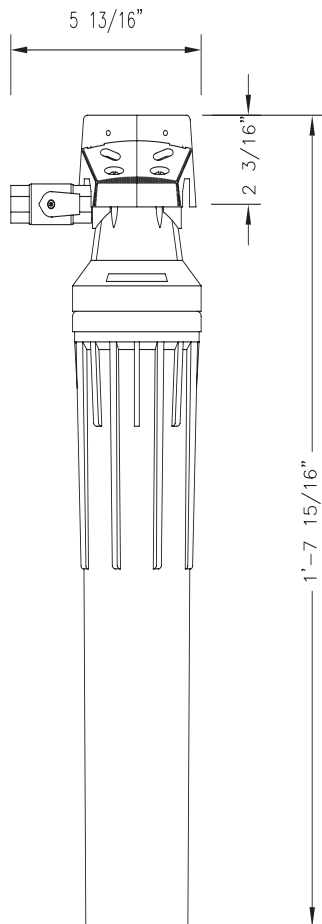
BUN WARMERS AND SMALL TABLE-TOP STEAMERS

Installation Tips

- Feed-water connection to system should be COLD only.
- Do not exceed system specifications for temperature and pressure.
- Allow 3" clearance below system for filter cartridge removal and replacement.
- Detailed installation, operation and maintenance manual included with each system.
- Flush system at a low flow rate for 5 minutes or until water runs clear.



Model: **QTSFT-1**
Part #: 160-52017



WARNING:
Cancer and Reproductive Harm -
www.P65Warnings.ca.gov.

► Specifications

System	
Dimensions (Height x Width x Depth, Inches)	19.9"h x 5.8"w x 4"d
Connection - Inlet & Outlet	3/8" FNPT
Operating Pressure Range	10 - 125 psi (0.7 - 8.6 bar)
Inlet Water Temperature Range	35° - 100° F (2° - 38° C)
Shipping Weight	5 lbs.
Performance	
Service Flow Rate	0.5 gpm (1.9 lpm)
Sediment Reduction	10 microns (nominal)
Hardness Removal	1,800 grains

► Replacement Cartridge(s)

Model	Part Number	Qty
SFT-Q	300-05890	2

► Options

Model	Description	Part Number
Flush Valve Kit	QT Flush Valve Kit	160-529112

It is recommended that pre/post-filters and mineral addition cartridges are changed every 6 months, when capacity is reached or when feedwater pressure or flow becomes inadequate.

Membrane life varies depending on feedwater conditions and pre-filter maintenance. It is 12-18 months under typical conditions, but it can be as long as 3-5 years.

This product is for commercial use only and must be installed and maintained according to manufacturer's guidelines.

Do not use on water that is microbiologically unsafe or of unknown quality without adequate disinfection before or after the system.

► Warranty

All system components and assembly except for filter cartridges, separation membranes, permeate pumps, electric motors, diaphragm pumps, and rotary vane pumps shall be warranted against defects in workmanship for a period of 60 months from the date of original shipment. For complete warranty information, contact OptiPure customer service or go to www.optipurewater.com.

Dealer/Distributor Info:

OptiPure, A Division of Aquion, Inc.

101 S. Gary Ave., Suite A
Roselle, IL 60172

p: 972.881.9797 e: info@optipure.net
www.optipurewater.com