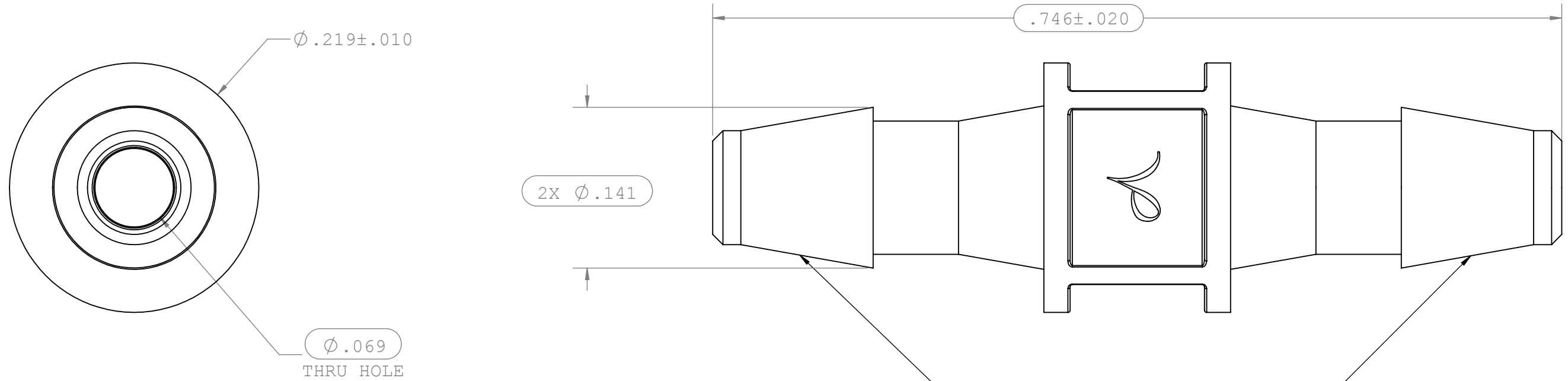


NOTES: FOR ADDITIONAL DETAILS, PLEASE CONTACT VP CUSTOMER SERVICE  
 DIMENSIONS MARKED  $\phi$  ARE CONTROL DIMENSIONS

REVISIONS			
REV.	DESCRIPTION	DATE	APPROVED
A	INITIAL RELEASE	02-11-97	
B	CO 039 Drafting Update	05-08-06	Rick C.
C	ECO 221: Add Flat Grip	1-7-14	S.N.R



INSTRUMENT QUALITY PART.  
 NO PARTING LINES PERMITTED  
 ON THIS SEALING SURFACE.

UNLESS OTHERWISE SPECIFIED DIMENSIONS ARE IN INCHES TOLERANCES ARE:		<b>VALUE PLASTICS, INC</b>			
FRACTIONS    DECIMAL    ANGULAR ±            .XX ±.01            ± 1° .XXX ±.005 .XXXX ±.001		PART NUMBER: N220			
DO NOT SCALE DRAWING		DESCRIPTION: Straight Through Tube Fitting with 200 Series Barbs, 3/32" (2.4 mm) ID Tubing			
DRAWN BY: Marcus Kincaid	DATE: 1/7/2014	SIZE: <b>B</b>	SCALE: NTS	VER: 	DWG. NO.    REV 1008149    C
MANAGER: Rick C.		© 2012 VALUE PLASTICS, INC			SHEET: 1 OF 1

**FOR REFERENCE ONLY**