



T&S BRASS AND BRONZE WORKS, INC.

2 Saddleback Cove / P.O. Box 1088
Travelers Rest, SC 29690

Model No.

B-1121

Item No.

Travelers Rest, SC: 800-476-4103 • Simi Valley, CA: 800-423-0150 • Fax: 864-834-3518 • www.tsbrass.com



ADA Compliant

This Space for Architect/Engineer Approval

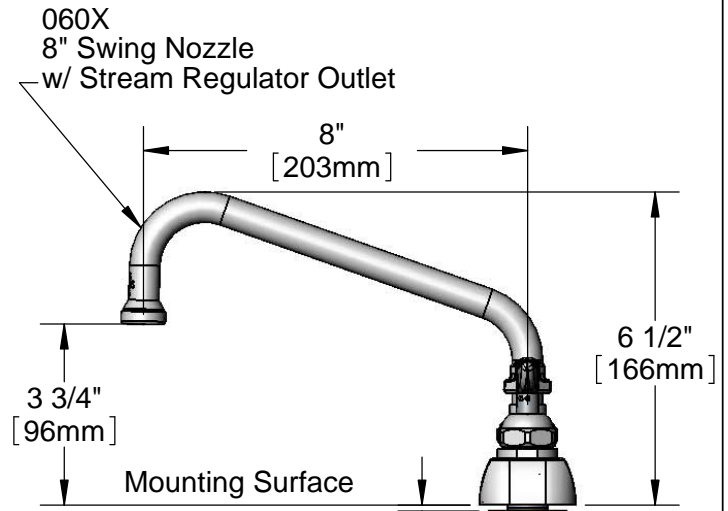
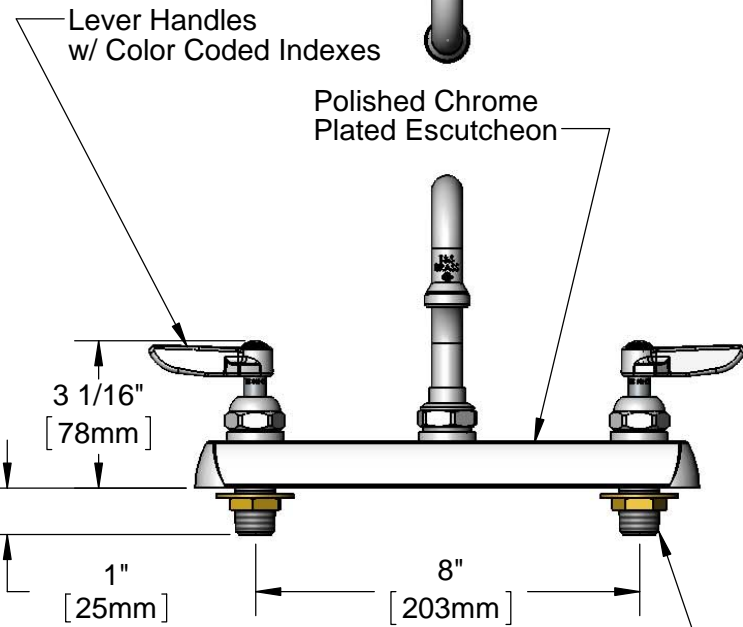
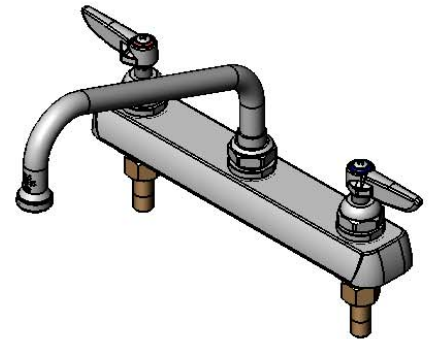
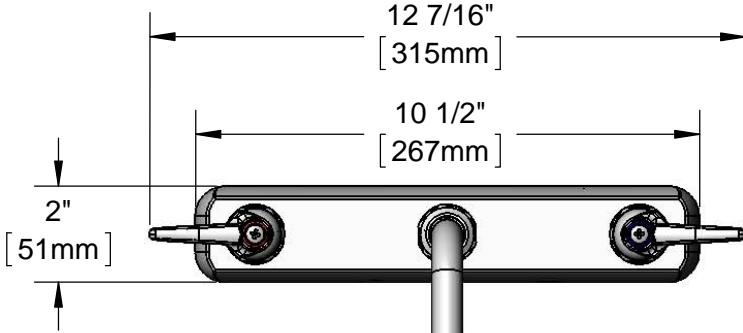
Job Name _____ Date _____

Model Specified _____ Quantity _____

Customer/Wholesaler _____

Contractor _____

Architect/Engineer _____



Rough-In Requirement:
(2) ϕ 1" [25mm] Mounting Holes

1/2" NPT
Male Inlets

1/8"
[3mm]
Maximum
Thickness

(2)150A
Optional Tailpiece & Nut
For 1/4" NPT Connection
(Included)

Product Specifications:

8"Deck Mount Workboard Faucet, Lever Handles,
8" Swing Nozzle w/ Stream Regulator Outlet & 1/2" NPT Male Inlets

Drawn

DHL

Checked

DMH

Approved

JHB

Scale:

1:4

Date:

02/11/13

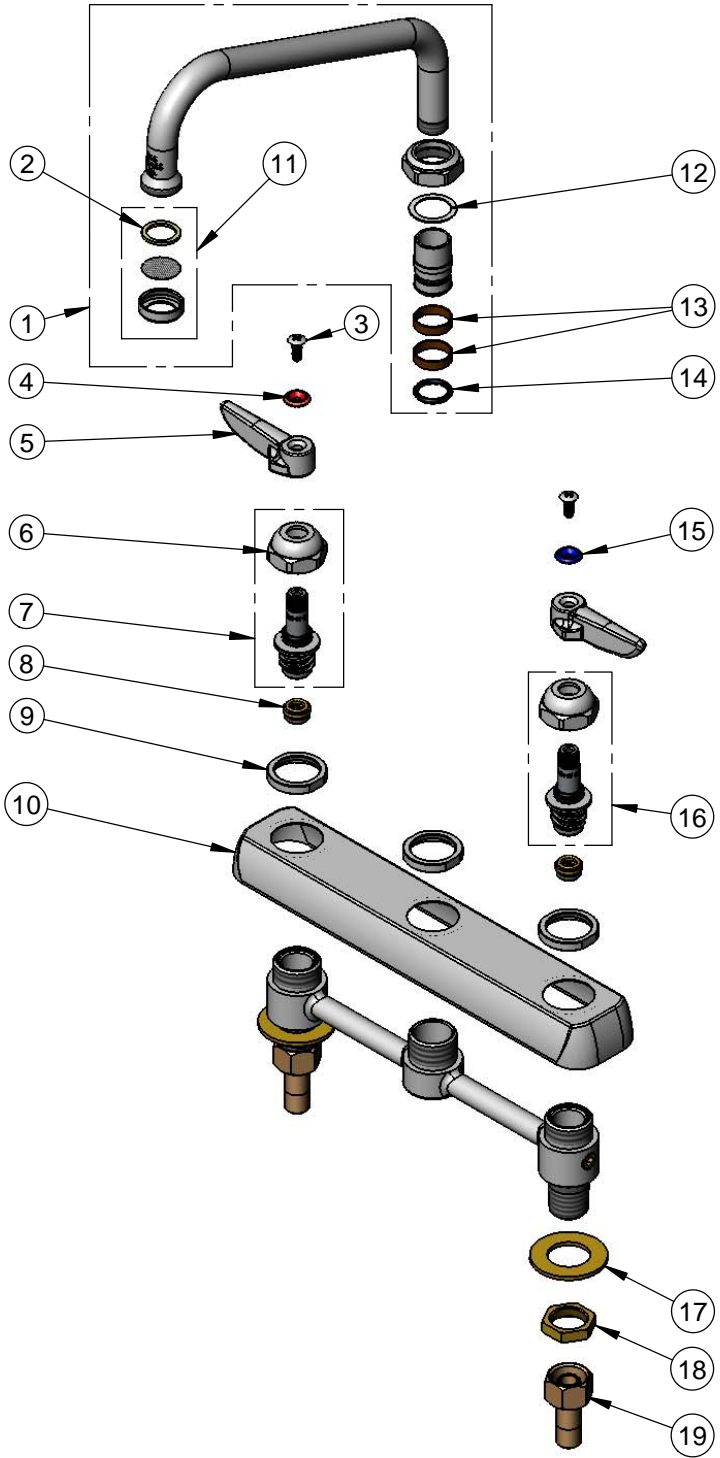


T&S BRASS AND BRONZE WORKS, INC.
 2 Saddleback Cove / P.O. Box 1088
 Travelers Rest, SC 29690

Model No.
B-1121

Item No.

Travelers Rest, SC: 800-476-4103 • Simi Valley, CA: 800-423-0150 • Fax: 864-834-3518 • www.tsbrass.com



ITEM NO.	SALES NO.	DESCRIPTION
1	060X	8" Swivel Nozzle w/ B-PT Stream Regulator Outlet
2	001048-45	Nozzle Tip Washer
3	000922-45	Lever Handle Screw
4	001661-45	Red Index-HW
5	001638-45	Lever Handle
6	009749-25	Bonnet Nut
7	009753-25	B-1100 Spindle Assembly, RTC
8	000763-20	Seat
9	000712-25	Escutcheon Lock Nut
10	001259-40	Escutcheon
11	B-PT	Stream Regulator Outlet
12	009538-45	Swivel Washer
13	011429-45	Swivel Sleeves (2)
14	001074-45	O-Ring
15	001660-45	Blue Index-CW
16	009754-25	B-1100 Spindle Assembly, LTC
17	000999-45	Brass Lock Washer
18	002954-45	Shank Lock Nut
19	150A	1/4" NPT Tailpiece & Nut

Product Specifications:
 8" Deck Mount Workboard Faucet, Lever Handles,
 8" Swing Nozzle w/ Stream Regulator Outlet & 1/2" NPT Male Inlets

Drawn DHL	Checked DMH	Approved JHB
Scale: NTS		Date: 02/11/13