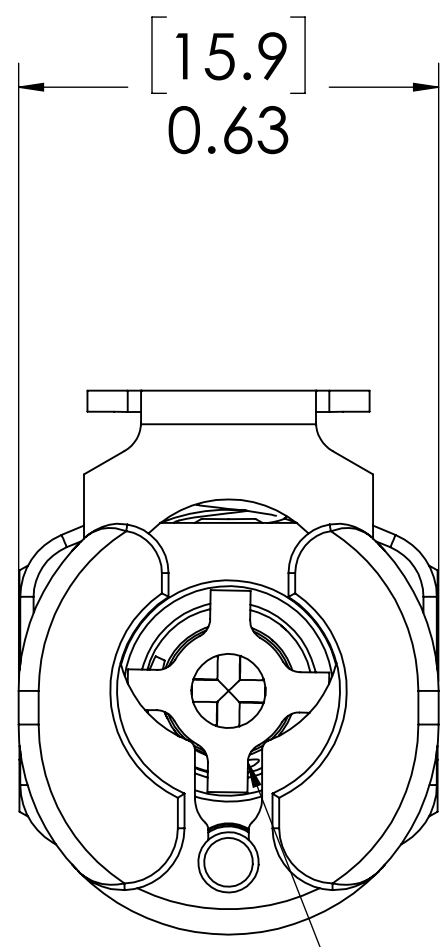
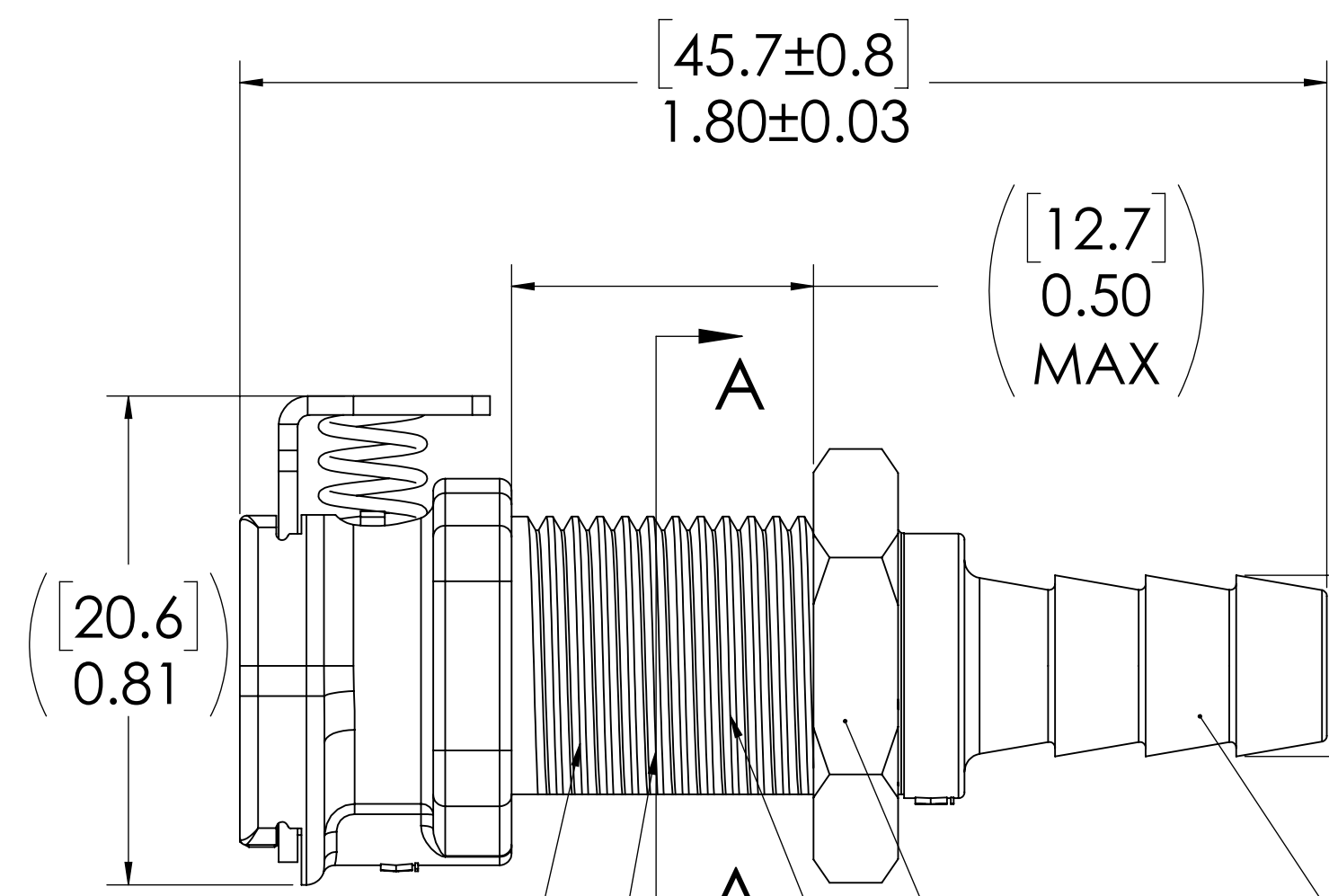


REVISIONS						
SHEET	ZONE	REV.	ECO	DESCRIPTION	DATE	APPROVED
1	ALL	A	50242	UPDATE DWG TO CURRENT FORMAT & STANDARDS	7/24/2018	HRC



**VALVE,
(ACETAL)**

[15.9]
0.63



**VALVE O-RING,
INTERNAL
(BUNA-N)**

**VALVE SPRING,
INTERNAL
(STAINLESS STEEL)**

[45.7±0.8]
1.80±0.03

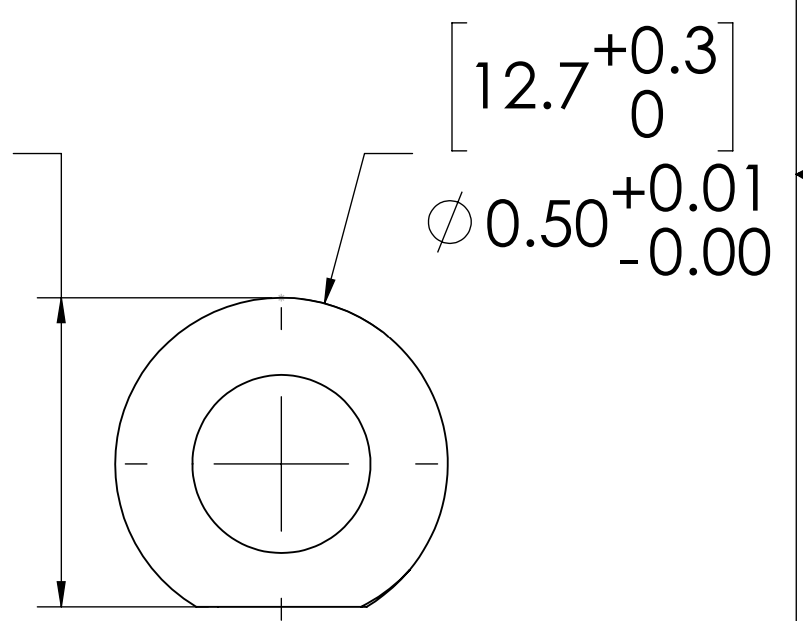
([12.7]
0.50
MAX)

([20.6]
0.81)

[11.9^{+0.3}]
0
0.47^{+0.01}
-0.00

[7.6]
∅ 0.30

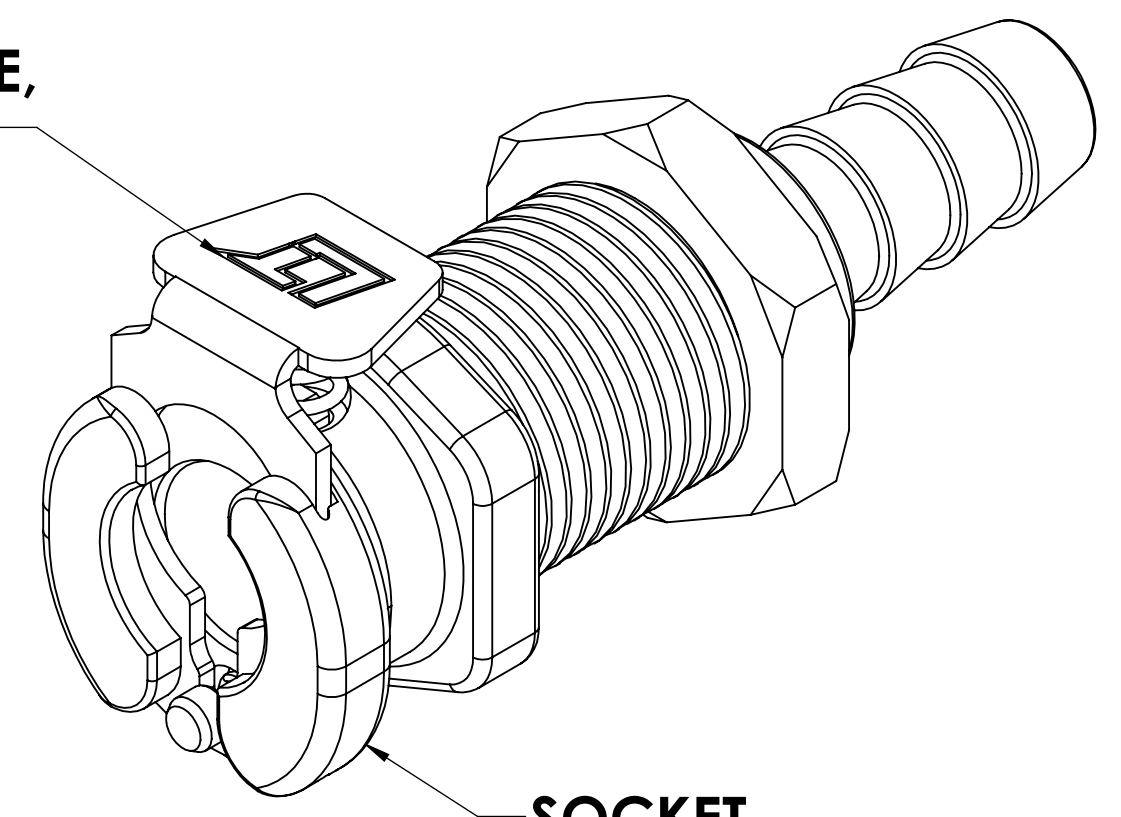
1/4" TUBE ID



**PANEL OPENING
(SECTION A-A)**

[12.7^{+0.3}]
0
∅ 0.50^{+0.01}
-0.00

**LATCH HARDWARE,
(STAINLESS STEEL)**



**SOCKET,
(ACETAL)**

**PANEL NUT,
(BRASS, NICKEL PLATED)
(PACKAGED SEPARATELY)**

1/2"-24 THREAD

FOR REFERENCE ONLY

NOTES:

- MATERIAL: ACETAL
- COLOR: NATURAL WHITE
- O-RING MATERIAL: BUNA-N
- O-RINGS LUBRICATED WITH FOOD GRADE SILICONE OIL, 350 CST.

<small>UNLESS OTHERWISE SPECIFIED: DIMENSIONS ARE IN INCHES TOLERANCES: FRACTIONAL ±1/32 ANGULAR, MACH ±0.5 BEND ±2 ONE PLACE DECIMAL ±0.1 TWO PLACE DECIMAL ±0.01 THREE PLACE DECIMAL ±0.005 TWO PLACE DUAL (mm) [±0.12]</small>	DRAWN	ER	09-20-17	
	CHECKED	HRC	09-20-17	
	ENG APPR.	HRC	7/24/18	
	MFG APPR.	BDB	7/24/18	
PRODUCTION	LS	7/24/18	COMMENTS:	PART NO: 20ACV-SB3-04 DESCRIPTION: LinkTech 20AC Series Panel Mt. Female, Valved, 1/4" HB, Natural Acetal
<small>THE INFORMATION CONTAINED IN THIS DRAWING IS THE SOLE PROPERTY OF LINKTECH LLC. ANY REPRODUCTION OR DISCLOSURE IN PART OR AS A WHOLE WITHOUT THE WRITTEN PERMISSION OF LINKTECH LLC IS STRICTLY PROHIBITED.</small>		SIZE DWG. NO. REV C 20AC200329 A	SCALE: NTS WEIGHT: SHEET 1 OF 1	