



# T&S BRASS AND BRONZE WORKS, INC.

2 Saddleback Cove / P.O. Box 1088  
Travelers Rest, SC 29690



REG. #A2601  
ISO #9001

Model No.  
**B-0892-01**

Item No.

Travelers Rest, SC: 800-476-4103 Simi Valley, CA: 800-423-0150 Fax: 864-834-3518 www.tsbrass.com

This Space for Architect/Engineer Approval

Job Name \_\_\_\_\_ Date \_\_\_\_\_

Model Specified \_\_\_\_\_ Quantity \_\_\_\_\_

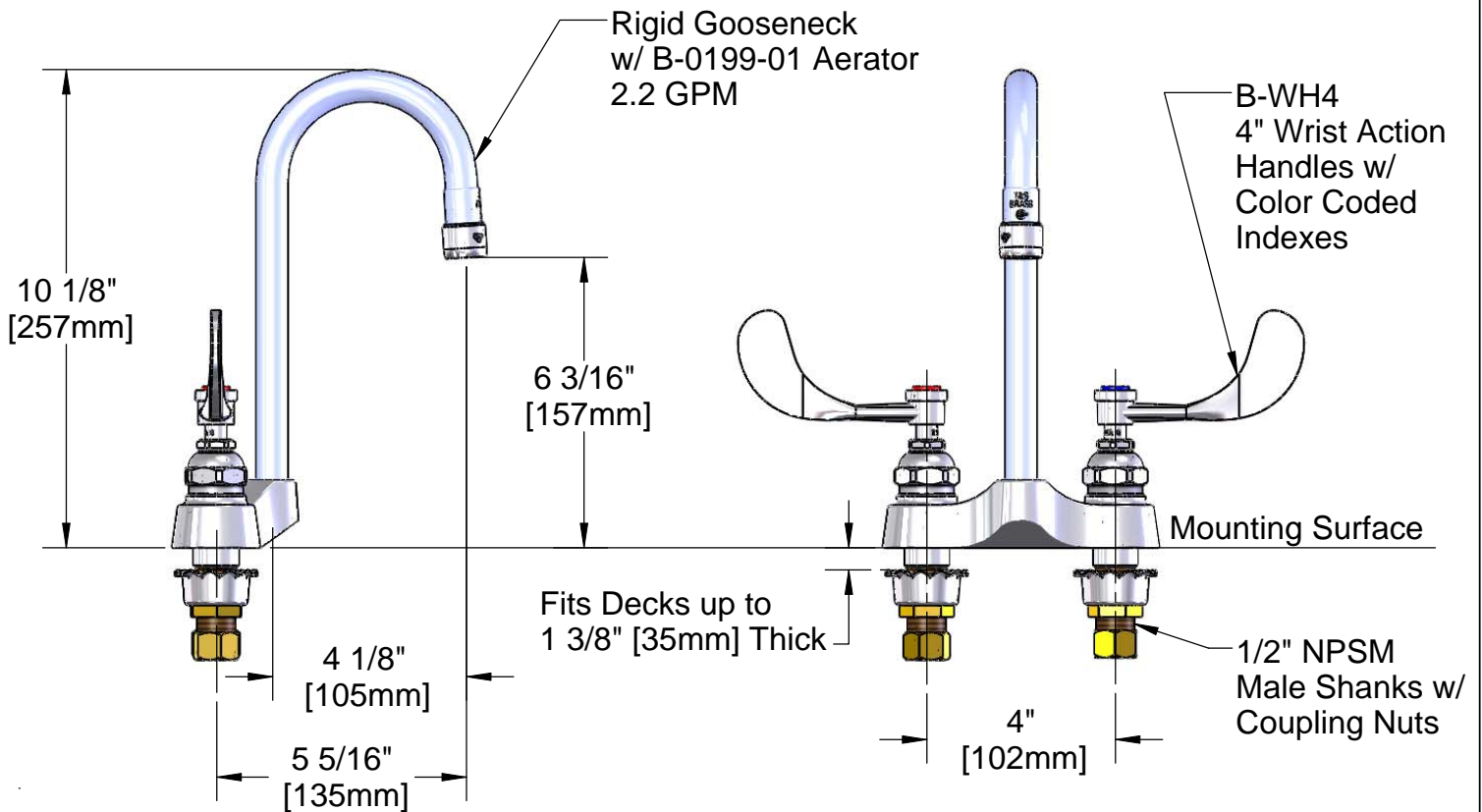
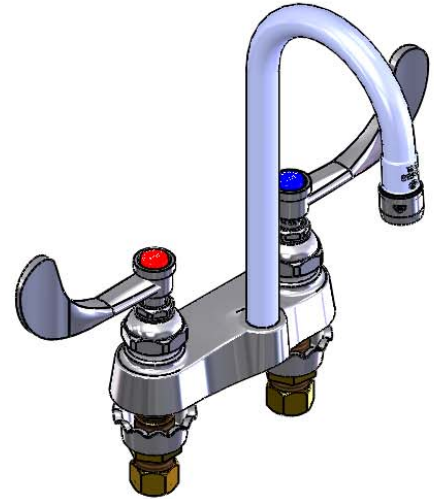
Customer/Wholesaler \_\_\_\_\_

Contractor \_\_\_\_\_

Architect/Engineer \_\_\_\_\_



**ADA Compliant**



**Note: Rough-in Requirements**  
(2)  $\phi$  1-1/8" Mounting Holes

Product Specifications:  
4" Centerset Mixing Faucet w/ 1/2" NPSM Male Shanks,  
Eterna Cartridges, 4" Wrist Action Handles,  
Rigid Gooseneck, & 2.2 GPM Aerator

Drawn JRM	Checked DMH	Approved JHB
Scale: 1:4		Date: 5/25/10



**T&S BRASS AND BRONZE WORKS, INC.**

2 Saddleback Cove / P.O. Box 1088  
Travelers Rest, SC 29690

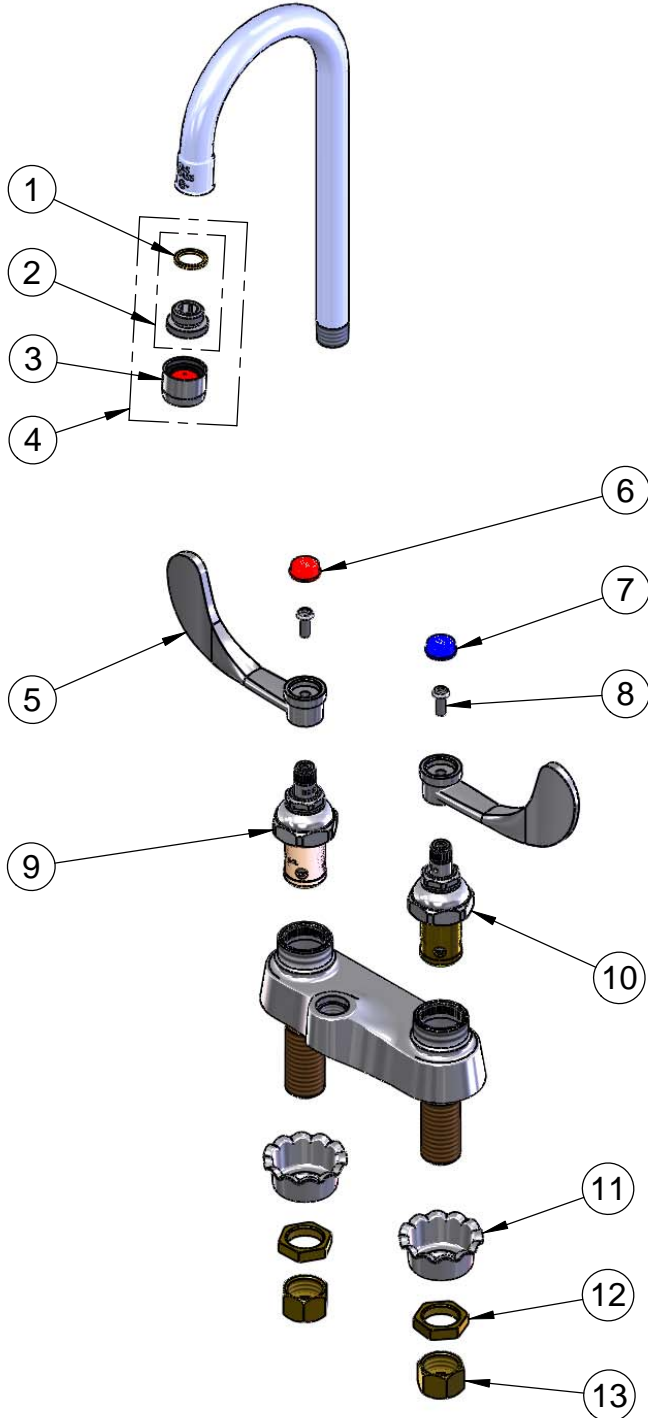


REG. #A2601  
ISO #9001

Model No.  
**B-0892-01**

Item No.

Travelers Rest, SC: 800-476-4103 Simi Valley, CA: 800-423-0150 Fax: 864-834-3518 www.tsbrass.com



ITEM NO.	SALES NO.	DESCRIPTION
1	001043-45	Washer
2	044A	3/8" to Aerator Adapter
3	B-0199-01	2.2 GPM Aerator, Female
4	B-0199-02	Aerator, 2.2 GPM, 3/8" NPSM
5	B-WH4	4" Wrist Action Handle
6	001194-45	Red HW Index
7	001686-45	Blue CW Index
8	000925-45	Lab Handle Screw
9	006010-40	Hot Spindle Asm
10	006009-40	Cold Spindle Asm
11	001000-45	Rosette Washer
12	002954-45	Shank Lock Nut
13	000958-20	Coupling Nut

Product Specifications:

4" Centerset Mixing Faucet w/ 1/2" NPSM Male Shanks,  
Eterna Cartridges, 4" Wrist Action Handles,  
Rigid Gooseneck, & 2.2 GPM Aerator

Drawn JRM	Checked DMH	Approved JHB
Scale: 1:4		Date: 5/25/10